



T&S BRASS AND BRONZE WORKS, INC.
 2 Saddleback Cove / P.O. Box 1088
 Travelers Rest, SC 29690

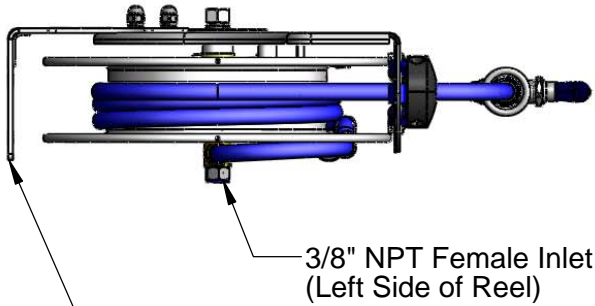
Model No.
B-7132-10

Item No.

Travelers Rest, SC: 800-476-4103 • Simi Valley, CA: 800-423-0150 • Fax: 864-834-3518 • www.tsbrass.com

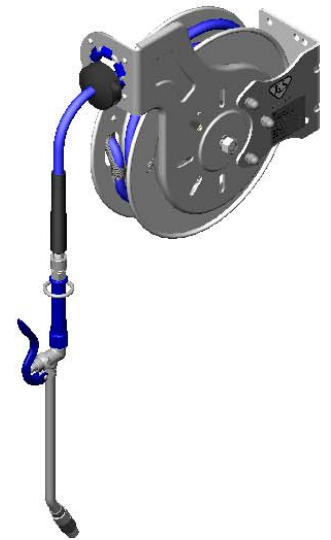
This Space for Architect/Engineer Approval

Job Name _____ Date _____
 Model Specified _____ Quantity _____
 Customer/Wholesaler _____
 Contractor _____
 Architect/Engineer _____

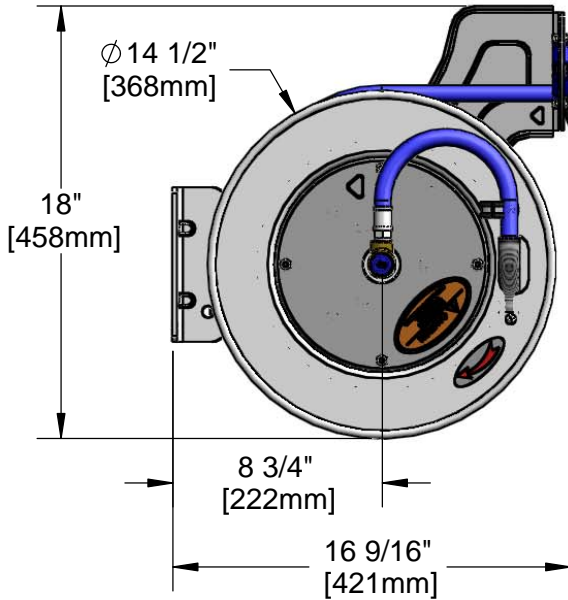


3/8" NPT Female Inlet
 (Left Side of Reel)

Open Stainless Steel Hose Reel;
 35 Ft. of 3/8" Hose



7 3/16"
 [182mm]



Ø 14 1/2"
 [368mm]

18"
 [458mm]

8 3/4"
 [222mm]

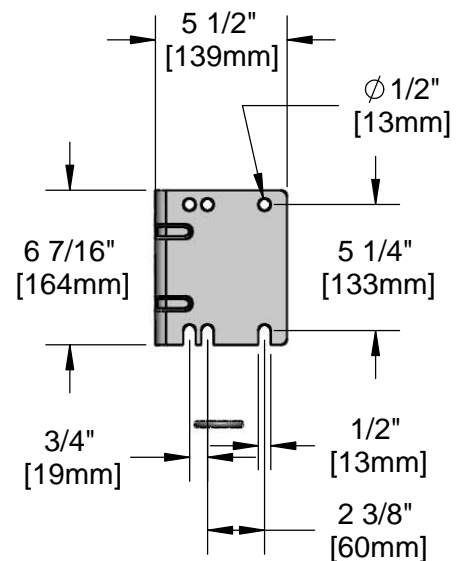
16 9/16"
 [421mm]



019652-40
 3/8" NPT
 Live Swivel

EB-2322
 Extended Spray Wand
 w/ Blue Spray Valve &
 Adjustable Spray Pattern Outlet

Mounting Hole Details



Product Specifications:
 3/8" x 35 Ft. Open Stainless Steel Reel
 w/ Extended Spray Wand & Blue Spray Valve & Swivel

Product Compliance:
 NSF 61 Exempt (Non-Potable)
 EPA Act 2005 Non-Compliant (PRSV)



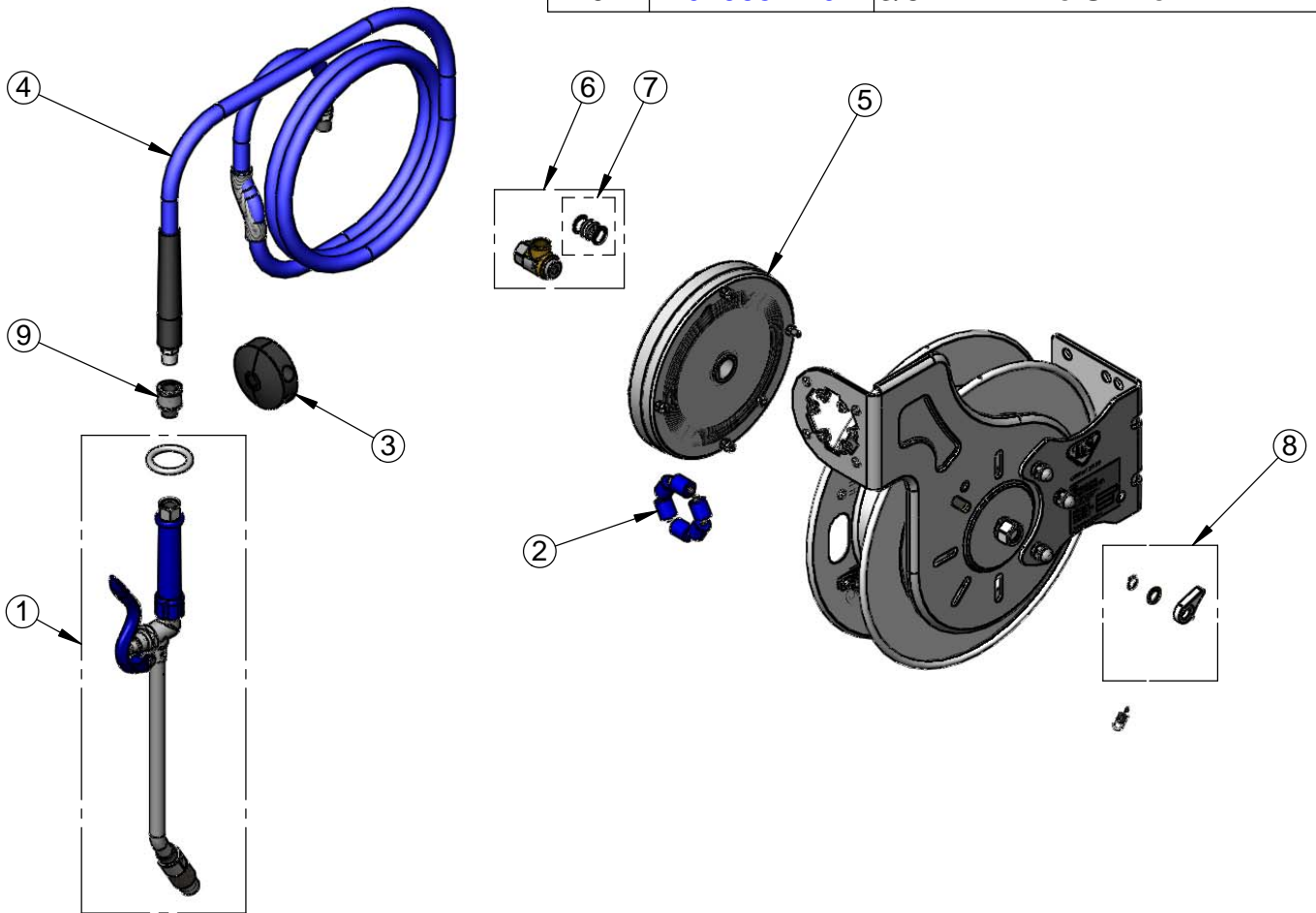
T&S BRASS AND BRONZE WORKS, INC.
 2 Saddleback Cove / P.O. Box 1088
 Travelers Rest, SC 29690

Model No.
B-7132-10

Item No.

Travelers Rest, SC: 800-476-4103 • Simi Valley, CA: 800-423-0150 • Fax: 864-834-3518 • www.tsbrass.com

ITEM NO.	SALES NO.	DESCRIPTION
1	EB-2322	Extended Wand Spray Valve
2	014938-45	Roller Assembly Repair Kit
3	014949-45	Hose Stop Repair Kit
4	014941-45	3/8" x 35' Hose Replacement Kit
5	014933-45	Small SS Spring Assembly Kit
6	014946-45	3/8" Swivel Repair Kit
7	014948-45	O-Ring Replacement Kit
8	014940-45	Ratchet Repair Kit
9	019652-40	3/8" NPT Live Swivel



Product Specifications:
 3/8" x 35 Ft. Open Stainless Steel Reel
 w/ Extended Spray Wand & Blue Spray Valve & Swivel

Product Compliance:
 NSF 61 Exempt (Non-Potable)
 EPA 2005 Non-Compliant (PRSV)