



T&S BRASS AND BRONZE WORKS, INC.
 2 Saddleback Cove / P.O. Box 1088
 Travelers Rest, SC 29690

Model No.
B-7122-C08H

Item No.

Travelers Rest, SC: 800-476-4103 • Simi Valley, CA: 800-423-0150 • Fax: 864-834-3518 • www.tsbrass.com

This Space for Architect/Engineer Approval

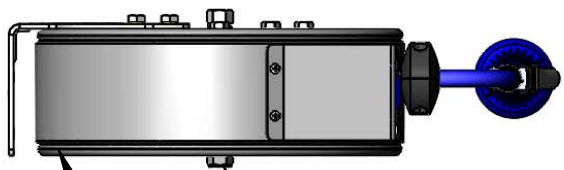
Job Name _____ Date _____

Model Specified _____ Quantity _____

Customer/Wholesaler _____

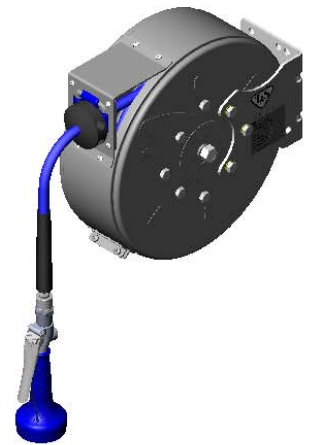
Contractor _____

Architect/Engineer _____

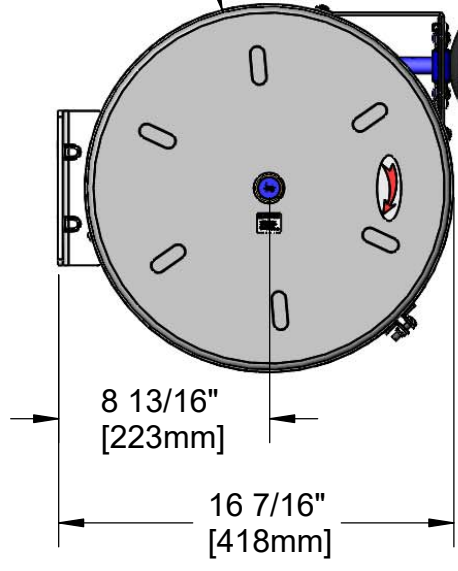


3/8" NPT Female Inlet
 (Left Side of Reel)

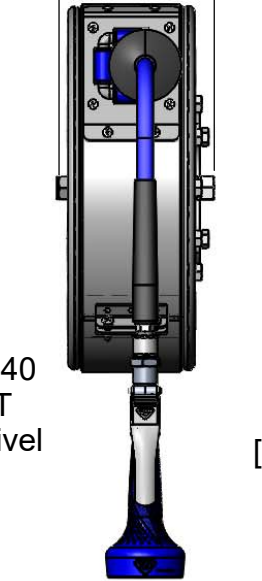
Enclosed Stainless Steel Hose Reel;
 30 Ft. of 3/8" Hose



Ø 15 3/8"
 [390mm]

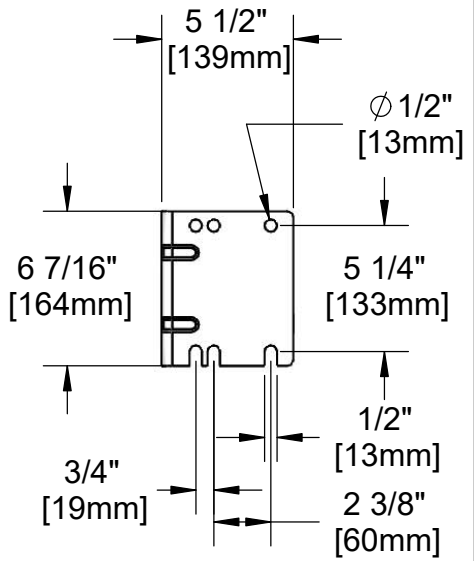


6 7/16"
 [164mm]



019652-40
 3/8" NPT
 Live Swivel

B-0108-H
 High Flow
 Spray Valve



Product Specifications:
 3/8" x 30' Enclosed Stainless Steel Reel with High Flow Spray Valve & Swivel

Product Compliance:
 NSF 61 Exempt (Non-Potable)
 2019 DOE PRSV Non-Compliant



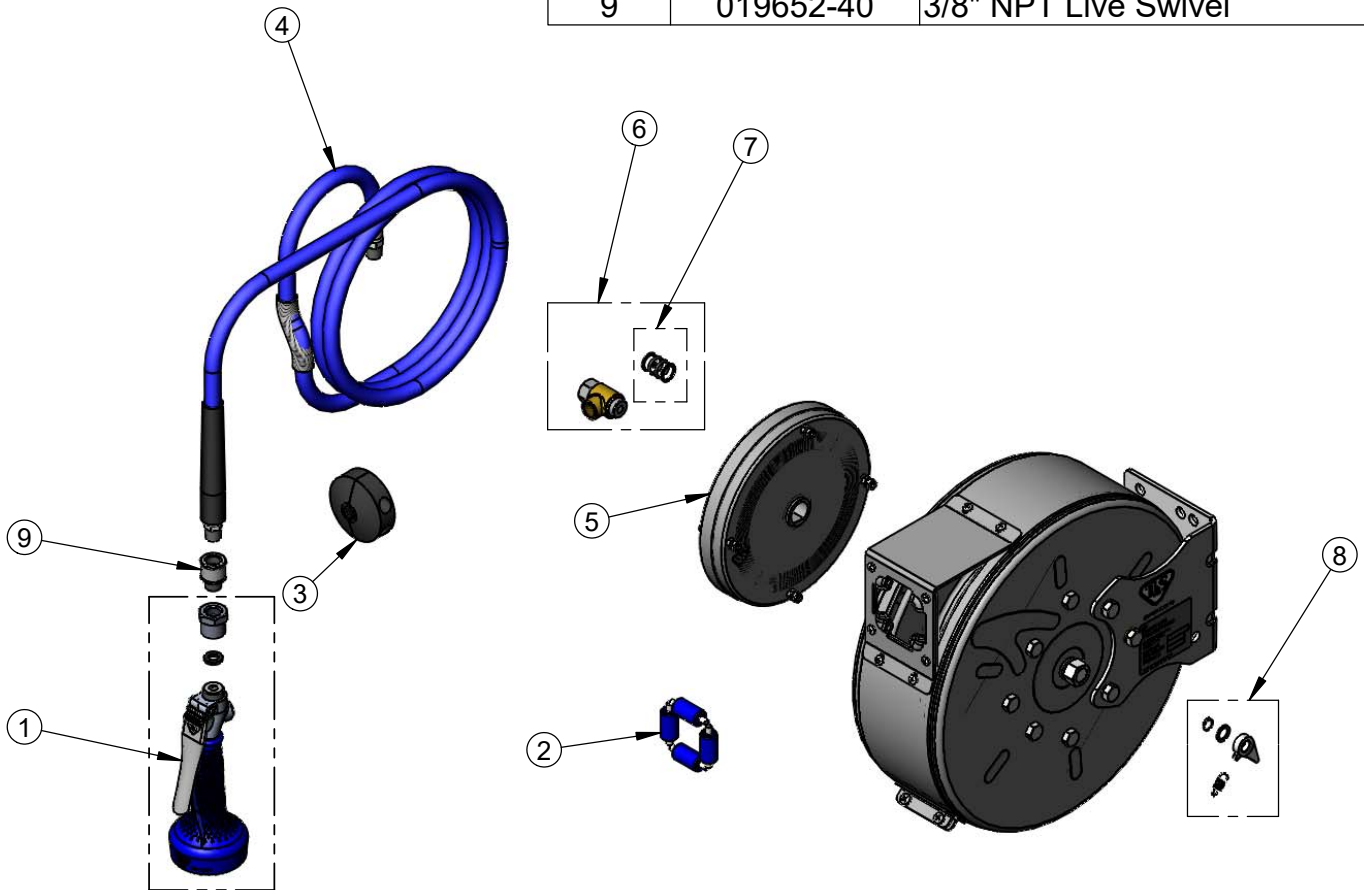
T&S BRASS AND BRONZE WORKS, INC.
 2 Saddleback Cove / P.O. Box 1088
 Travelers Rest, SC 29690

Model No.
B-7122-C08H

Item No.

Travelers Rest, SC: 800-476-4103 • Simi Valley, CA: 800-423-0150 • Fax: 864-834-3518 • www.tsbrass.com

ITEM NO.	SALES NO.	DESCRIPTION
1	B-0108-H	High Flow Spray Valve
2	014936-45	Roller Assembly Repair Kit
3	014949-45	Hose Stop Repair Kit
4	014943-45	3/8" X 30' Hose Replacement Kit
5	014933-45	Small SS Spring Assembly
6	014946-45	3/8" Swivel Repair Kit
7	014948-45	O-Ring Replacement Kit
8	014940-45	Ratchet Repair Kit
9	019652-40	3/8" NPT Live Swivel



Product Specifications:
 3/8" x 30' Enclosed Stainless Steel Reel with High Flow Spray Valve & Swivel

Product Compliance:
 NSF 61 Exempt (Non-Potable)
 2019 DOE PRSV Non-Compliant