



T&S BRASS AND BRONZE WORKS, INC.
 2 Saddleback Cove / P.O. Box 1088
 Travelers Rest, SC 29690

Model No.
B-7122-C01-PPB

Item No.

Travelers Rest, SC: 800-476-4103 • Simi Valley, CA: 800-423-0150 • Fax: 864-834-3518 • www.tsbrass.com

This Space for Architect/Engineer Approval

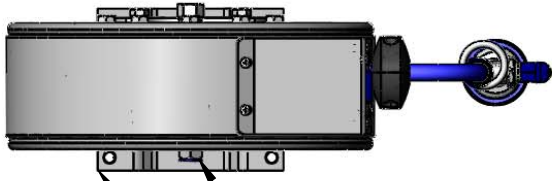
Job Name _____ Date _____

Model Specified _____ Quantity _____

Customer/Wholesaler _____

Contractor _____

Architect/Engineer _____

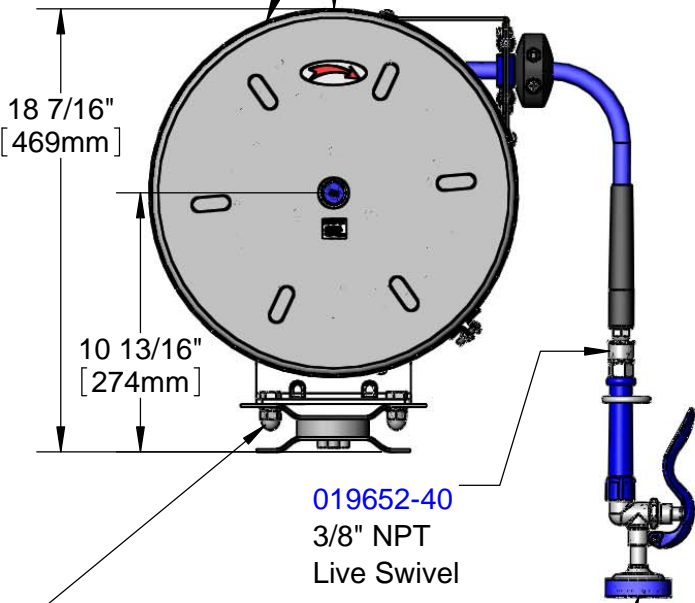


3/8" NPT Female Inlet
 (Left Side of Reel)

Epoxy Coated Deck Mount
 Pivot Bracket w/ 345° of
 Rotation

Enclosed Stainless
 Steel Hose Reel
 30' of 3/8" Hose

Ø 15 3/8"
 [390mm]



18 7/16"
 [469mm]

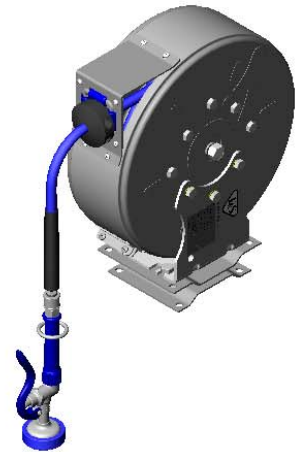
10 13/16"
 [274mm]

019652-40
 3/8" NPT
 Live Swivel

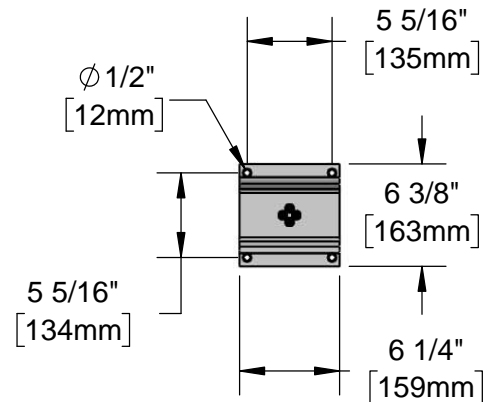
Mounting Hardware Included
 for Hose Reel to Bracket

EB-0107
 High Flow
 Spray Valve

6 7/16"
 [164mm]



Mounting Hole Details



Product Specifications:

3/8" x 30' Enclosed Stainless Steel Reel, High Flow Spray Valve w/ Swivel & 345 Degree Epoxy Coated Pivot Deck Mount Bracket w/ Mounting Hardware for Hose Reel to Bracket

Product Compliance:

NSF 61 Exempt (Non-Potable)
 EPAAct 2005 Non-Compliant (PRSV)



T&S BRASS AND BRONZE WORKS, INC.

2 Saddleback Cove / P.O. Box 1088
Travelers Rest, SC 29690

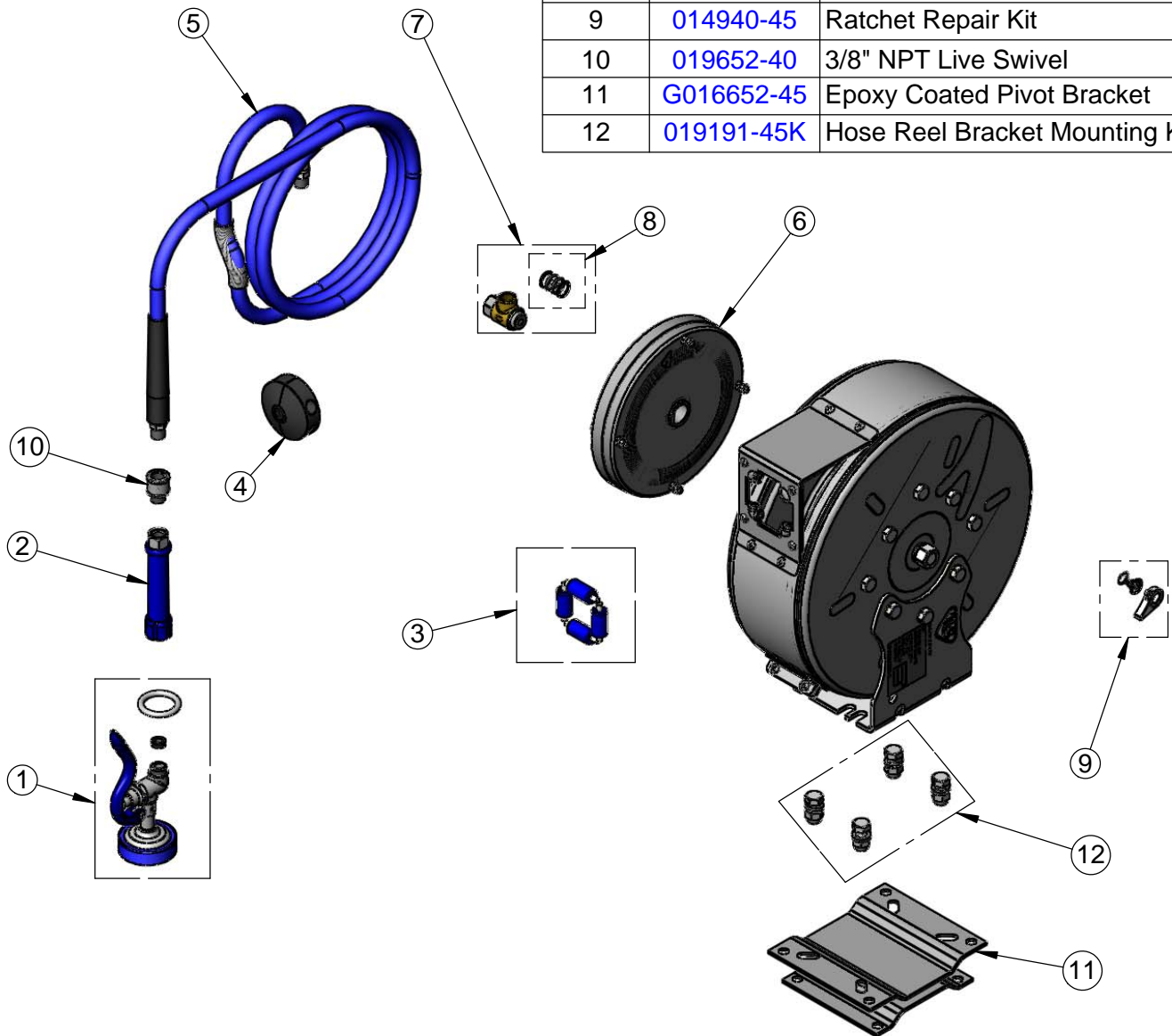
Model No.

B-7122-C01-PPB

Item No.

Travelers Rest, SC: 800-476-4103 • Simi Valley, CA: 800-423-0150 • Fax: 864-834-3518 • www.tsbrass.com

ITEM NO.	SALES NO.	DESCRIPTION
1	EB-0107	High Flow Spray Valve (Blue)
2	012504-40	Grip Handle (Blue) w/ Washer
3	014936-45	Roller Repair Kit
4	014949-45	Hose Stop Repair Kit
5	014943-45	3/8" x 30' Hose Replacement Kit
6	014933-45	Small Stainless Steel Spring
7	014946-45	3/8" Swivel Repair Kit
8	014948-45	O-Ring Replacement Kit
9	014940-45	Ratchet Repair Kit
10	019652-40	3/8" NPT Live Swivel
11	G016652-45	Epoxy Coated Pivot Bracket
12	019191-45K	Hose Reel Bracket Mounting Kit



Product Specifications:

3/8" x 30' Enclosed Stainless Steel Reel, High Flow Spray Valve w/ Swivel & 345 Degree Epoxy Coated Pivot Deck Mount Bracket w/ Mounting Hardware for Hose Reel to Bracket

Product Compliance:

NSF 61 Exempt (Non-Potable)
EPA Act 2005 Non-Compliant (PRSV)