



T&S BRASS AND BRONZE WORKS, INC.
 2 Saddleback Cove / P.O. Box 1088
 Travelers Rest, SC 29690

Model No.
B-7122-C01-ESB

Item No.

Travelers Rest, SC: 800-476-4103 • Simi Valley, CA: 800-423-0150 • Fax: 864-834-3518 • www.tsbrass.com

This Space for Architect/Engineer Approval

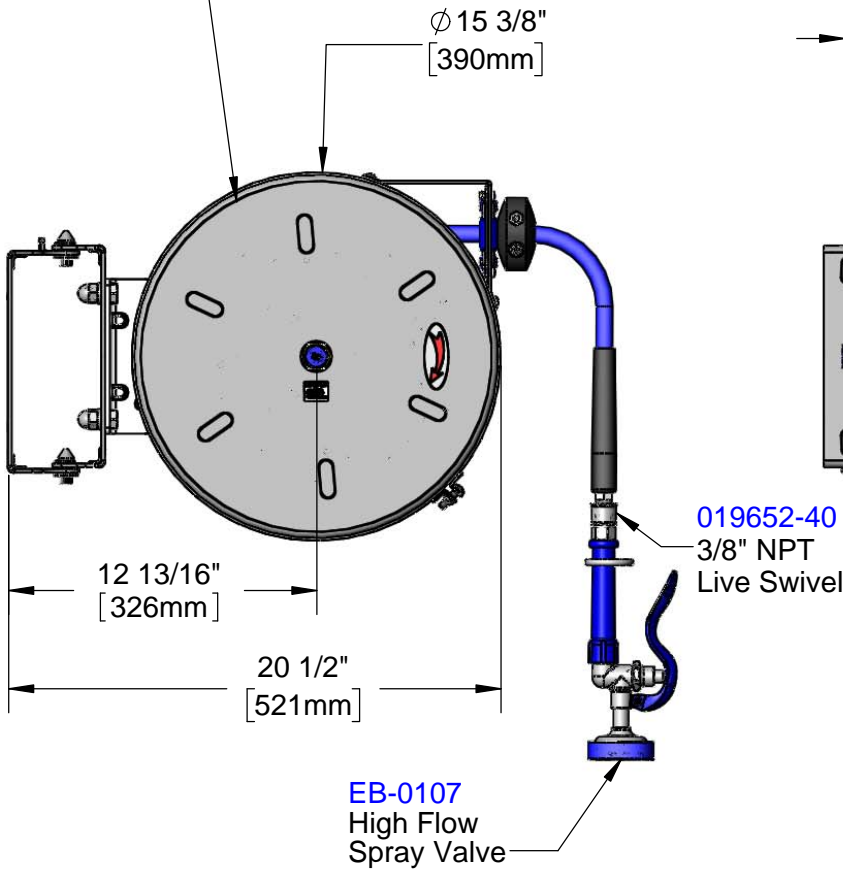
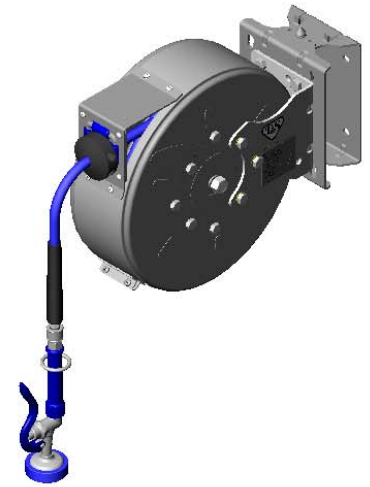
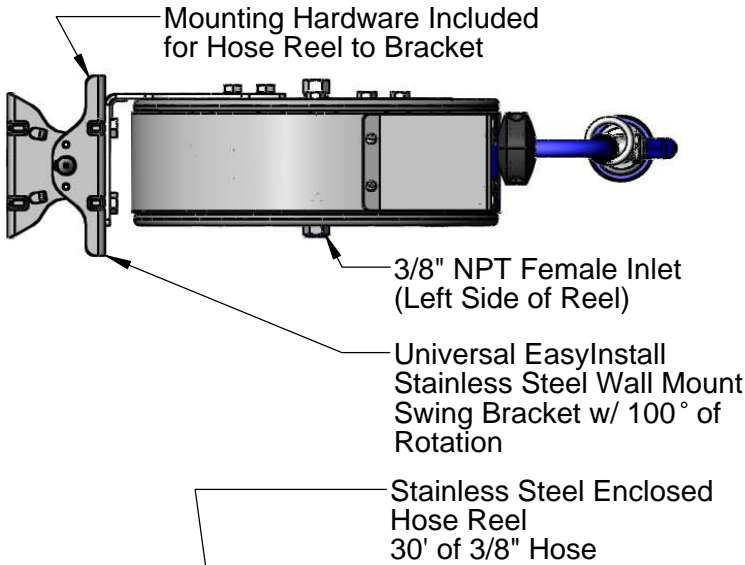
Job Name _____ Date _____

Model Specified _____ Quantity _____

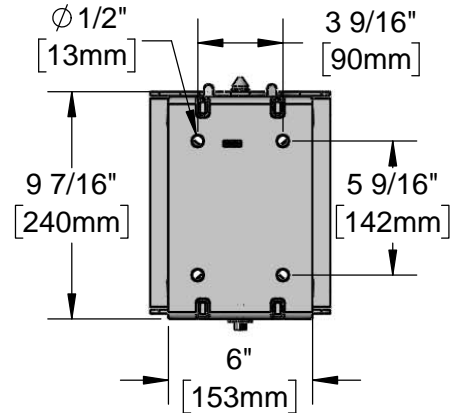
Customer/Wholesaler _____

Contractor _____

Architect/Engineer _____



Mounting Hole Details



Product Specifications:
 3/8" x 30' Stainless Steel Enclosed Reel, High Flow Spray Valve w/ swivel & 100 Degree EasyInstall Stainless Steel Swing Bracket w/ Reel-to-Bracket Mounting Hardware

Product Compliance:
 NSF 61 Exempt (Non-Potable)
 EPAAct 2005 Non-Compliant (PRSV)



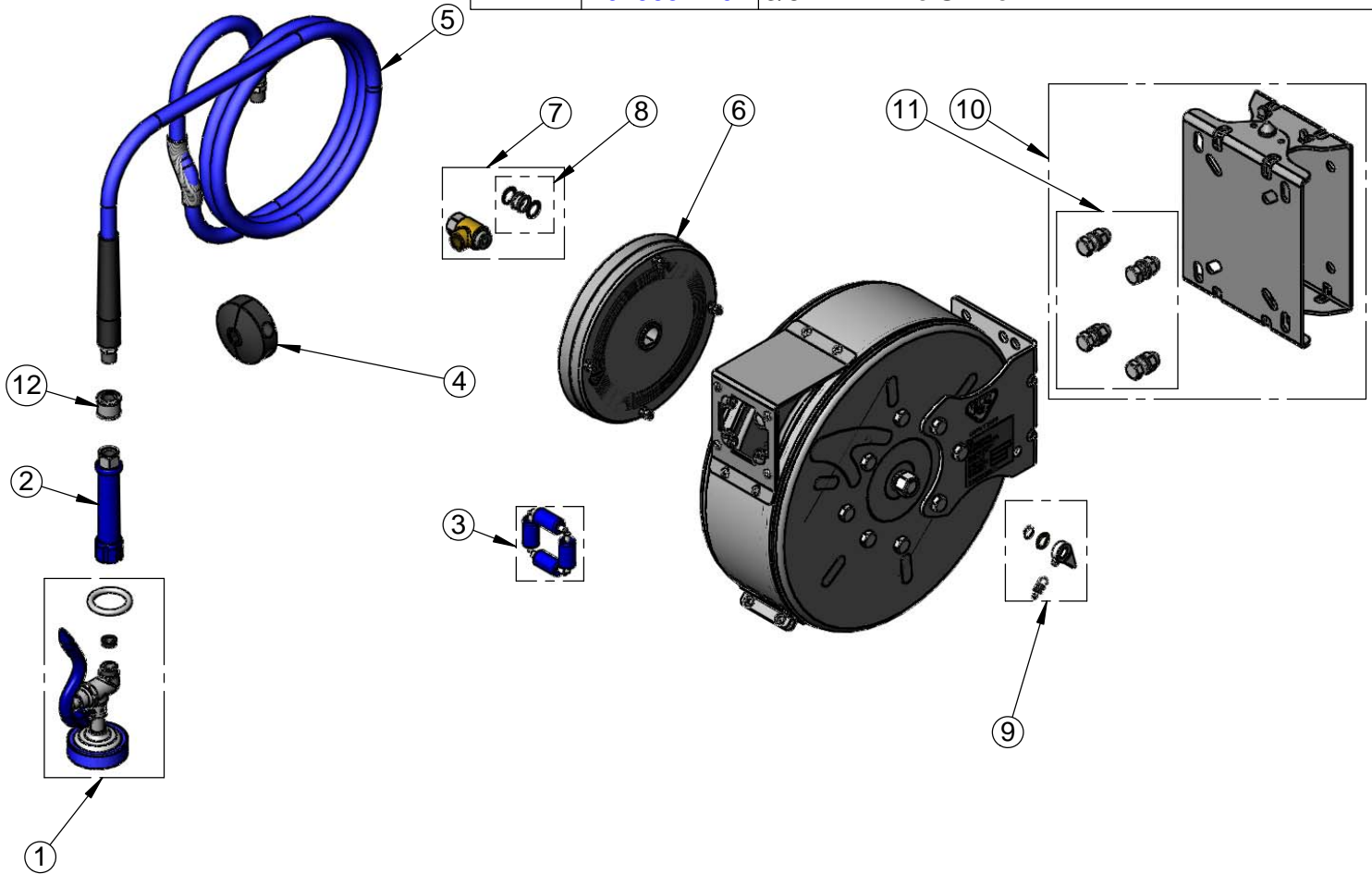
T&S BRASS AND BRONZE WORKS, INC.
 2 Saddleback Cove / P.O. Box 1088
 Travelers Rest, SC 29690

Model No.
B-7122-C01-ESB

Item No.

Travelers Rest, SC: 800-476-4103 • Simi Valley, CA: 800-423-0150 • Fax: 864-834-3518 • www.tsbrass.com

ITEM NO.	SALES NO.	DESCRIPTION
1	EB-0107	High Flow Spray Valve (Blue)
2	012504-40	Grip Handle (Blue) w/ Washer
3	014936-45	Roller Repair Kit
4	014949-45	Hose Stop Repair Kit
5	014943-45	3/8" x 30' Hose Replacement Kit
6	014933-45	Small Stainless Steel Spring
7	014946-45	3/8" Swivel Repair Kit
8	014948-45	O-Ring Replacement Kit
9	014940-45	Ratchet Repair Kit
10	G019430-45	Universal EasyInstall Stainless Steel Swing Bracket
11	019191-45K	Hose Reel Bracket Mounting Kit
12	019652-40	3/8" NPT Live Swivel



Product Specifications:
 3/8" x 30' Stainless Steel Enclosed Reel, High Flow Spray Valve w/ swivel & 100 Degree EasyInstall Stainless Steel Swing Bracket w/ Reel-to-Bracket Mounting Hardware

Product Compliance:
 NSF 61 Exempt (Non-Potable)
 EPA Act 2005 Non-Compliant (PRSV)