



T&S BRASS AND BRONZE WORKS, INC.
 2 Saddleback Cove / P.O. Box 1088
 Travelers Rest, SC 29690

Model No.
B-7102

Item No.

Travelers Rest, SC: 800-476-4103 • Simi Valley, CA: 800-423-0150 • Fax: 864-834-3518 • www.tsbrass.com

This Space for Architect/Engineer Approval

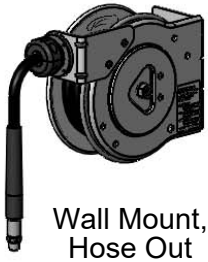
Job Name _____ Date _____

Model Specified _____ Quantity _____

Customer/Wholesaler _____

Contractor _____

Architect/Engineer _____



Wall Mount,
Hose Out

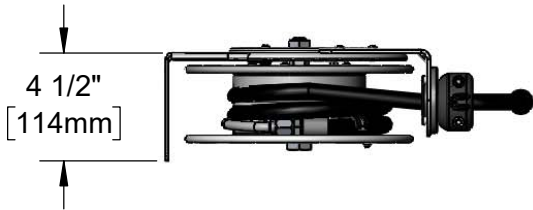


Under Counter,
Hose Out

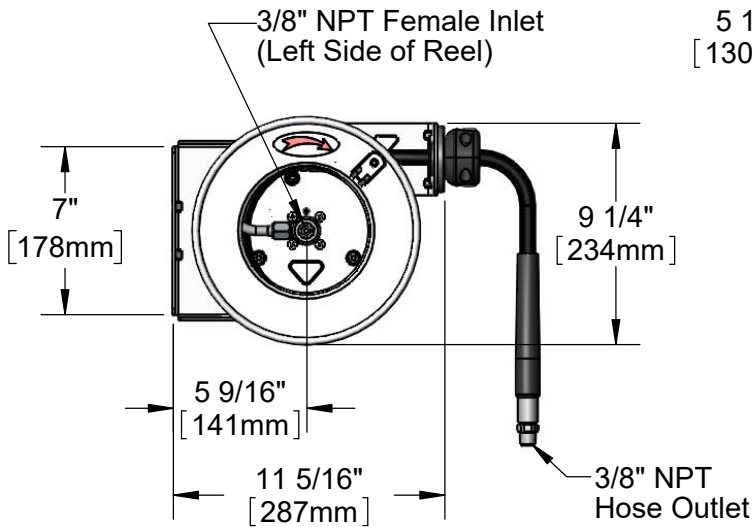


Wall Mount,
Hose Down

or
Under Counter,
Hose Down
(Default Configuration)



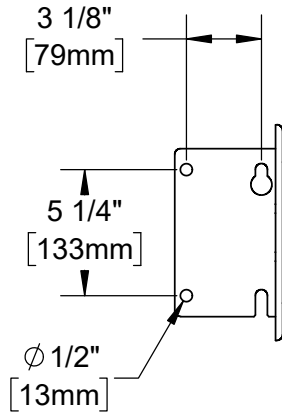
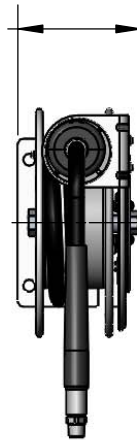
4 1/2"
[114mm]



3/8" NPT Female Inlet
(Left Side of Reel)

5 1/8"
[130mm]

3/8" NPT
Hose Outlet



Mounting Hole
Details

Product Specifications:

3/8" x 12' Open Stainless Steel Reel Less Spray Valve

Product Compliance:

NSF 61 Exempt (Non-Potable)



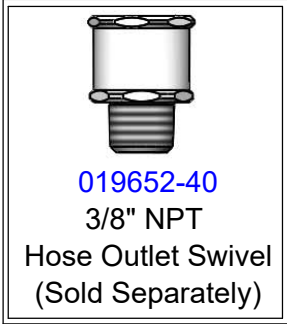
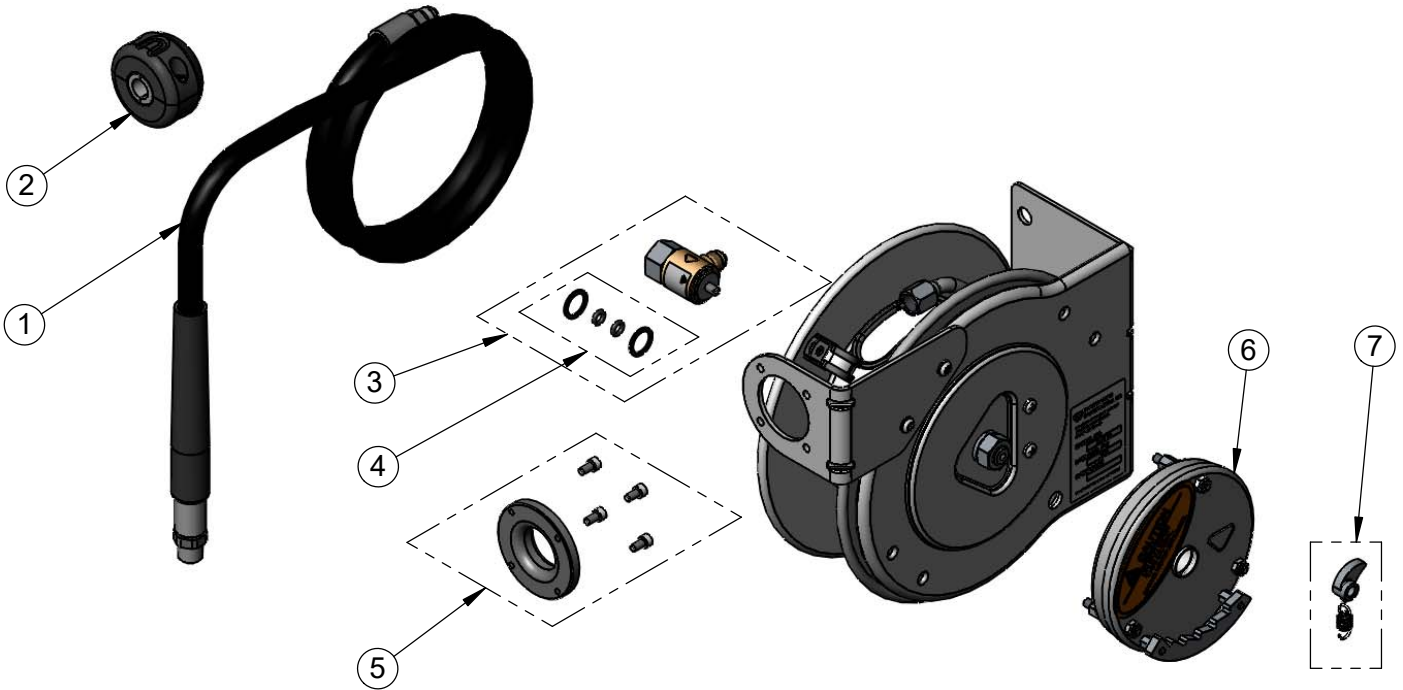
T&S BRASS AND BRONZE WORKS, INC.
 2 Saddleback Cove / P.O. Box 1088
 Travelers Rest, SC 29690

Model No.
B-7102

Item No.

Travelers Rest, SC: 800-476-4103 • Simi Valley, CA: 800-423-0150 • Fax: 864-834-3518 • www.tsbrass.com

ITEM NO.	SALES NO.	DESCRIPTION
1	017938-45	3/8" x 12' Hose Replacement Kit
2	019246-45	Hose Stop Repair Kit
3	017355-45	Swivel Repair Kit
4	014948-45	O-Ring Replacement Kit
5	017352-45	Guide Bushing
6	017362-45	Spring
7	017359-45	Ratchet Lever Kit



Product Specifications:
 3/8" x 12' Open Stainless Steel Reel Less Spray Valve

Product Compliance:
 NSF 61 Exempt (Non-Potable)