



**T&S BRASS AND BRONZE WORKS, INC.**  
 2 Saddleback Cove / P.O. Box 1088  
 Travelers Rest, SC 29690

Model No.  
**B-7102-08H**

Item No.

Travelers Rest, SC: 800-476-4103 • Simi Valley, CA: 800-423-0150 • Fax: 864-834-3518 • www.tsbrass.com

This Space for Architect/Engineer Approval

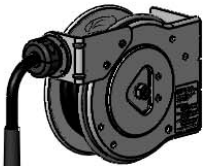
Job Name \_\_\_\_\_ Date \_\_\_\_\_

Model Specified \_\_\_\_\_ Quantity \_\_\_\_\_

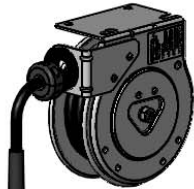
Customer/Wholesaler \_\_\_\_\_

Contractor \_\_\_\_\_

Architect/Engineer \_\_\_\_\_



Wall Mount,  
Hose Out

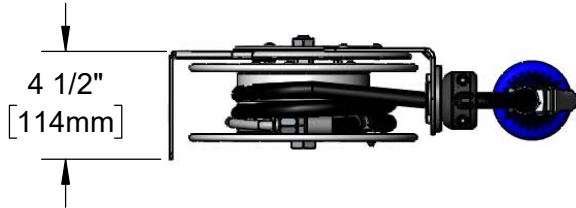


Under Counter,  
Hose Out

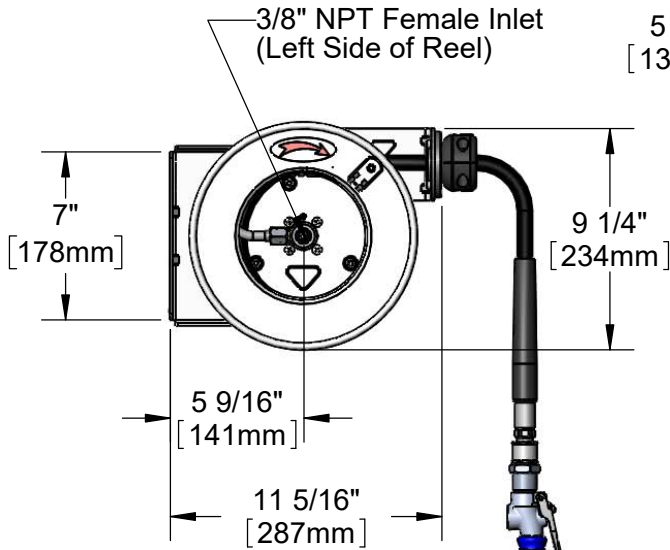


Wall Mount,  
Hose Down

or  
Under Counter,  
Hose Down  
(Default Configuration)

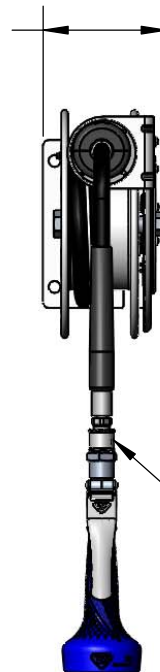


4 1/2"  
[114mm]

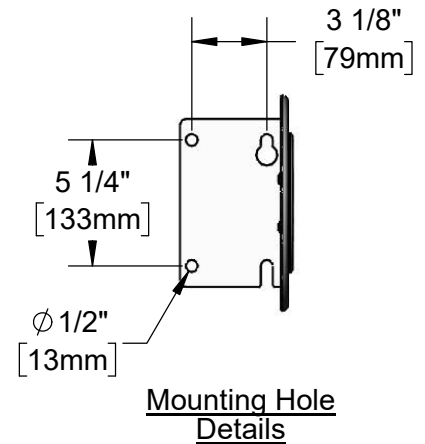


**B-0108-H**  
High Flow  
Spray Valve

5 1/8"  
[130mm]



**019652-40**  
3/8" NPT  
Live Swivel



Mounting Hole  
Details

Product Specifications:

3/8" x 12' Open Stainless Steel Reel w/ High Flow Spray Valve & Swivel

Product Compliance:

NSF 61 Exempt (Non-Potable)  
 2019 DOE PRSV Non-Compliant



# T&S BRASS AND BRONZE WORKS, INC.

2 Saddleback Cove / P.O. Box 1088  
Travelers Rest, SC 29690

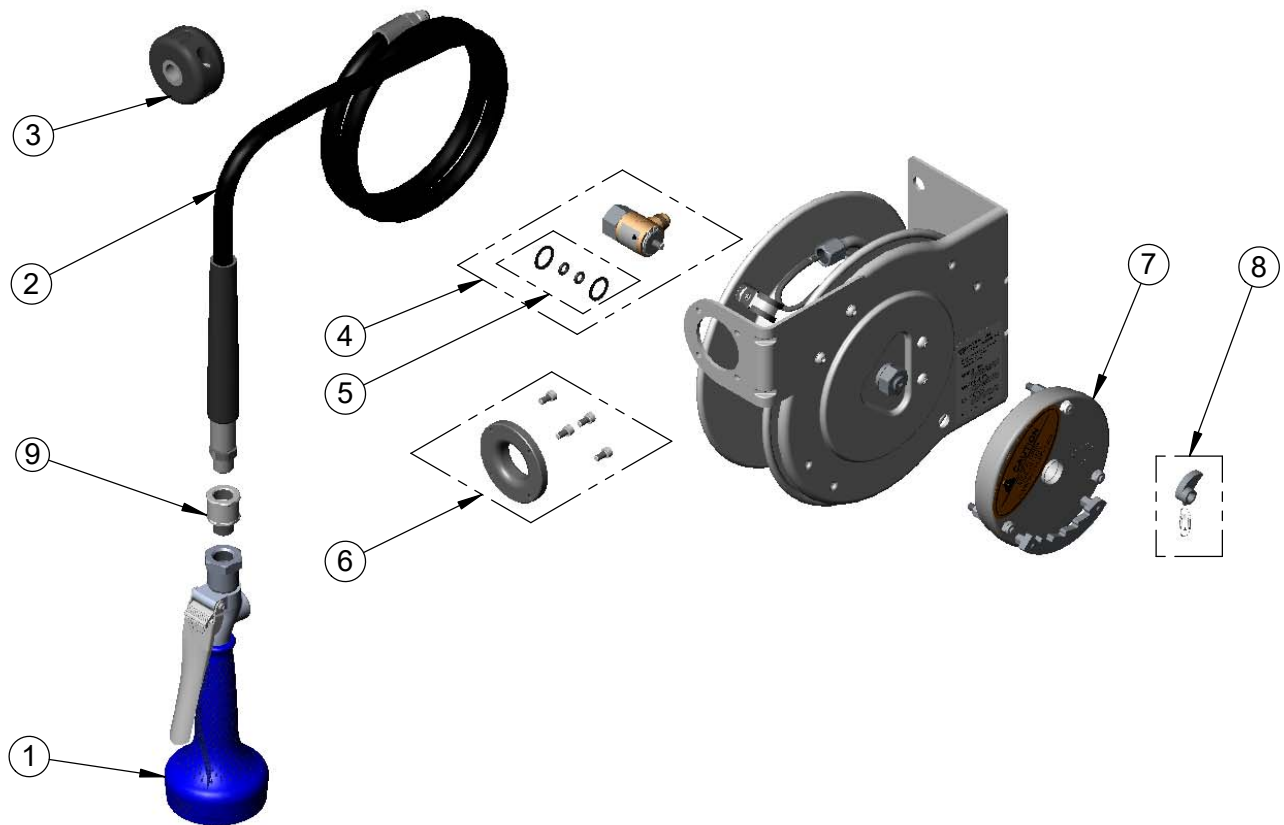
Model No.

**B-7102-08H**

Item No.

Travelers Rest, SC: 800-476-4103 • Simi Valley, CA: 800-423-0150 • Fax: 864-834-3518 • www.tsbrass.com

ITEM NO.	SALES NO.	DESCRIPTION
1	B-0108-H	High Flow Spray Valve
2	017938-45	3/8" x 12' Hose Replacement Kit
3	019246-45	Hose Stop Repair Kit
4	017355-45	Swivel Repair Kit
5	014948-45	O-Ring Replacement Kit
6	017352-45	Guide Bushing Kit
7	017362-45	Spring
8	017359-45	Ratchet Lever Kit
9	019652-40	3/8" NPT Live Swivel



**Product Specifications:**

3/8" x 12' Open Stainless Steel Reel w/ High Flow Spray Valve & Swivel

**Product Compliance:**

NSF 61 Exempt (Non-Potable)  
2019 DOE PRSV Non-Compliant