



**T&S BRASS AND BRONZE WORKS, INC.**  
 2 Saddleback Cove / P.O. Box 1088  
 Travelers Rest, SC 29690

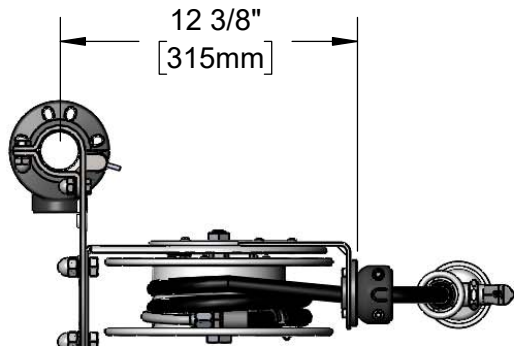
Model No.  
**B-7102-01M-STB**

Item No.

Travelers Rest, SC: 800-476-4103 • Simi Valley, CA: 800-423-0150 • Fax: 864-834-3518 • www.tsbrass.com

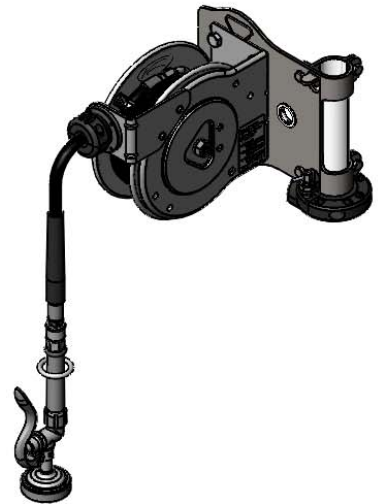
This Space for Architect/Engineer Approval

Job Name \_\_\_\_\_ Date \_\_\_\_\_  
 Model Specified \_\_\_\_\_ Quantity \_\_\_\_\_  
 Customer/Wholesaler \_\_\_\_\_  
 Contractor \_\_\_\_\_  
 Architect/Engineer \_\_\_\_\_



Mounting Hardware Included for Hose Reel to Bracket

Stainless Steel  $\phi$  1 5/8" Table Leg Mount Swing Bracket w/ 180° Multiple Locking Position Rotation

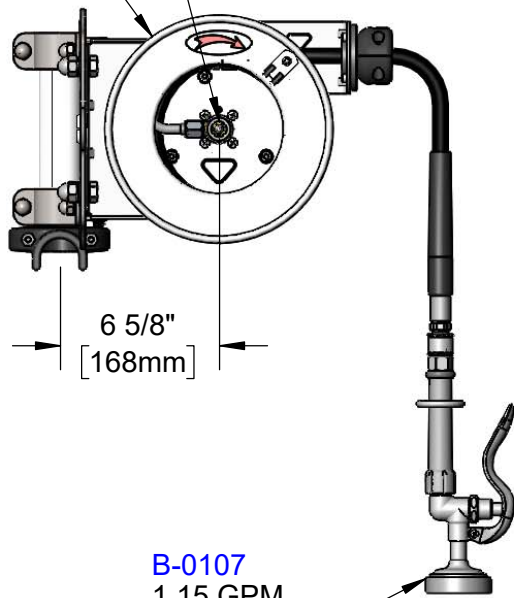


Bracket Can Be Mounted to Swing Either Left or Right

$\phi$  9 1/2" [241mm]

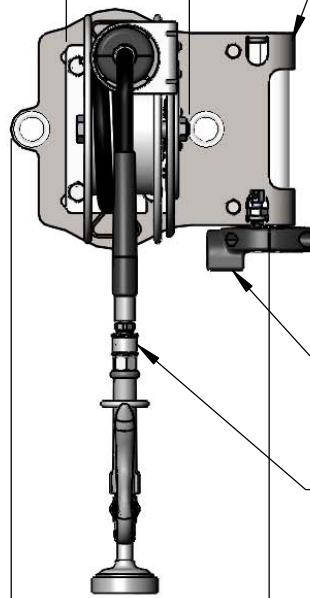
3/8" NPT Female Inlet (Left Side of Reel)

5 1/8" [130mm]



6 5/8" [168mm]

**B-0107**  
 1.15 GPM  
 Spray Valve



10 3/4" [273mm]

Must Have  $\phi$  1 5/8" Horizontal Support Attached to Table Leg

**019652-40**  
 3/8" NPT  
 Live Swivel

Product Specifications:

3/8" x 12' Open Stainless Steel Reel, 1.15 GPM Spray Valve w/ Swivel & 180° Stainless Steel Table Leg Multiple Locking Position Swing Bracket w/ Mounting Hardware for Hose Reel to Bracket

Product Compliance:

NSF 61 Exempt (Non-Potable)  
 2019 DOE PRSV - Class II



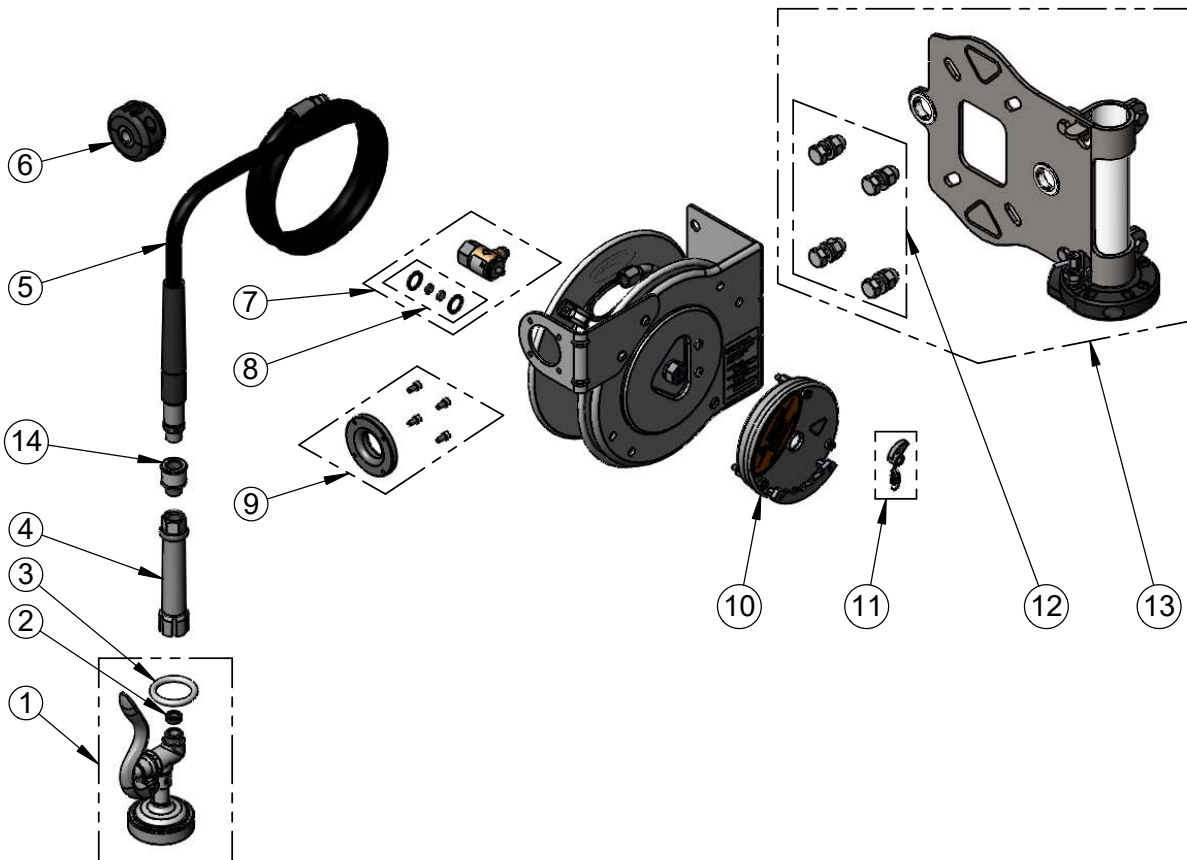
**T&S BRASS AND BRONZE WORKS, INC.**  
 2 Saddleback Cove / P.O. Box 1088  
 Travelers Rest, SC 29690

Model No.  
**B-7102-01M-STB**

Item No.

Travelers Rest, SC: 800-476-4103 • Simi Valley, CA: 800-423-0150 • Fax: 864-834-3518 • www.tsbrass.com

ITEM NO.	SALES NO.	DESCRIPTION
1	B-0107	1.15 GPM Spray Valve
2	010476-45	#27 Washer
3	000907-45	Spray Valve Hold Down Ring
4	002881-40	Grip Handle
5	017938-45	12 FT of 5/8" OD x 3/8" ID Hose
6	019246-45	Hose Stop Repair Kit
7	017355-45	Swivel Repair Kit
8	014948-45	O-Ring Replacement Kit
9	017352-45	Guide Bushing Kit
10	017362-45	Spring
11	017359-45	Ratchet Lever Kit
12	019191-45K	Hose Reel Bracket Mounting Kit
13	G018477-45	Stainless Steel Table Leg Swing Bracket
14	019652-40	3/8" NPT Live Swivel



**Product Specifications:**

3/8" x 12' Open Stainless Steel Reel, 1.15 GPM Spray Valve w/ Swivel & 180° Stainless Steel Table Leg Multiple Locking Position Swing Bracket w/ Mounting Hardware for Hose Reel to Bracket

**Product Compliance:**

NSF 61 Exempt (Non-Potable)  
 2019 DOE PRSV - Class II