



T&S BRASS AND BRONZE WORKS, INC.
 2 Saddleback Cove / P.O. Box 1088
 Travelers Rest, SC 29690

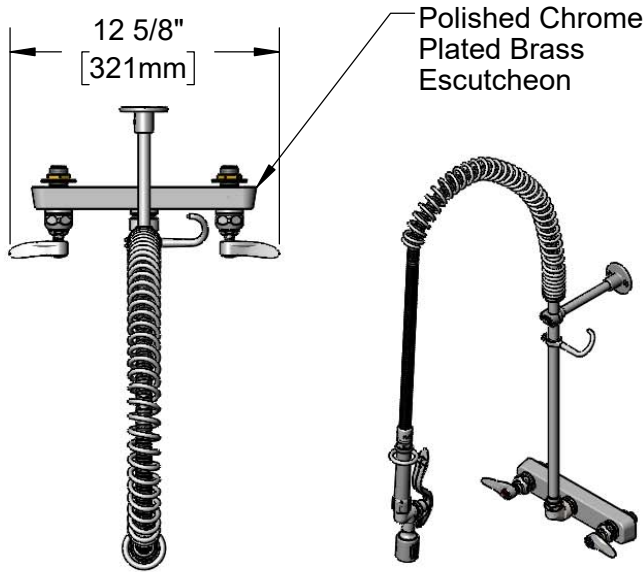
Model No.
B-5125-BJ

Item No.

Travelers Rest, SC: 800-476-4103 • Simi Valley, CA: 800-423-0150 • Fax: 864-834-3518 • www.tsbrass.com

This Space for Architect/Engineer Approval

Job Name _____ Date _____
 Model Specified _____ Quantity _____
 Customer/Wholesaler _____
 Contractor _____
 Architect/Engineer _____



44" Flexible Stainless Steel Hose w/ Spring & Spray Valve

Items Not Shown For Clarity

Finger Hook

3/8" NPT x 18" Riser

B-0107-J
 1.07 GPM Spray Valve

B-0109-01
 6" Wall Bracket

33 3/16"
 [843mm]

EasyInstall Lock Nut & Bushing

Mounting Surface

1/2" NPT Male Inlets

3 9/16"
 [91mm]

14 1/16"
 [357mm]

1/4"
 [6mm]
 Maximum Thickness

8"
 [203mm]

Quarter-Turn Eterna Cartridges w/ Spring Checks & Lever Handles w/ Color Coded Indexes

Product Specifications:

Pre-Rinse Unit: EasyInstall 8" Wall Mount Workboard Faucet, Quarter-Turn Eterna Cartridges w/ Spring Checks, Lever Handles, 44" Flexible Stainless Steel Hose, 1.07 GPM Spray Valve, 6" Wall Bracket & 1/2" NPT Male Inlets

Product Compliance:

ASME A112.18.1 / CSA B125.1
 NSF 61 - Section 9
 NSF 372 (Low Lead Content)
 2019 DOE PRSV - Class II



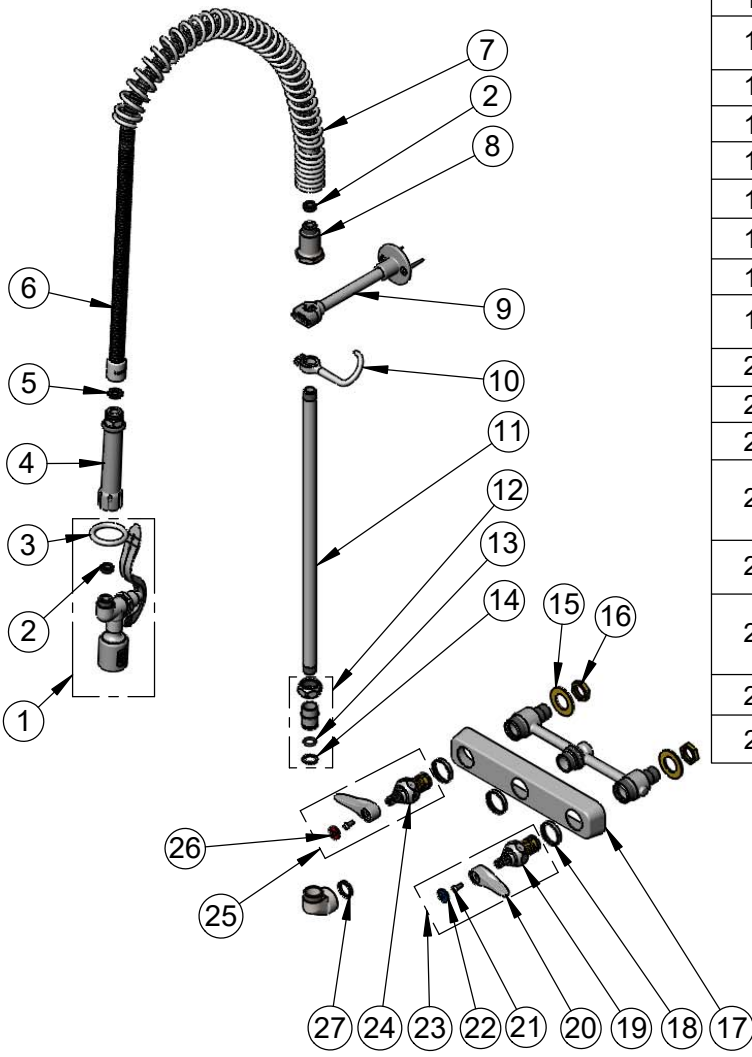
T&S BRASS AND BRONZE WORKS, INC.
 2 Saddleback Cove / P.O. Box 1088
 Travelers Rest, SC 29690

Model No.
B-5125-BJ

Item No.

Travelers Rest, SC: 800-476-4103 • Simi Valley, CA: 800-423-0150 • Fax: 864-834-3518 • www.tsbrass.com

ITEM NO.	SALES NO.	DESCRIPTION
1	B-0107-J	1.07 GPM Spray Valve
2	010476-45	#27 Washer
3	000907-45	Spray Valve Hold Down Ring
4	002987-40	Grip Handle
5	001014-45	Washer, B-0100 Hose Barrel
6	B-0044-H2A	44" Stainless Steel Flex Hose, Less Handle
7	000888-45	EasyInstall Overhead Spring
8	000821-40	Spring Body
9	B-0109-01	6" Wall Bracket
10	004R	Finger Hook
11	000369-40	3/8" NPT x 18" Riser
12	EZ-K	EasyInstall Kit: Nut, Bushing, O-ring & Lock Washer
13	001065-45	O-Ring
14	014200-45	Star Washer, Anti-Rotation
15	000999-45	Brass Lock Washer
16	002954-45	Shank Lock Nut
17	019612-40	8" c/c Brass Escutcheon
18	019376-40	Escutcheon Lock Nut
19	012443-40NS	Quarter-Turn Eterna Cartridge, RTC w/ Spring Check
20	001638-45NS	Lever Handle (New Style)
21	000925-45	Lab Handle Screw
22	018506-19NS	Blue Button Index, Press-in
23	019639-40	Quarter-Turn Eterna Cartridge, RTC w/ Spring Check, Lever Handle, Blue Index & Screw
24	012442-40NS	Quarter-Turn Eterna Cartridge, LTC w/ Spring Check
25	019638-40	Quarter-Turn Eterna Cartridge, LTC w/ Spring Check, Lever Handle, Red Index & Screw
26	001193-19NS	Red Button Index, Press-in
27	001040-45	Washer, 3/4 ID x 15/16 OD x 1/8 thick



Product Specifications:
 Pre-Rinse Unit: EasyInstall 8" Wall Mount Workboard Faucet, Quarter-Turn Eterna Cartridges w/ Spring Checks, Lever Handles, 44" Flexible Stainless Steel Hose, 1.07 GPM Spray Valve, 6" Wall Bracket & 1/2" NPT Male Inlets

Product Compliance:
 ASME A112.18.1 / CSA B125.1
 NSF 61 - Section 9
 NSF 372 (Low Lead Content)
 2019 DOE PRSV - Class II