



**T&S BRASS AND BRONZE WORKS, INC.**  
 2 Saddleback Cove / P.O. Box 1088  
 Travelers Rest, SC 29690

Model No.

**B-3970-VR**

Item No.

Travelers Rest, SC: 800-476-4103 • Simi Valley, CA: 800-423-0150 • Fax: 864-834-3518 • www.tsbrass.com

This Space for Architect/Engineer Approval

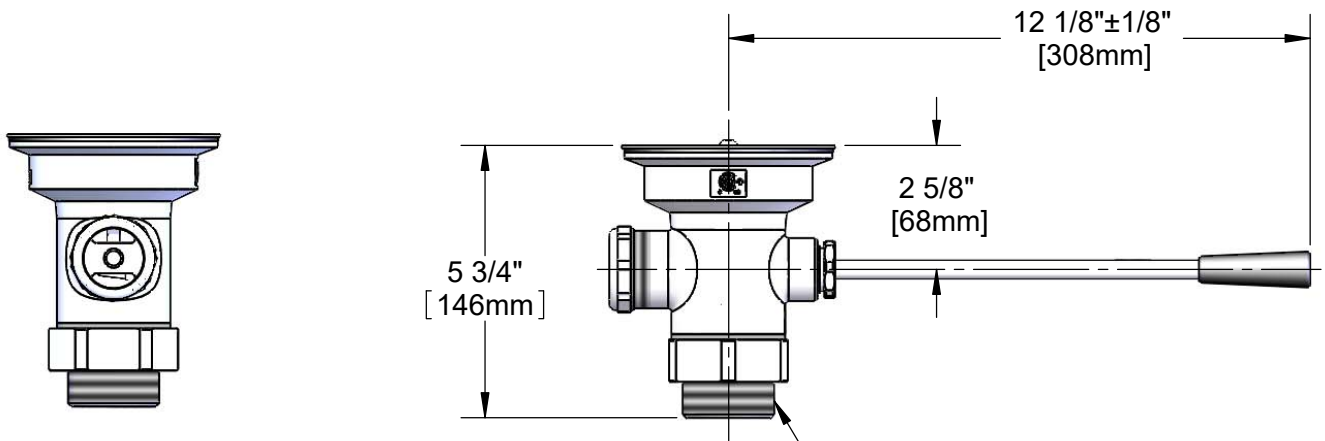
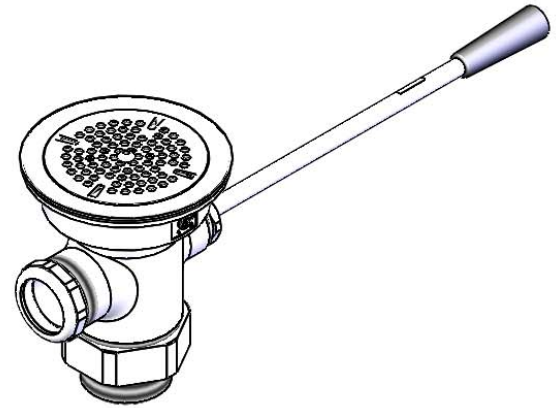
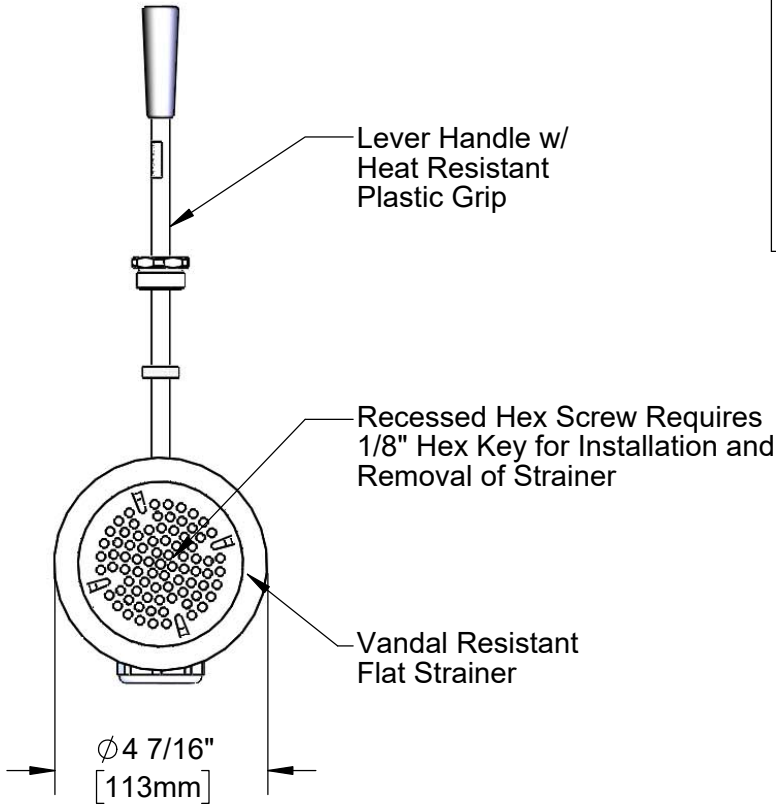
Job Name \_\_\_\_\_ Date \_\_\_\_\_

Model Specified \_\_\_\_\_ Quantity \_\_\_\_\_

Customer/Wholesaler \_\_\_\_\_

Contractor \_\_\_\_\_

Architect/Engineer \_\_\_\_\_



Adapter Converts 2" NPT  
Male to 1-1/2" NPT Male.  
Remove Adapter When 2"  
NPT Male Thread is Needed.

Product Specifications:

Waste Drain Valve w/ Lever Handle, 3 1/2" Sink Opening,  
2" NPT Male Outlet & 1-1/2" NPT Male Adapter, & Vandal  
Resistant Flat Strainer

Product Compliance:

ASME A112.18.2 / CSA B125.2



# T&S BRASS AND BRONZE WORKS, INC.

2 Saddleback Cove / P.O. Box 1088  
Travelers Rest, SC 29690

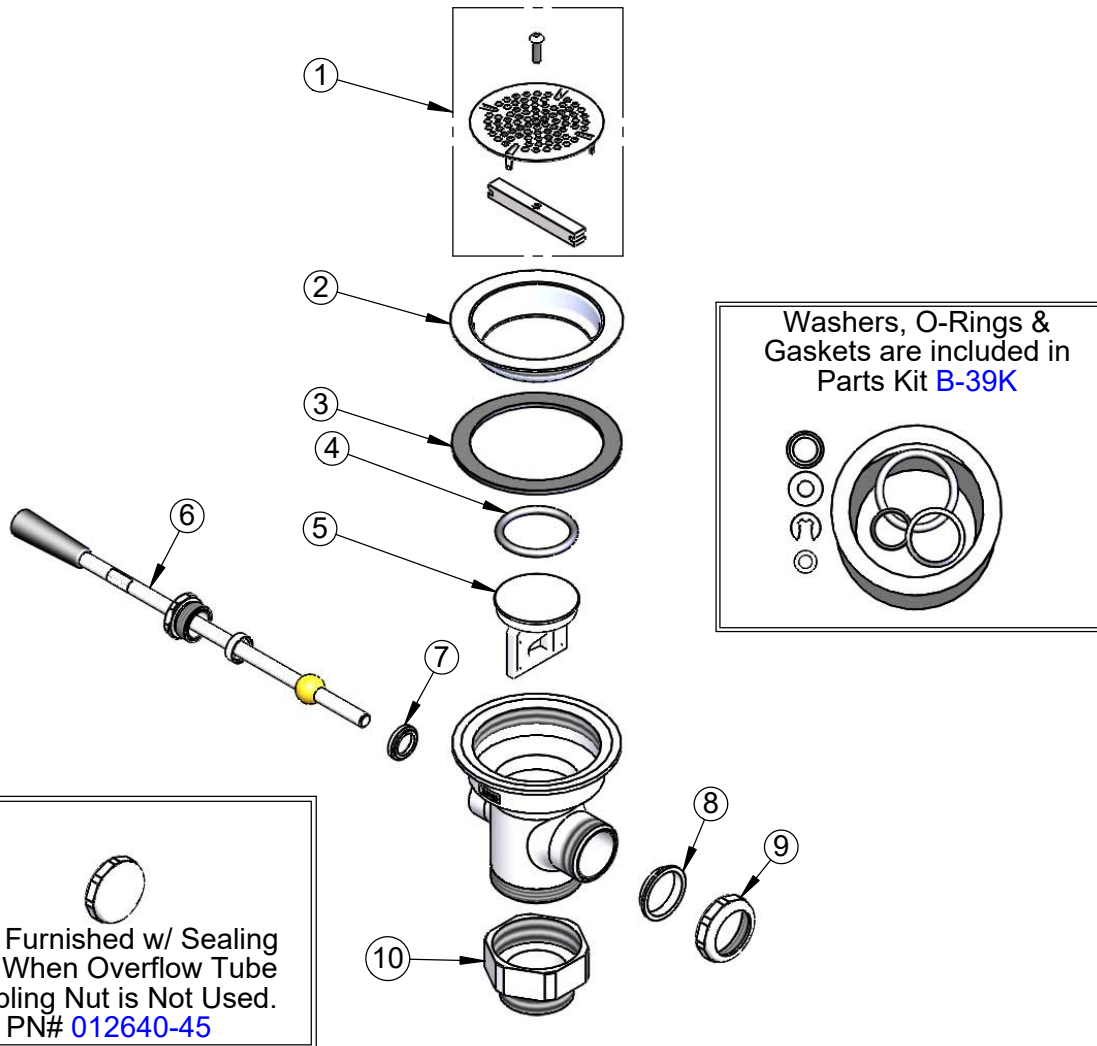
Model No.

**B-3970-VR**

Item No.

Travelers Rest, SC: 800-476-4103 • Simi Valley, CA: 800-423-0150 • Fax: 864-834-3518 • www.tsbrass.com

ITEM NO.	SALES NO.	DESCRIPTION
1	010386-45VR	Vandal Resistant Locking Flat Strainer, 3 1/2"
2	010384-45	Flange, 3 1/2" Face
3	010382-45	Gasket, 3 1/2" Face Flange
4	010389-45	O-Ring, Plunger
5	010388-45	Plunger, Lever and Twist Drain
6	010394-45	Handle Asm, Waste Drain Valve Lever
7	010392-45	Bushing, Waste Drain Lever Handle
8	010390-45	Ferrule, Coupling Nut
9	010391-45	Nut, Coupling for Twist Drain
10	B-3945	Adapter, 2" NPT x 1 1/2" NPT



**Product Specifications:**

Waste Drain Valve w/ Lever Handle, 3 1/2" Sink Opening,  
2" NPT Male Outlet & 1-1/2" NPT Male Adapter, & Vandal  
Resistant Flat Strainer

**Product Compliance:**

ASME A112.18.2 / CSA B125.2