



T&S BRASS AND BRONZE WORKS, INC.
 2 Saddleback Cove / P.O. Box 1088
 Travelers Rest, SC 29690

Model No.

B-3970-01

Item No.

Travelers Rest, SC: 800-476-4103 • Simi Valley, CA: 800-423-0150 • Fax: 864-834-3518 • www.tsbrass.com

This Space for Architect/Engineer Approval

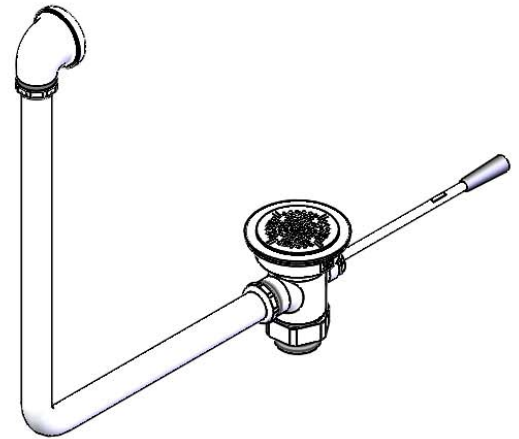
Job Name _____ Date _____

Model Specified _____ Quantity _____

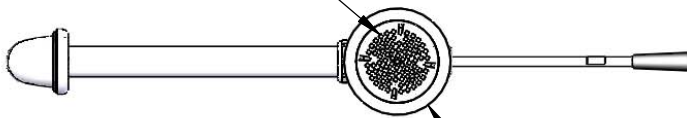
Customer/Wholesaler _____

Contractor _____

Architect/Engineer _____



Removable
Snap-In Strainer

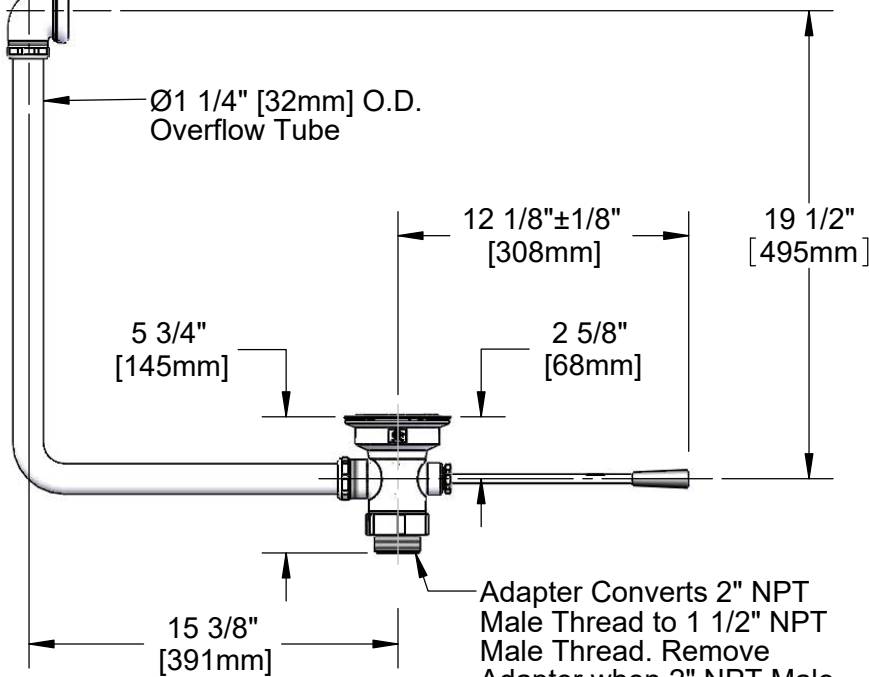


Ø4 7/16"
[113mm]

Ø2 11/16"
[68mm]

Ø1 1/4" [32mm] O.D.
Overflow Tube

Ø2" [51mm]
Opening Required



Adapter Converts 2" NPT
Male Thread to 1 1/2" NPT
Male Thread. Remove
Adapter when 2" NPT Male
Thread is Needed.

Product Specifications:

Waste Drain Valve w/ Lever Handle, 3 1/2" Sink Opening, 2" NPT Male Outlet, 1 1/2" NPT Male Adapter, Overflow Tube & Head

Product Compliance:

ASME A112.18.2 / CSA B125.2



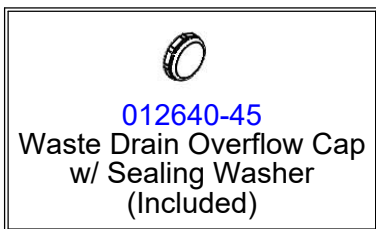
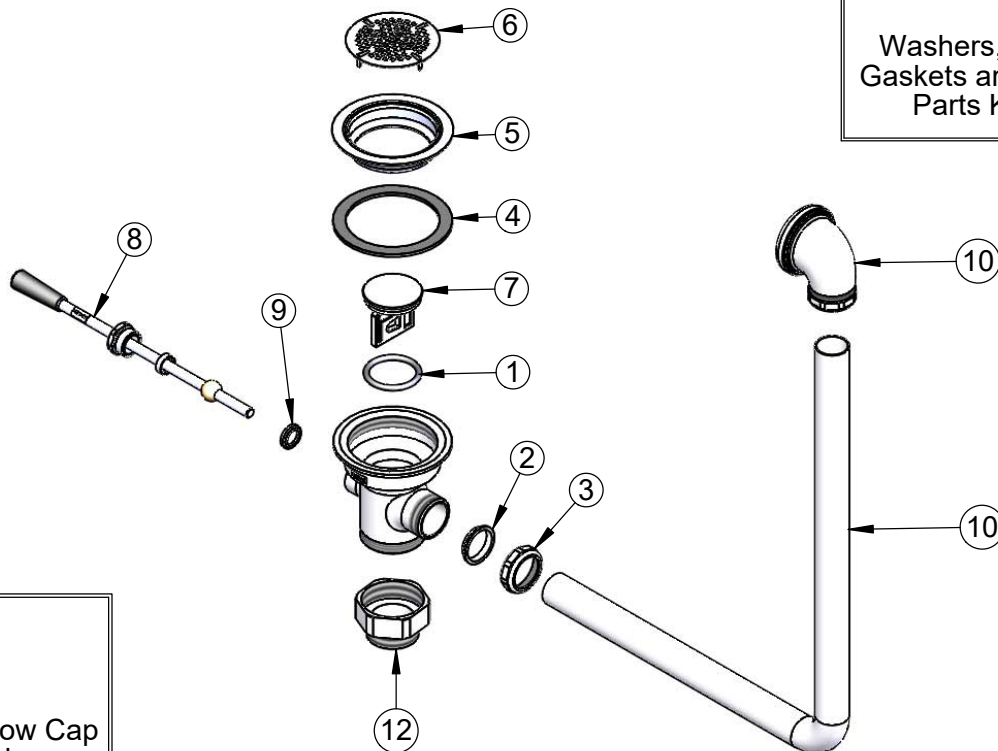
T&S BRASS AND BRONZE WORKS, INC.
 2 Saddleback Cove / P.O. Box 1088
 Travelers Rest, SC 29690

Model No.
B-3970-01

Item No.

Travelers Rest, SC: 800-476-4103 • Simi Valley, CA: 800-423-0150 • Fax: 864-834-3518 • www.tsbrass.com

ITEM NO.	SALES NO.	DESCRIPTION
1	010389-45	O-Ring, Plunger
2	010390-45	Ferrule, Coupling Nut
3	010391-45	Nut, Coupling for Twist Drain
4	010382-45	Gasket, 3 1/2" Face Flange
5	010384-45	Flange, 3 1/2" Face
6	010386-45	Strainer, 3 1/2" Snap-in Removable
7	010388-45	Plunger, Lever and Twist Drain
8	010394-45	Handle, Waste Drain Valve Lever
9	010392-45	Bushing, Waste Drain Lever Handle
10	011355-45	Tube, Overflow Elbow
11	011356-45	Head, Overflow Tube
12	B-3945	Adapter, 2" NPT x 1 1/2" NPT



Product Specifications:
 Waste Drain Valve w/ Lever Handle, 3 1/2" Sink Opening, 2" NPT Male Outlet,
 1 1/2" NPT Male Adapter, Overflow Tube & Head

Product Compliance:
 ASME A112.18.2 / CSA B125.2