



**T&S BRASS AND BRONZE WORKS, INC.**  
 2 Saddleback Cove / P.O. Box 1088  
 Travelers Rest, SC 29690

Model No.

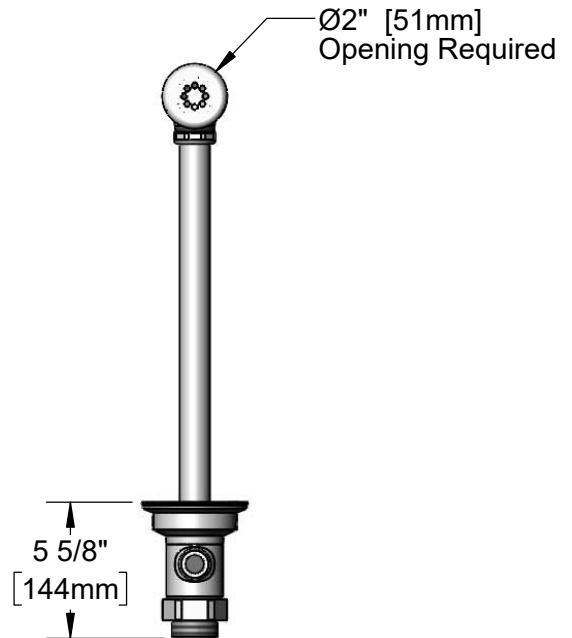
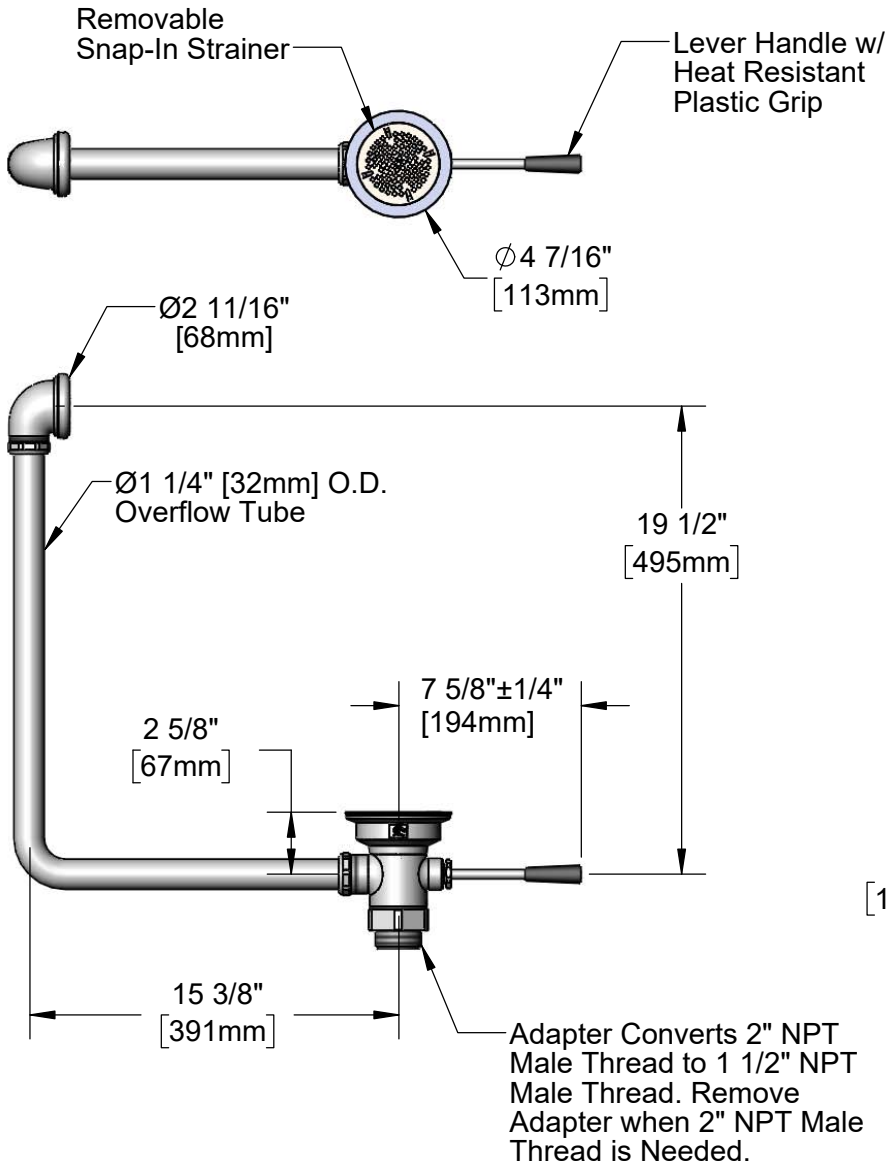
**B-3970-01-XS**

Item No.

Travelers Rest, SC: 800-476-4103 • Simi Valley, CA: 800-423-0150 • Fax: 864-834-3518 • www.tsbrass.com

This Space for Architect/Engineer Approval

Job Name \_\_\_\_\_ Date \_\_\_\_\_  
 Model Specified \_\_\_\_\_ Quantity \_\_\_\_\_  
 Customer/Wholesaler \_\_\_\_\_  
 Contractor \_\_\_\_\_  
 Architect/Engineer \_\_\_\_\_



Product Specifications:

Waste Drain Valve w/ Short Lever Handle, 3  $\frac{1}{2}$ " Sink Opening, 2" NPT Male Outlet, 1  $\frac{1}{2}$ " NPT Male Adapter & Overflow Tube w/ Head Asm

Product Compliance:

ASME A112.18.2 / CSA B125.2



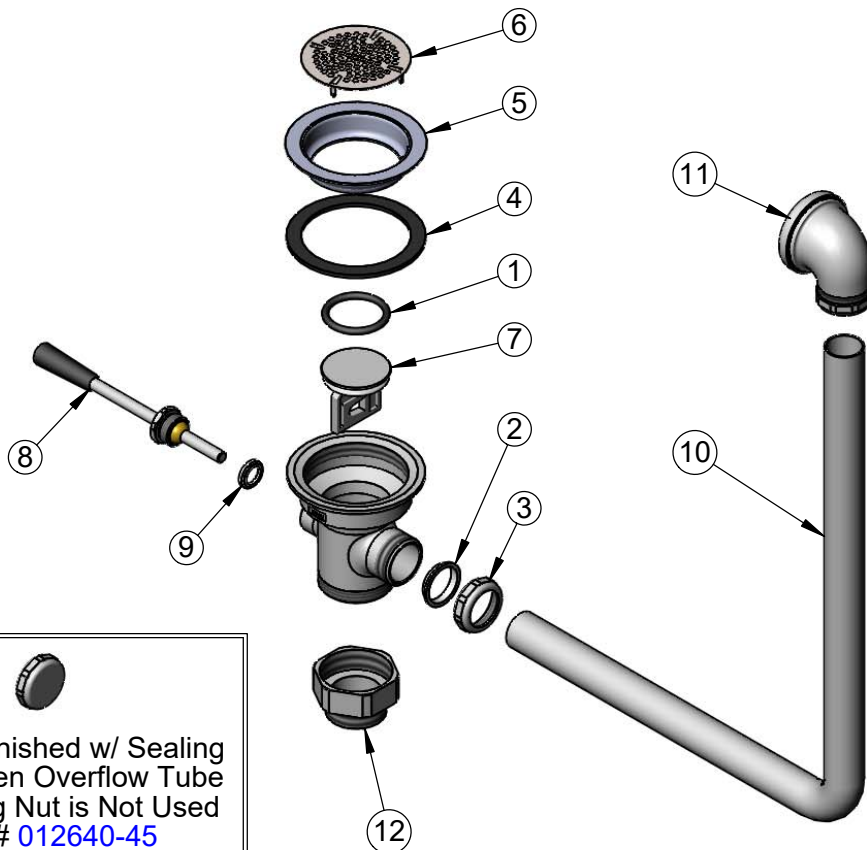
**T&S BRASS AND BRONZE WORKS, INC.**  
 2 Saddleback Cove / P.O. Box 1088  
 Travelers Rest, SC 29690

Model No.  
**B-3970-01-XS**

Item No.

Travelers Rest, SC: 800-476-4103 • Simi Valley, CA: 800-423-0150 • Fax: 864-834-3518 • www.tsbrass.com

ITEM NO.	SALES NO.	DESCRIPTION
1	<a href="#">010389-45</a>	O-Ring, Plunger
2	<a href="#">010390-45</a>	Ferrule, Coupling Nut
3	<a href="#">010391-45</a>	Nut, Coupling for Twist Drain
4	<a href="#">010382-45</a>	Gasket, 3 1/2" Face Flange
5	<a href="#">010384-45</a>	Flange, 3 1/2" Face
6	<a href="#">010386-45</a>	Strainer, 3 1/2" Snap-in Removable
7	<a href="#">010388-45</a>	Plunger, Lever and Twist Drain
8	<a href="#">010394-45XS</a>	Handle, Waste Valve Short Lever
9	<a href="#">010392-45</a>	Bushing, Waste Drain Lever Handle
10	<a href="#">011355-45</a>	Tube, Overflow Elbow
11	<a href="#">011356-45</a>	Head Asm, Overflow Tube
12	<a href="#">B-3945</a>	Adapter, 2" NPT x 1 1/2" NPT



Also Furnished w/ Sealing Cap When Overflow Tube Coupling Nut is Not Used  
 PN# [012640-45](#)

Product Specifications:  
 Waste Drain Valve w/ Short Lever Handle, 3 1/2" Sink Opening, 2" NPT Male Outlet, 1 1/2" NPT Male Adapter & Overflow Tube w/ Head Asm

Product Compliance:  
 ASME A112.18.2 / CSA B125.2