



T&S BRASS AND BRONZE WORKS, INC.
 2 Saddleback Cove / P.O. Box 1088
 Travelers Rest, SC 29690

Model No.

B-3962-01

Item No.

Travelers Rest, SC: 800-476-4103 • Simi Valley, CA: 800-423-0150 • Fax: 864-834-3518 • www.tsbrass.com

This Space for Architect/Engineer Approval

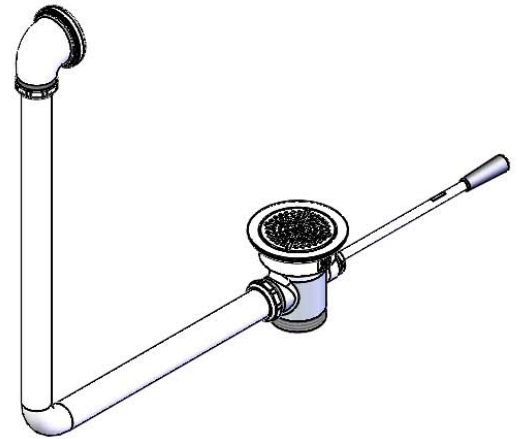
Job Name _____ Date _____

Model Specified _____ Quantity _____

Customer/Wholesaler _____

Contractor _____

Architect/Engineer _____



Removable Snap-In Strainer
 $\text{Ø}4 \frac{3}{16}$ " [106mm]



$\text{Ø}2 \frac{11}{16}$ " [68mm]

$\text{Ø}1 \frac{1}{4}$ " [32mm] O.D. Overflow Tube

19 1/2" [492mm]

12 1/8" [308mm]

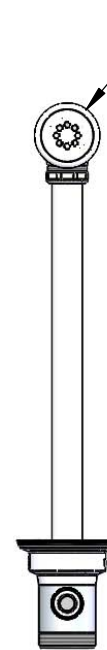
4 1/2" [114mm]

2 5/8" [67mm]

15 3/8" [391mm]

2" NPT Male Thread,
 1-1/2" NPT Female Thread

$\text{Ø}2$ " [51mm] Opening Required



Product Specifications:

Waste Drain Valve w/ Lever Handle, 3" Sink Opening, 2" NPT Male / 1-1/2" NPT Female Outlet & Overflow Tube w/ Head Asm.

Product Compliance:

ASME A112.18.2 / CSA B125.2



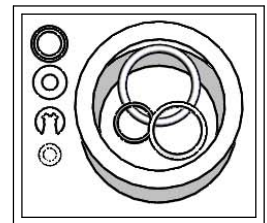
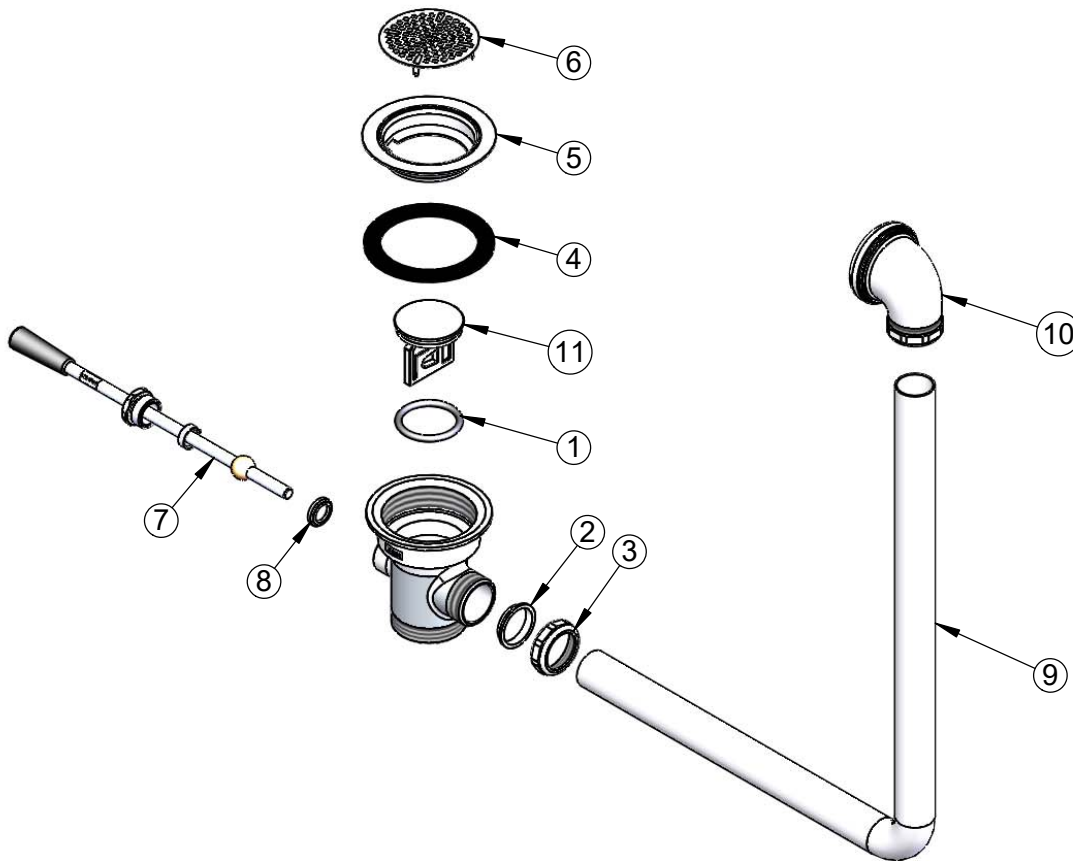
T&S BRASS AND BRONZE WORKS, INC.
 2 Saddleback Cove / P.O. Box 1088
 Travelers Rest, SC 29690

Model No.
B-3962-01

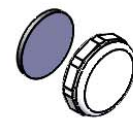
Item No.

Travelers Rest, SC: 800-476-4103 • Simi Valley, CA: 800-423-0150 • Fax: 864-834-3518 • www.tsbrass.com

ITEM NO.	SALES NO.	DESCRIPTION
1	010389-45	O-Ring, Plunger
2	010390-45	Ferrule, Coupling Nut
3	010391-45	Nut, Coupling for Twist Drain
4	010381-45	Gasket, 3" Face Flange
5	015306-45	Flange, 3" Face
6	010385-45	Strainer, 3" Snap-in
7	010394-45	Handle Asm, Waste Drain Valve Lever
8	010392-45	Bushing, Waste Drain Lever Handle
9	011355-45	Tube, Overflow Elbow
10	011356-45	Head Asm, Overflow Tube
11	010388-45	Plunger, Twist Drain



Washers, O-Rings & Gaskets are located in Parts Kit [B-39K](#)



Also Furnished w/ Sealing Cap When Overflow Tube Coupling Nut is not Used.
 PN #[012640-45](#)

Product Specifications:
 Waste Drain Valve w/ Lever Handle, 3" Sink Opening, 2" NPT Male / 1-1/2" NPT Female Outlet & Overflow Tube w/ Head Asm.

Product Compliance:
 ASME A112.18.2 / CSA B125.2