



T&S BRASS AND BRONZE WORKS, INC.
 2 Saddleback Cove / P.O. Box 1088
 Travelers Rest, SC 29690

Model No.
B-3960-BSP

Item No.

Travelers Rest, SC: 800-476-4103 • Simi Valley, CA: 800-423-0150 • Fax: 864-834-3518 • www.tsbrass.com

This Space for Architect/Engineer Approval

Job Name _____ Date _____

Model Specified _____ Quantity _____

Customer/Wholesaler _____

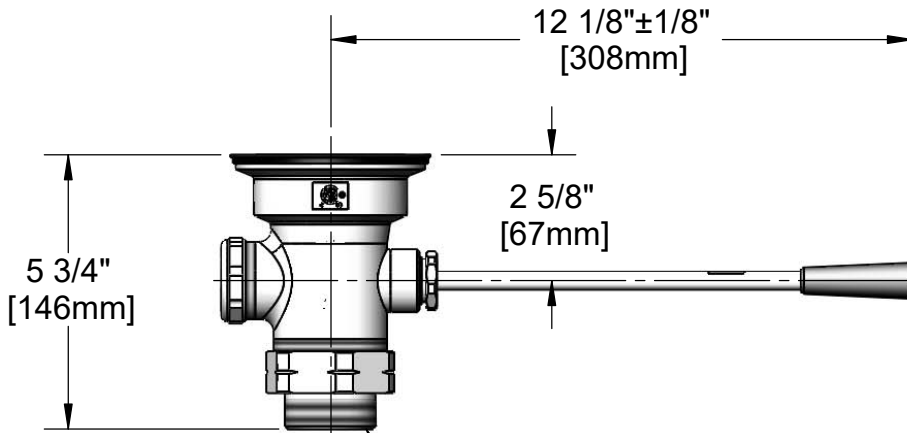
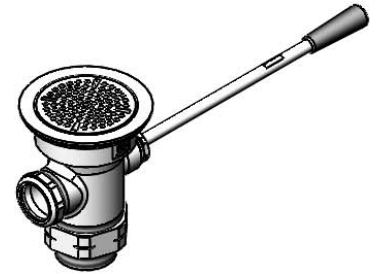
Contractor _____

Architect/Engineer _____

Removable
 Snap-In Strainer



$\phi 4 \frac{3}{16}$ "
 [106mm]



Adapter Converts 2" NPT
 Male Thread to 1 1/2" BSP
 Male Thread. Remove
 Adapter when 2" NPT Male
 Thread is Needed.

Product Specifications:
 Waste Drain Valve w/ Lever Handle, 3" Sink Opening,
 2" NPT Female x 1 1/2" BSP Male Adapter

Product Compliance:
 ASME A112.18.1 / CSA B125.1



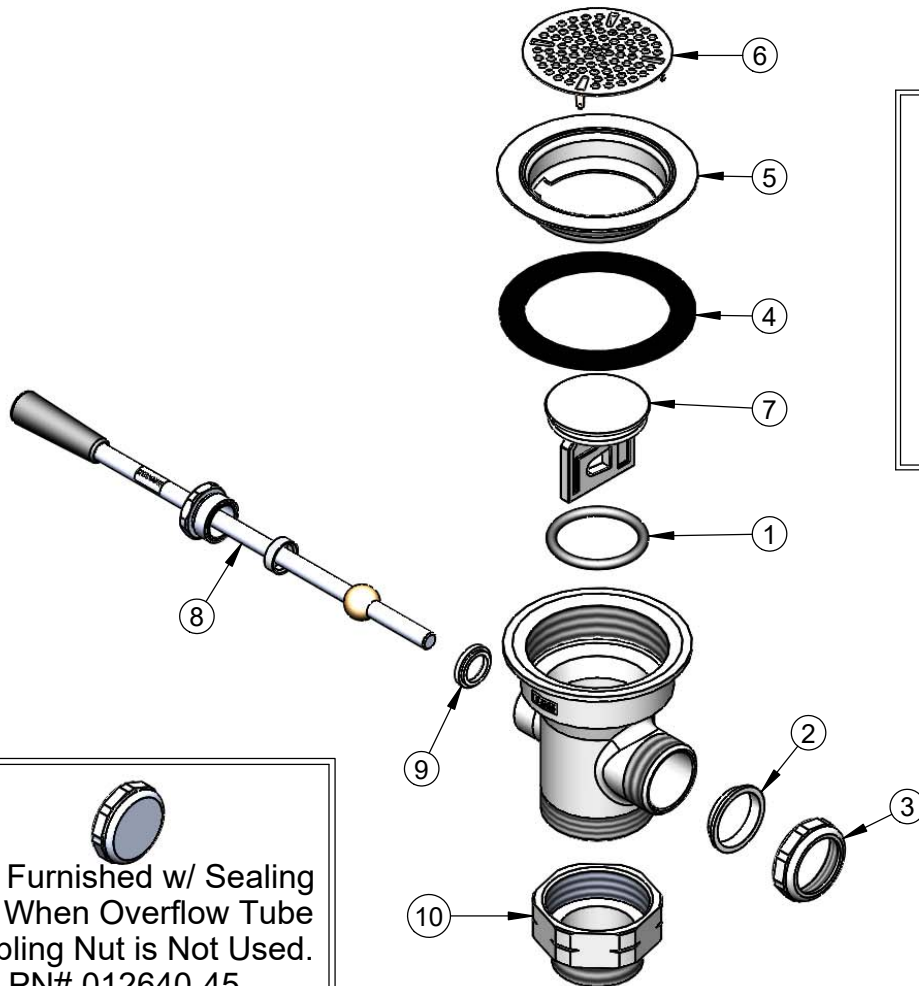
T&S BRASS AND BRONZE WORKS, INC.
 2 Saddleback Cove / P.O. Box 1088
 Travelers Rest, SC 29690

Model No.
B-3960-BSP

Item No.

Travelers Rest, SC: 800-476-4103 • Simi Valley, CA: 800-423-0150 • Fax: 864-834-3518 • www.tsbrass.com

ITEM NO.	SALES NO.	DESCRIPTION
1	010389-45	O-Ring, Plunger
2	010390-45	Ferrule, Coupling Nut
3	010391-45	Nut, Coupling for Twist Drain
4	010381-45	Gasket, 3" Face Flange
5	015306-45	Flange, 3" Face
6	010385-45	Strainer, 3" Snap-in
7	010388-45	Plunger, Lever and Twist Drain
8	010394-45	Handle Asm, Waste Drain Valve Lever
9	010392-45	Bushing, Waste Drain Lever Handle
10	B-3945-BSP	Adapter, 2" NPT Male x 1 1/2" BSP Male



Also Furnished w/ Sealing Cap When Overflow Tube Coupling Nut is Not Used.
 PN# 012640-45

Product Specifications:
 Waste Drain Valve w/ Lever Handle, 3" Sink Opening,
 2" NPT Female x 1 1/2" BSP Male Adapter

Product Compliance:
 ASME A112.18.1 / CSA B125.1