



**T&S BRASS AND BRONZE WORKS, INC.**  
 2 Saddleback Cove / P.O. Box 1088  
 Travelers Rest, SC 29690

Model No.  
**B-3960-01-BSP**

Item No.

Travelers Rest, SC: 800-476-4103 • Simi Valley, CA: 800-423-0150 • Fax: 864-834-3518 • www.tsbrass.com

This Space for Architect/Engineer Approval

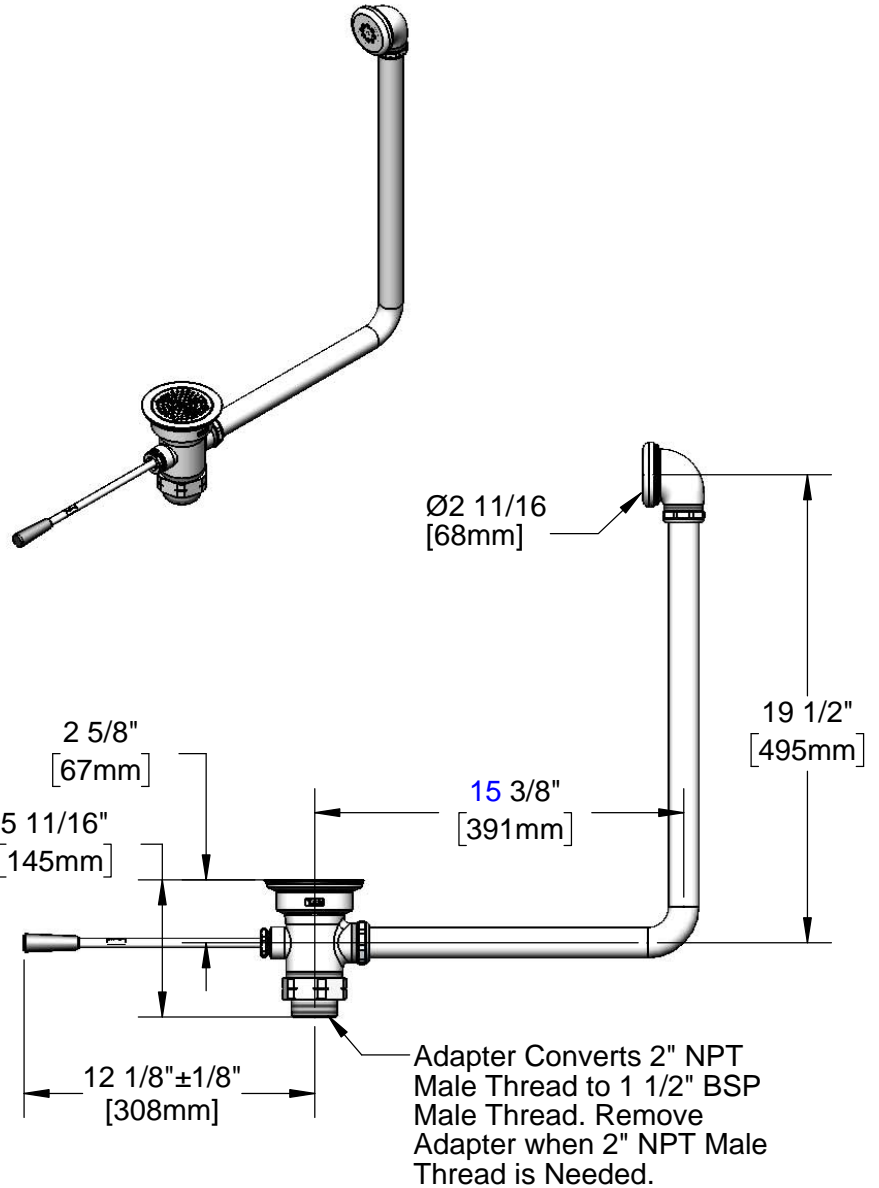
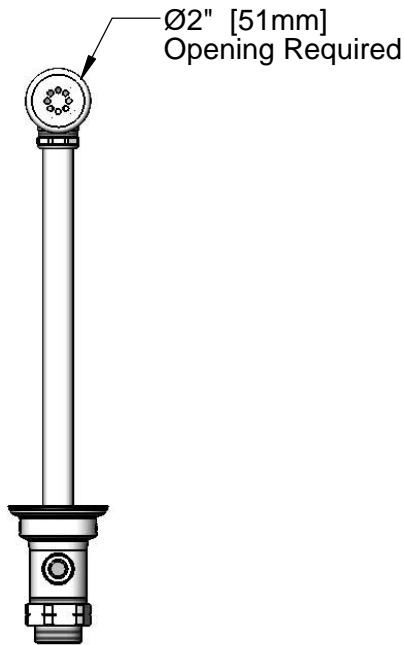
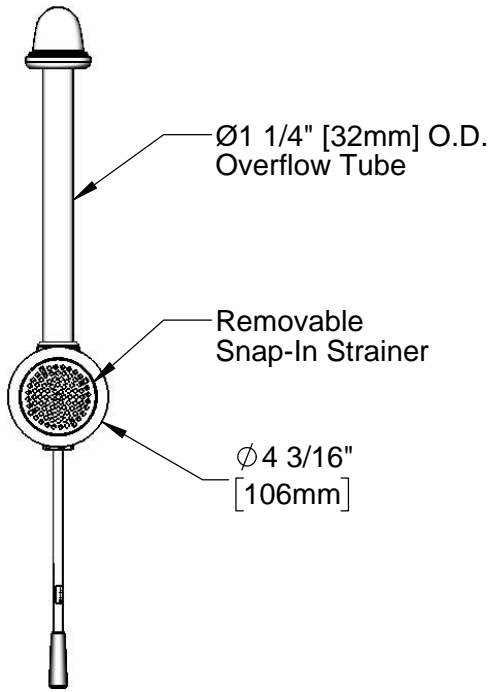
Job Name \_\_\_\_\_ Date \_\_\_\_\_

Model Specified \_\_\_\_\_ Quantity \_\_\_\_\_

Customer/Wholesaler \_\_\_\_\_

Contractor \_\_\_\_\_

Architect/Engineer \_\_\_\_\_



**Product Specifications:**  
 Waste Drain Valve w/ Lever Handle, 3" Sink Opening, 2" NPT Female x 1 1/2" BSP Male Adapter & Overflow Tube w/ Head Asm.

**Product Compliance:**  
 ASME A112.18.2 / CSA B125.2



# T&S BRASS AND BRONZE WORKS, INC.

2 Saddleback Cove / P.O. Box 1088  
Travelers Rest, SC 29690

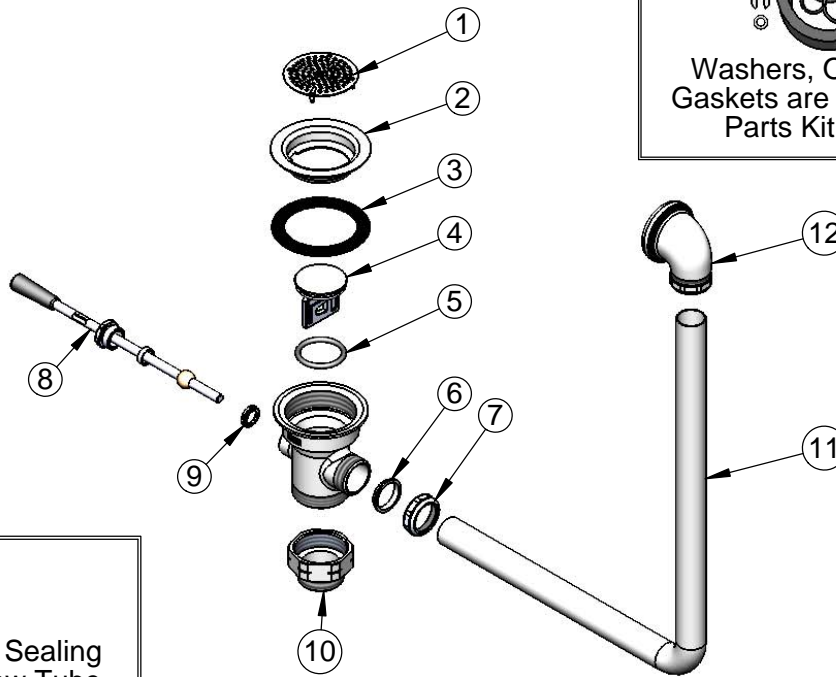
Model No.

**B-3960-01-BSP**


Item No.

Travelers Rest, SC: 800-476-4103 • Simi Valley, CA: 800-423-0150 • Fax: 864-834-3518 • www.tsbrass.com

ITEM NO.	SALES NO.	DESCRIPTION
1	<a href="#">010385-45</a>	Strainer, 3" Snap-in
2	<a href="#">015306-45</a>	Flange, 3" Face
3	<a href="#">010381-45</a>	Gasket, 3" Face Flange
4	<a href="#">010388-45</a>	Plunger, Lever and Twist Drain
5	<a href="#">010389-45</a>	O-Ring, Plunger
6	<a href="#">010390-45</a>	Ferrule, Coupling Nut
7	<a href="#">010391-45</a>	Nut, Coupling for Twist Drain
8	<a href="#">010394-45</a>	Handle Asm, Waste Drain Valve Lever
9	<a href="#">010392-45</a>	Bushing, Waste Drain Lever Handle
10	<a href="#">B-3945-BSP</a>	Adapter, 2" NPT Male x 1 1/2" BSP Male
11	<a href="#">011355-45</a>	Tube, Overflow Elbow
12	<a href="#">011356-45</a>	Head Asm, Overflow Tube



  
 Washers, O-Rings & Gaskets are included in Parts Kit [B-39K](#)

  
 Also Furnished w/ Sealing Cap When Overflow Tube Coupling Nut is Not Used.  
 PN# [012640-45](#)

**Product Specifications:**

Waste Drain Valve w/ Lever Handle, 3" Sink Opening, 2" NPT Female x 1 1/2" BSP Male Adapter & Overflow Tube w/ Head Asm.

**Product Compliance:**

ASME A112.18.2 / CSA B125.2