



**T&S BRASS AND BRONZE WORKS, INC.**  
 2 Saddleback Cove / P.O. Box 1088  
 Travelers Rest, SC 29690

Model No.  
**B-3952-XS**

Item No.

Travelers Rest, SC: 800-476-4103 • Simi Valley, CA: 800-423-0150 • Fax: 864-834-3518 • www.tsbrass.com

This Space for Architect/Engineer Approval

Job Name \_\_\_\_\_ Date \_\_\_\_\_

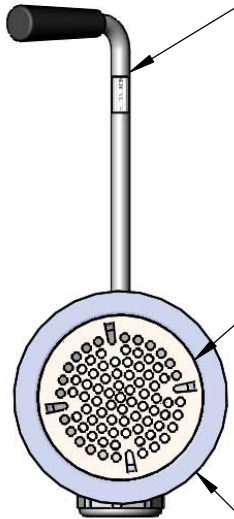
Model Specified \_\_\_\_\_ Quantity \_\_\_\_\_

Customer/Wholesaler \_\_\_\_\_

Contractor \_\_\_\_\_

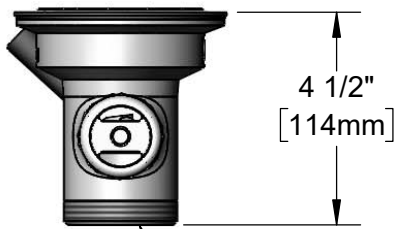
Architect/Engineer \_\_\_\_\_

Twist Handle w/  
Heat Resistant  
Plastic Grip (Shown  
in Open Position)



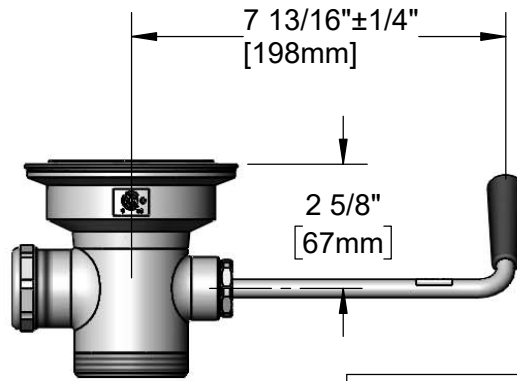
Removable  
Snap-In Strainer

Ø 4 7/16"  
[113mm]



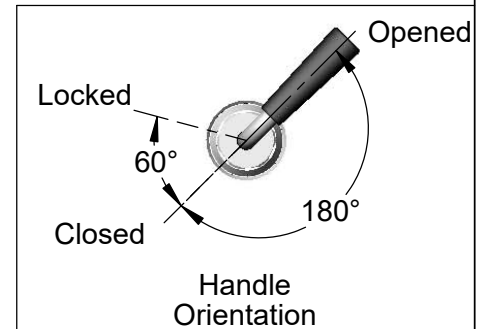
4 1/2"  
[114mm]

2" NPT Male Thread,  
1 1/2" NPT Female Thread



7 13/16" ± 1/4"  
[198mm]

2 5/8"  
[67mm]



Product Specifications:  
 Rotary Waste Valve w/ Short Twist Handle, 3 1/2" Sink Opening,  
 2" NPT Male Outlet / 1 1/2" NPT Female Threads Outlet

Product Compliance:  
 ASME A112.18.2 / CSA B125.2



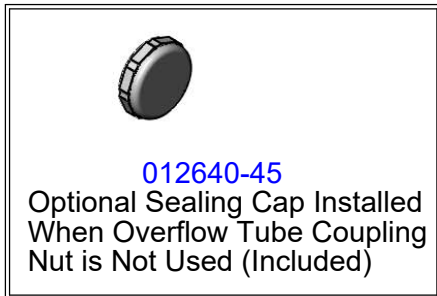
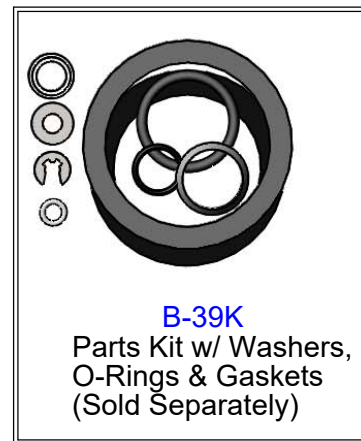
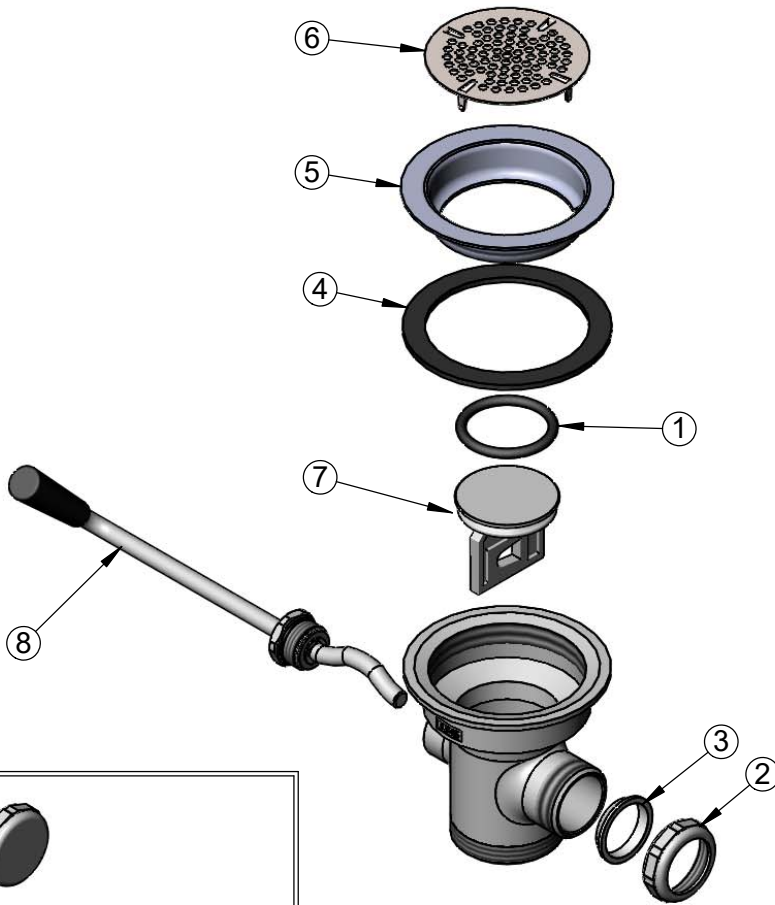
**T&S BRASS AND BRONZE WORKS, INC.**  
 2 Saddleback Cove / P.O. Box 1088  
 Travelers Rest, SC 29690

Model No.  
**B-3952-XS**

Item No.

Travelers Rest, SC: 800-476-4103 • Simi Valley, CA: 800-423-0150 • Fax: 864-834-3518 • www.tsbrass.com

ITEM NO.	SALES NO.	DESCRIPTION
1	010389-45	O-Ring, Plunger
2	010391-45	Nut, Coupling for Twist Drain
3	010390-45	Ferrule, Coupling Nut
4	010382-45	Gasket, 3 1/2" Face Flange
5	010384-45	Flange, 3 1/2" Face
6	010386-45	Strainer, 3 1/2" Snap-in Removable
7	010388-45	Plunger, Lever and Twist Drain
8	010393-45XS	Handle Asm, Rotary Waste Valve Twist



Product Specifications:  
 Rotary Waste Valve w/ Short Twist Handle, 3 1/2" Sink Opening,  
 2" NPT Male Outlet / 1 1/2" NPT Female Threads Outlet

Product Compliance:  
 ASME A112.18.2 / CSA B125.2