



T&S BRASS AND BRONZE WORKS, INC.
 2 Saddleback Cove / P.O. Box 1088
 Travelers Rest, SC 29690

Model No.
B-3945

Item No.

Travelers Rest, SC: 800-476-4103 • Simi Valley, CA: 800-423-0150 • Fax: 864-834-3518 • www.tsbrass.com

This Space for Architect/Engineer Approval

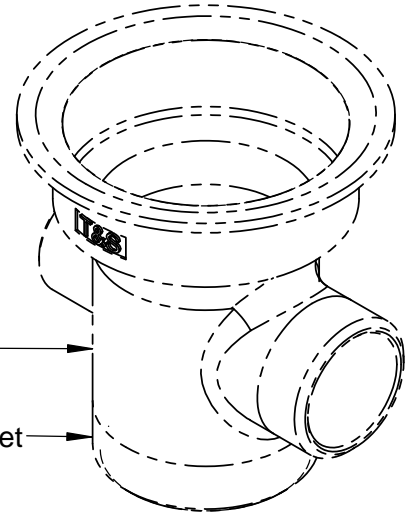
Job Name _____ Date _____

Model Specified _____ Quantity _____

Customer/Wholesaler _____

Contractor _____

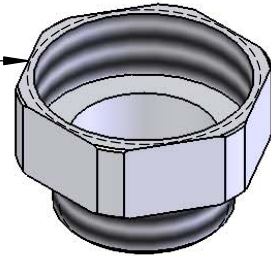
Architect/Engineer _____



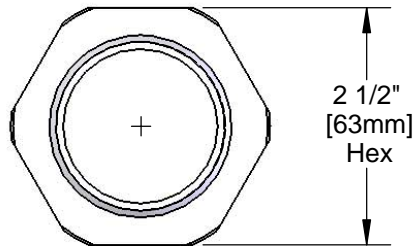
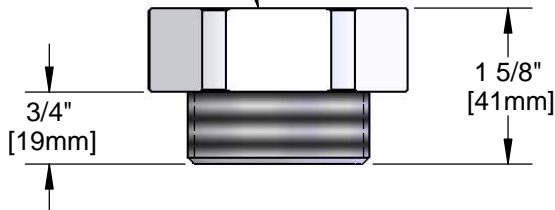
Waste Drain Sold Separately
 (Shown only for Reference)

2" [51mm] NPT Male Drain Outlet

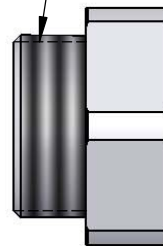
2" [51mm] NPT Female x 1 1/2"
 [38mm] NPT Male Adapter



2" NPT Female



1 1/2" NPT
 Male



Product Specifications:
 Rotary Waste Valve Adapter
 2" NPT Female x 1 1/2" NPT Male

Product Compliance: