



**T&S BRASS AND BRONZE WORKS, INC.**  
 2 Saddleback Cove / P.O. Box 1088  
 Travelers Rest, SC 29690

Model No.  
**B-2992-WH4**

Item No.

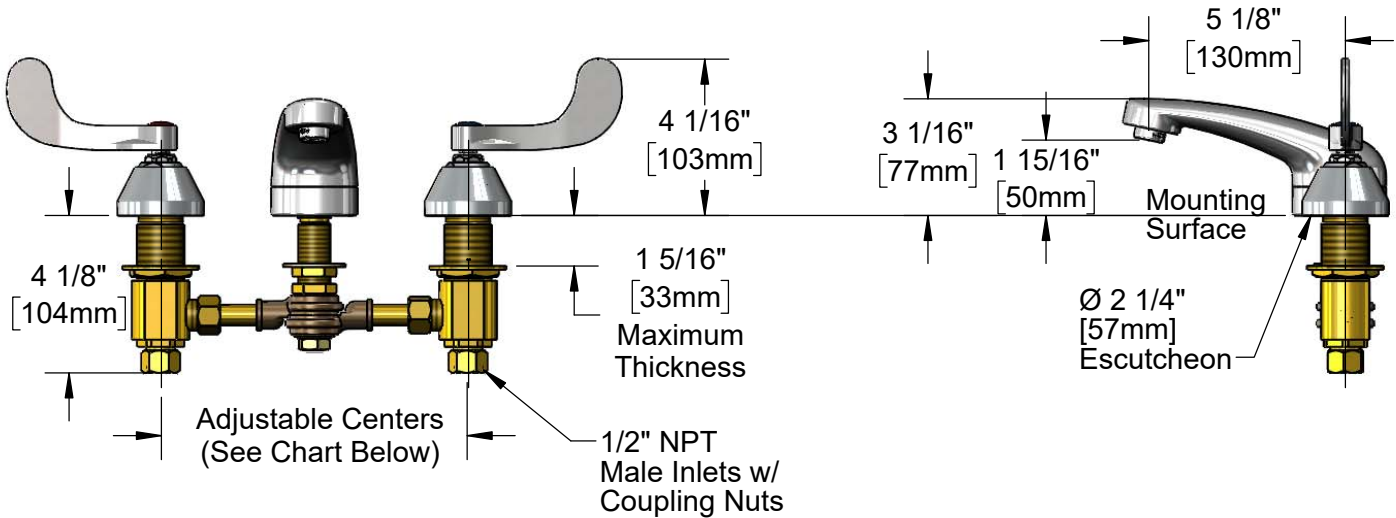
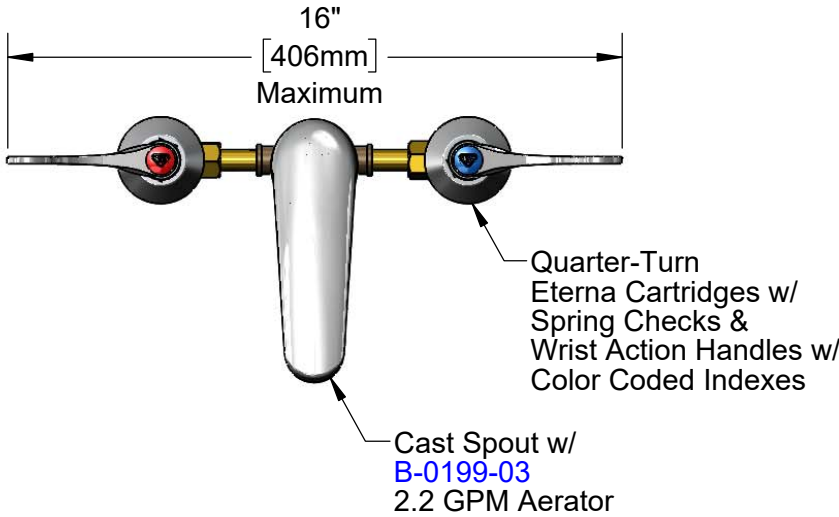
Travelers Rest, SC: 800-476-4103 • Simi Valley, CA: 800-423-0150 • Fax: 864-834-3518 • www.tsbrass.com



**ADA Compliant**

This Space for Architect/Engineer Approval

Job Name \_\_\_\_\_ Date \_\_\_\_\_  
 Model Specified \_\_\_\_\_ Quantity \_\_\_\_\_  
 Customer/Wholesaler \_\_\_\_\_  
 Contractor \_\_\_\_\_  
 Architect/Engineer \_\_\_\_\_



	Hot & Cold Center Sections Can be at Angle	
	if "Y" is	Then Faucet Will Fit "X" with Standard 1/4" NPT Cross Pipes Furnished
	1/2"	8"
	1"	7 3/4"
	1 1/2"	7 3/8"
	2"	7"

Product Specifications:  
 8" Concealed Widespread Mixing Faucet, Quarter-Turn Eterna Cartridges w/ Spring Checks, Wrist Action Handles, Cast Spout w/ 2.2 GPM Aerator & 1/2" NPT Male Inlets w/ Coupling Nuts

Product Compliance:  
 ASME A112.18.1 / CSA B125.1  
 NSF 61 - Section 9  
 NSF 372 (Low Lead Content)  
 ANSI A117.1 (ADA)



# T&S BRASS AND BRONZE WORKS, INC.

2 Saddleback Cove / P.O. Box 1088  
Travelers Rest, SC 29690

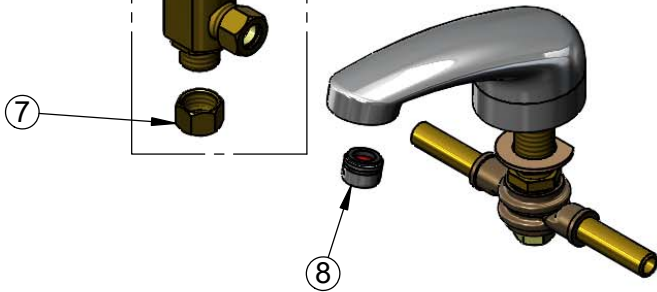
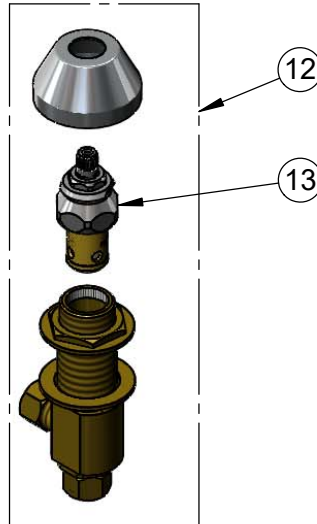
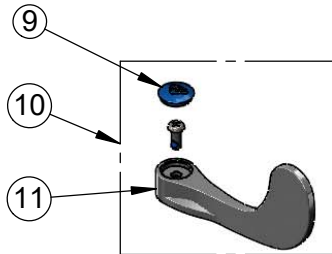
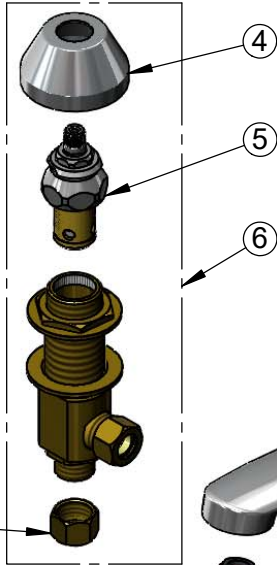
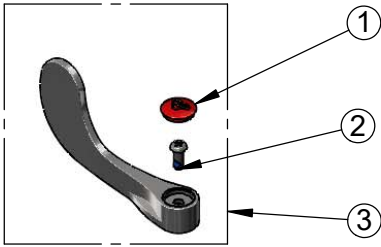
Model No.

**B-2992-WH4**

Item No.

Travelers Rest, SC: 800-476-4103 • Simi Valley, CA: 800-423-0150 • Fax: 864-834-3518 • www.tsbrass.com

ITEM NO.	SALES NO.	DESCRIPTION
1	<a href="#">001193-19NS</a>	Red Button Index, Press-in
2	<a href="#">000925-45</a>	Lab Handle Screw
3	<a href="#">B-WH4H-NS</a>	Wrist Action Handle, Red Index & Screw
4	<a href="#">001257-40NS</a>	Bell Escutcheon
5	<a href="#">006478-40NS</a>	CWS Quarter-Turn Eterna Cartridge w/ Spring Check, RTC
6	<a href="#">162A-NS</a>	B-0850 New Style Side Body - Hot
7	<a href="#">000958-20</a>	Coupling Nut
8	<a href="#">B-0199-03</a>	2.2 GPM Aerator
9	<a href="#">018506-19NS</a>	Blue Button Index, Press-in
10	<a href="#">B-WH4C-NS</a>	Wrist Action Handle, Blue Index & Screw
11	<a href="#">B-WH4-NS</a>	Wrist Action Handle - New Style
12	<a href="#">161A-NS</a>	B-0850 New Style Side Body - Cold
13	<a href="#">006477-40NS</a>	CWS Quarter-Turn Eterna Cartridge w/ Spring Check, LTC



**Product Specifications:**

8" Concealed Widespread Mixing Faucet, Quarter-Turn Eterna Cartridges w/ Spring Checks, Wrist Action Handles, Cast Spout w/ 2.2 GPM Aerator & 1/2" NPT Male Inlets w/ Coupling Nuts

**Product Compliance:**

ASME A112.18.1 / CSA B125.1  
NSF 61 - Section 9  
NSF 372 (Low Lead Content)  
ANSI A117.1 (ADA)