



T&S BRASS AND BRONZE WORKS, INC.
 2 Saddleback Cove / P.O. Box 1088
 Travelers Rest, SC 29690

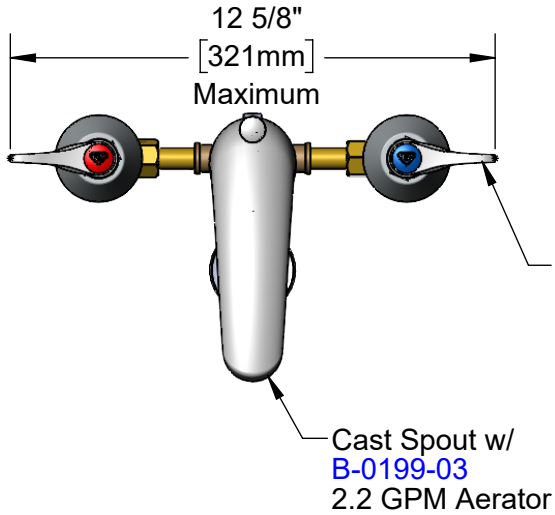
Model No.
B-2992-P

Item No.

Travelers Rest, SC: 800-476-4103 • Simi Valley, CA: 800-423-0150 • Fax: 864-834-3518 • www.tsbrass.com

This Space for Architect/Engineer Approval

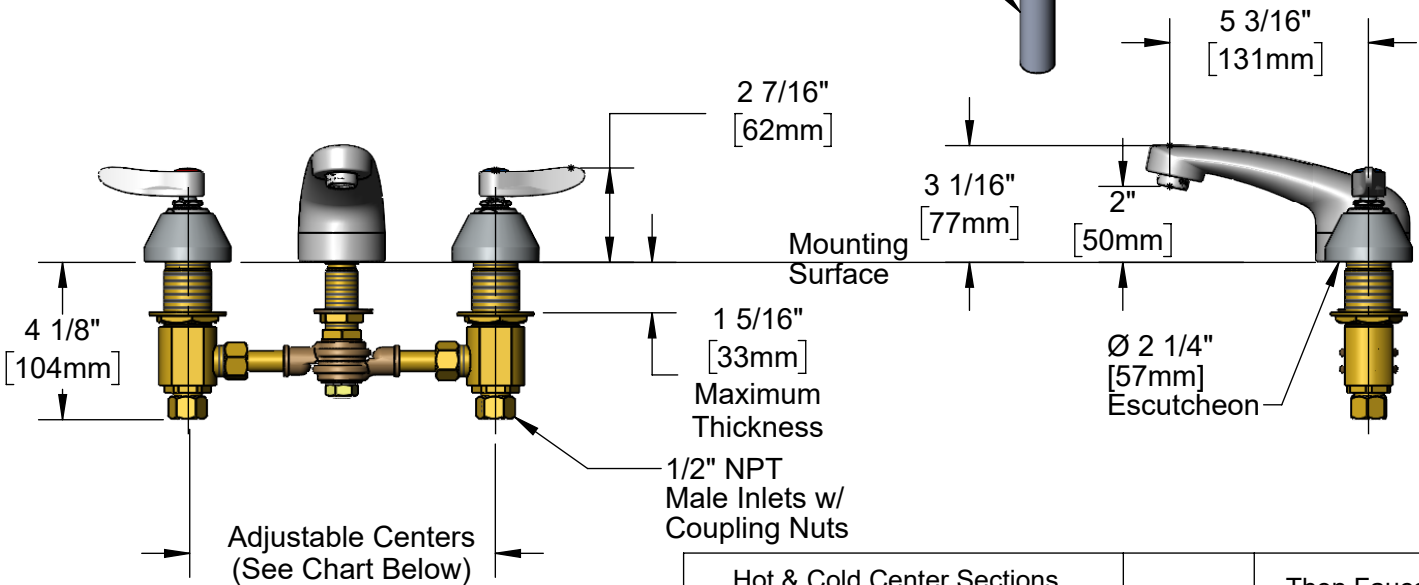
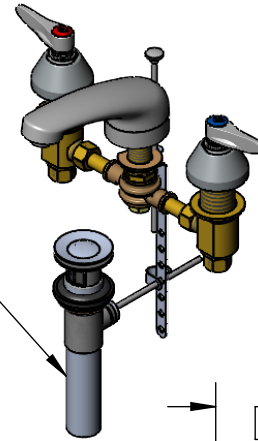
Job Name _____ Date _____
 Model Specified _____ Quantity _____
 Customer/Wholesaler _____
 Contractor _____
 Architect/Engineer _____



Quarter-Turn Eterna Cartridges w/ Spring Checks & Lever Handles w/ Color Coded Indexes

Cast Spout w/ B-0199-03 2.2 GPM Aerator

Pop-Up Drain



Rough-In Requirement:
 Center Shank: ϕ 1" [ϕ 25mm] Mounting Hole
 Hot/Cold Bodies: ϕ 1 1/2" [ϕ 38mm] Mounting Holes
 Pop-Up Drain: Fits Sinks With ϕ 1 7/16" [37mm] to ϕ 1 3/4" [44mm] Drain Hole

| | | |
|--|--------|---|
| Hot & Cold Center Sections Can be at Angle | | |
| | | Then Faucet Will Fit "X" with Standard 1/4" NPT Cross Pipes Furnished |
| if "Y" is | 1/2" | 8" |
| | 1" | 7 3/4" |
| | 1 1/2" | 7 3/8" |
| | 2" | 7" |

Product Specifications:
 8" Concealed Widespread Mixing Faucet, Quarter-Turn Eterna Cartridges w/ Spring Checks, Lever Handles, Cast Spout w/ 2.2 GPM Aerator & 1/2" NPT Male Inlets w/ Coupling Nuts and Pop-Up Drain

Product Compliance:
 ASME A112.18.1 / CSA B125.1
 NSF 61 - Section 9
 NSF 372 (Low Lead Content)



T&S BRASS AND BRONZE WORKS, INC.

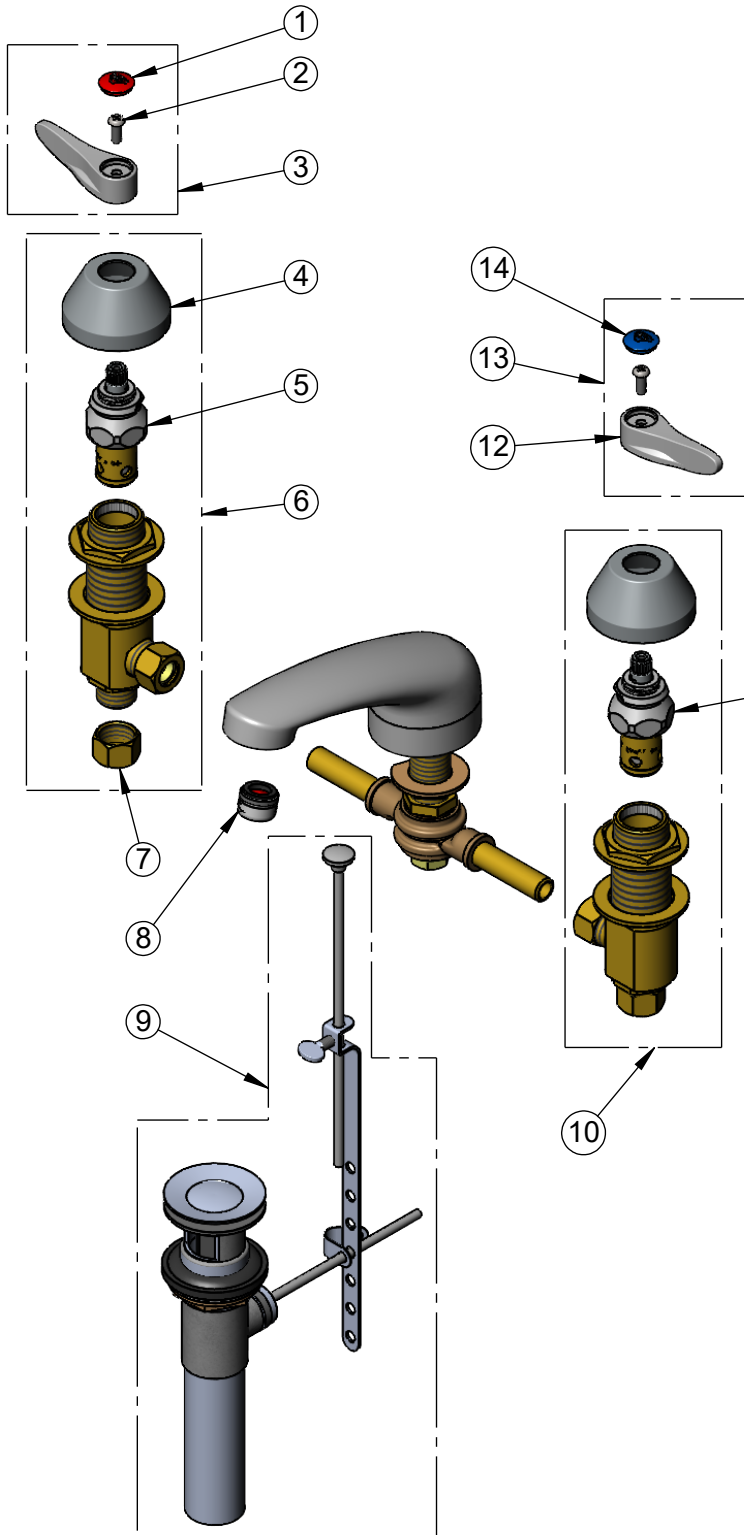
2 Saddleback Cove / P.O. Box 1088
Travelers Rest, SC 29690

Model No.

B-2992-P

Item No.

Travelers Rest, SC: 800-476-4103 • Simi Valley, CA: 800-423-0150 • Fax: 864-834-3518 • www.tsbrass.com



| ITEM NO. | SALES NO. | DESCRIPTION |
|----------|-------------|--|
| 1 | 001193-19NS | Red Button Index, Press-in |
| 2 | 000925-45 | Lab Handle Screw |
| 3 | 001637-45NS | Lever Handle, Red Index & Screw |
| 4 | 001257-40NS | Bell Escutcheon |
| 5 | 006478-40NS | CWS Quarter-Turn Eterna Cartridge w/ Spring Check, RTC |
| 6 | 162A-NS | B-0850 New Style Side Body - Hot |
| 7 | 000958-20 | Coupling Nut |
| 8 | B-0199-03 | 2.2 GPM Aerator |
| 9 | B-0898 | Pop-Up Drain |
| 10 | 161A-NS | B-0850 New Style Side Body - Cold |
| 11 | 006477-40NS | CWS Quarter-Turn Eterna Cartridge w/ Spring Check, LTC |
| 12 | 001638-45NS | Lever Handle (New Style) |
| 13 | 001636-45NS | Lever Handle, Blue Index & Screw |
| 14 | 018506-19NS | Blue Button Index, Press-in |

Product Specifications:

8" Concealed Widespread Mixing Faucet, Quarter-Turn Eterna Cartridges w/ Spring Checks, Lever Handles, Cast Spout w/ 2.2 GPM Aerator & 1/2" NPT Male Inlets w/ Coupling Nuts and Pop-Up Drain

Product Compliance:

ASME A112.18.1 / CSA B125.1
NSF 61 - Section 9
NSF 372 (Low Lead Content)