



# T&S BRASS AND BRONZE WORKS, INC.

2 Saddleback Cove / P.O. Box 1088  
Travelers Rest, SC 29690

Model No.

**B-2991**

Item No.

Travelers Rest, SC: 800-476-4103 • Simi Valley, CA: 800-423-0150 • Fax: 864-834-3518 • www.tsbrass.com



**ADA Compliant**

This Space for Architect/Engineer Approval

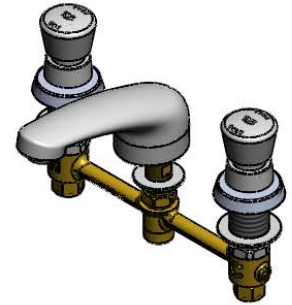
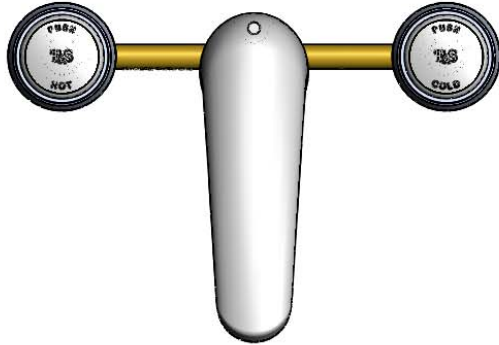
Job Name \_\_\_\_\_ Date \_\_\_\_\_

Model Specified \_\_\_\_\_ Quantity \_\_\_\_\_

Customer/Wholesaler \_\_\_\_\_

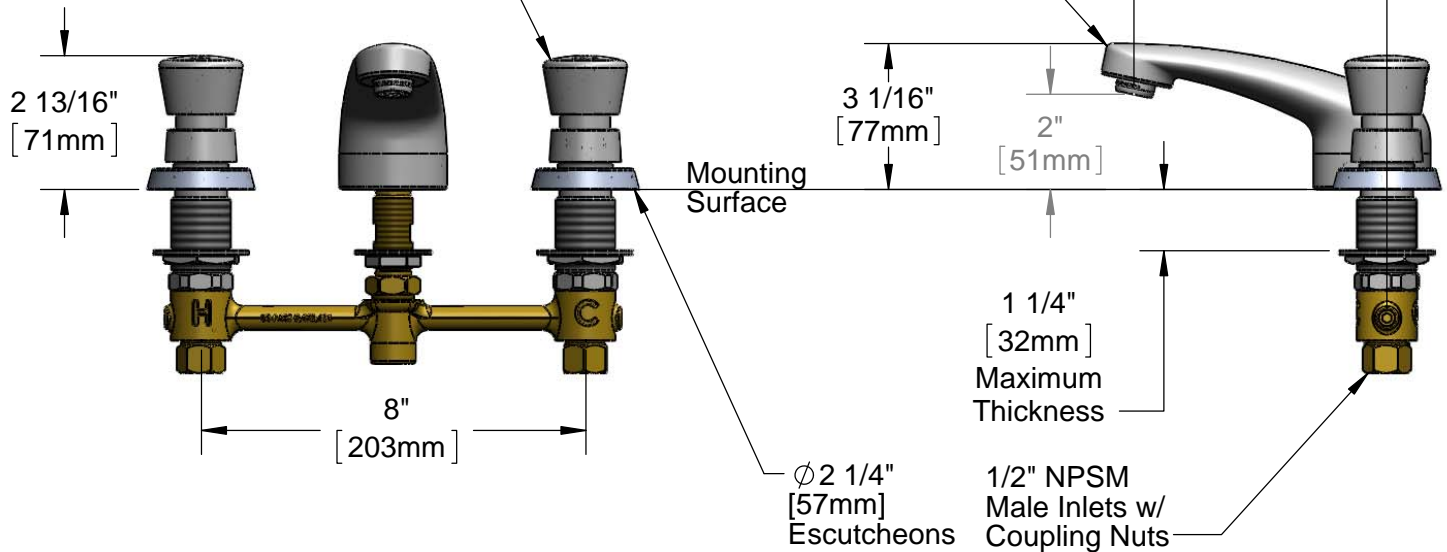
Contractor \_\_\_\_\_

Architect/Engineer \_\_\_\_\_



Metering Cartridges & Push Button Metering Caps

Lavatory Spout w/  
**B-0199-03**  
2.2 GPM Aerator



**Rough-In Requirement:**  
Center Shank:  $\phi$  1" [25mm] Mounting Hole  
Hot/Cold Side:  $\phi$  1 1/2" [38mm] Mounting Holes

**Product Specifications:**  
8" Deck Mount EasyInstall Lavatory Faucet, Push Button Handles, Metering Cartridges, Lavatory Spout w/ 2.2 GPM Aerator & 1/2" NPSM Male Inlets

**Product Compliance:**  
ASME A112.18.1 / CSA B125.1  
NSF 61 - Section 9  
NSF 372 (Low Lead Content)  
ANSI A117.1 (ADA)

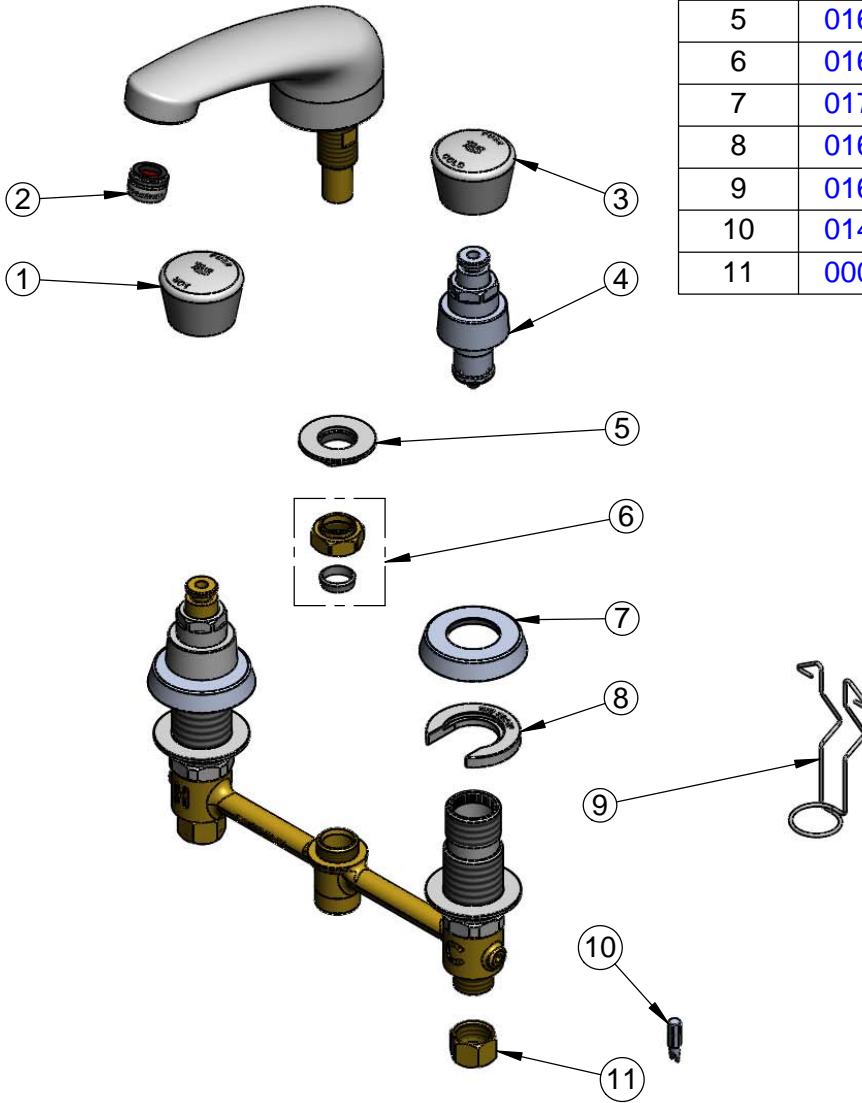


**T&S BRASS AND BRONZE WORKS, INC.**  
 2 Saddleback Cove / P.O. Box 1088  
 Travelers Rest, SC 29690

Model No.  
**B-2991**

Item No.

Travelers Rest, SC: 800-476-4103 • Simi Valley, CA: 800-423-0150 • Fax: 864-834-3518 • www.tsbrass.com



ITEM NO.	SALES NO.	DESCRIPTION
1	014194-40	Hot Cap
2	B-0199-03	2.2 GPM Aerator
3	014195-40	Cold Cap
4	238A	Push Button Metering Cartridge
5	016742-45	Center Flange Nut
6	016745-45	Compression Nut & Fitting
7	017292-45	Metering CWS Escutcheon
8	016749-45	Sidebody C-Washer
9	016777-45	CWS Hanger
10	014734-45	#8 Spanner Bit
11	000958-20	Coupling Nut



**017245-40**  
 Installation Repair Kit  
 Includes #5, (2)#8, & #9

Product Specifications:  
 8" Deck Mount EasyInstall Lavatory Faucet, Push Button Handles, Metering Cartridges, Lavatory Spout w/ 2.2 GPM Aerator & 1/2" NPSM Male Inlets

Product Compliance:  
 ASME A112.18.1 / CSA B125.1  
 NSF 61 - Section 9  
 NSF 372 (Low Lead Content)  
 ANSI A117.1 (ADA)