



**T&S BRASS AND BRONZE WORKS, INC.**  
 2 Saddleback Cove / P.O. Box 1088  
 Travelers Rest, SC 29690

Model No.

**B-2991-VR**

Item No.

Travelers Rest, SC: 800-476-4103 • Simi Valley, CA: 800-423-0150 • Fax: 864-834-3518 • www.tsbrass.com



**ADA Compliant**

This Space for Architect/Engineer Approval

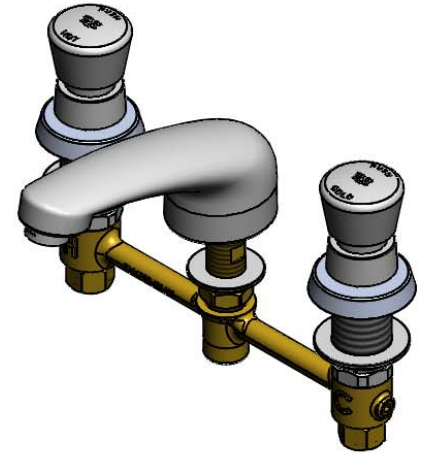
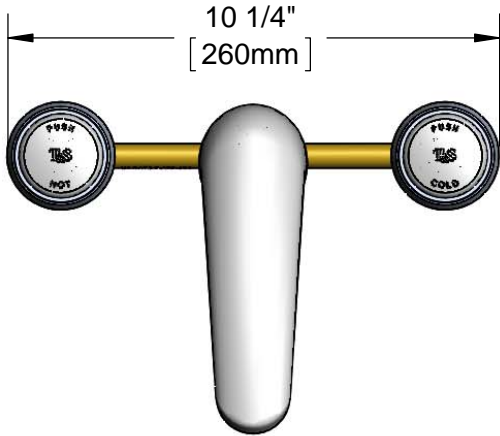
Job Name \_\_\_\_\_ Date \_\_\_\_\_

Model Specified \_\_\_\_\_ Quantity \_\_\_\_\_

Customer/Wholesaler \_\_\_\_\_

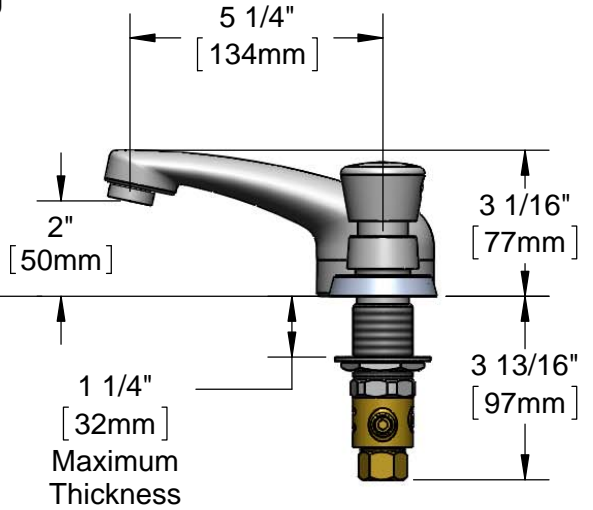
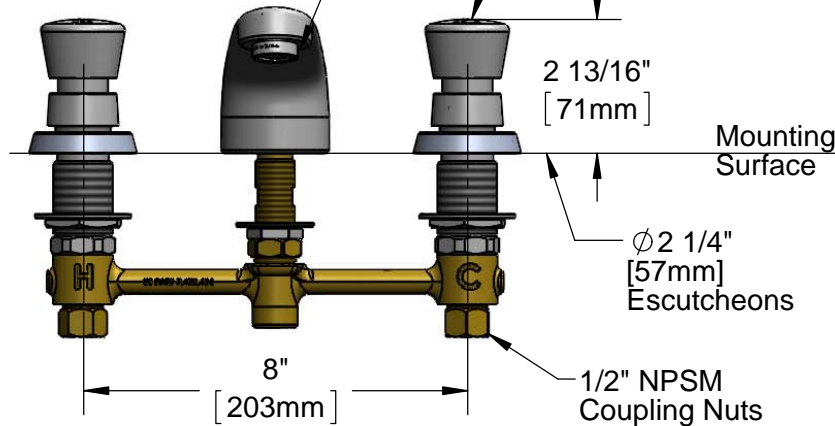
Contractor \_\_\_\_\_

Architect/Engineer \_\_\_\_\_



Lavatory Spout  
w/ VR 2.2 GPM  
Aerator

Metering Cartridges &  
Push Button Metering  
Caps



Spanner Bit for  
Access to Metering  
Adjustment Included.  
(Metering Adjustment  
Requires 3/32" Hex Key)



Rough-In Requirement:  
 Ø 1" [25mm] for Center Shank  
 Ø 1 1/2" [38mm] for Hot/Cold Side

Product Specifications:  
 8" Concealed Widespread EasyInstall Mixing Faucet, Push Button Caps,  
 Metering Cartridges, Cast Spout w/ VR 2.2 GPM Aerator and 1/2"  
 NPSM Male Inlets

Product Compliance:  
 ASME A112.18.1 / CSA B125.1  
 NSF 61 - Section 9  
 NSF 372 (Low Lead Content)  
 ANSI A117.1 (ADA)



# T&S BRASS AND BRONZE WORKS, INC.

2 Saddleback Cove / P.O. Box 1088  
Travelers Rest, SC 29690

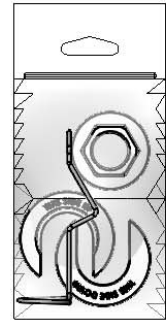
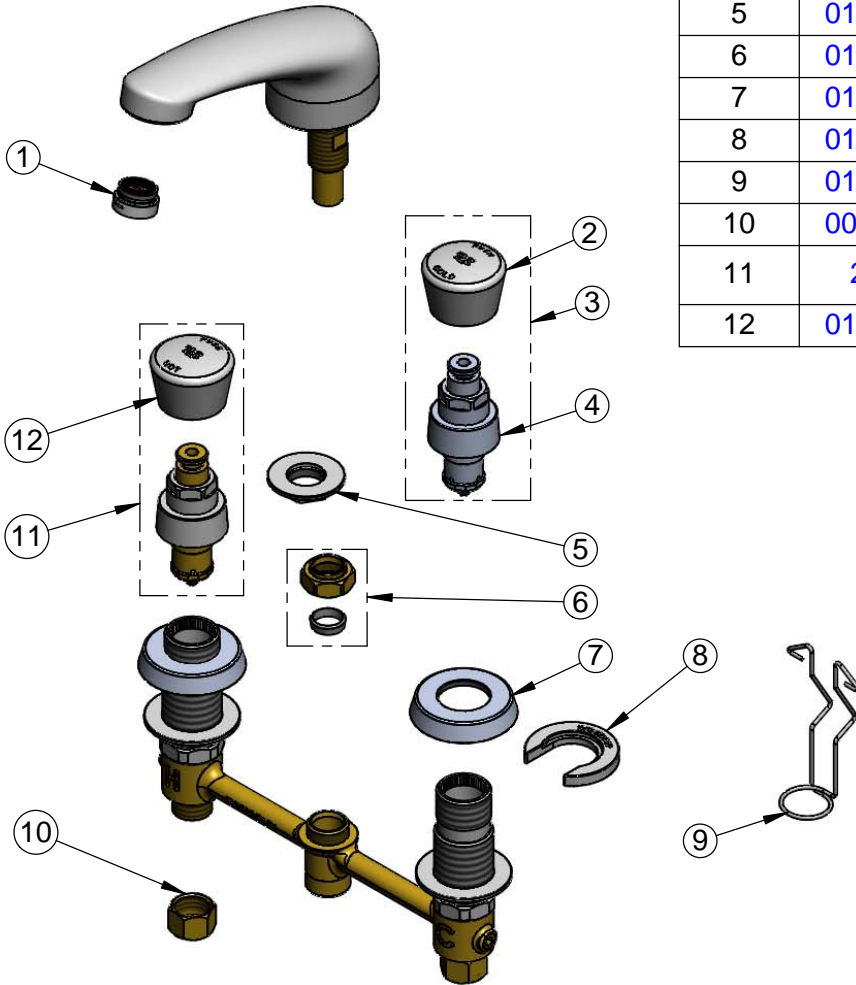
Model No.

**B-2991-VR**

Item No.

Travelers Rest, SC: 800-476-4103 • Simi Valley, CA: 800-423-0150 • Fax: 864-834-3518 • www.tsbrass.com

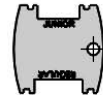
ITEM NO.	SALES NO.	DESCRIPTION
1	B-0199-08	VR 2.2 GPM Aerator, 13/16-27 UN Male w/ Key
2	014195-40	Cold Push Button Cap w/ Spanner Bit
3	238AC	Metering Cartridge w/ Cold Push Button Cap & Spanner Bit
4	238A	Push Button Metering Cartridge
5	016742-45	Center Flange Nut
6	016745-45	Compression Nut & Fitting
7	017292-45	Metering CWS Escutcheon
8	016749-45	Sidebody C-Washer
9	016777-45	CWS Hanger
10	000958-20	Coupling Nut
11	238AH	Metering Cartridge w/ Hot Push Button Cap & Spanner Bit
12	014194-40	Hot Push Button Cap w/ Spanner Bit



**017245-40**  
Installation Repair Kit  
Includes #5, (2)#8, & #9



**014734-45**  
Spanner Bit for  
Vandal Resistant Screw



**015425-45**  
Vandal Resistant Key  
(Included w/ Spray Device)

**Product Specifications:**

8" Concealed Widespread EasyInstall Mixing Faucet, Push Button Caps, Metering Cartridges, Cast Spout w/ VR 2.2 GPM Aerator and 1/2" NPSM Male Inlets

**Product Compliance:**

ASME A112.18.1 / CSA B125.1  
NSF 61 - Section 9  
NSF 372 (Low Lead Content)  
ANSI A117.1 (ADA)