



T&S BRASS AND BRONZE WORKS, INC.

2 Saddleback Cove / P.O. Box 1088
Travelers Rest, SC 29690

Model No.

B-2990

Item No.

Travelers Rest, SC: 800-476-4103 • Simi Valley, CA: 800-423-0150 • Fax: 864-834-3518 • www.tsbrass.com



ADA Compliant

This Space for Architect/Engineer Approval

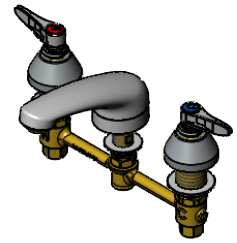
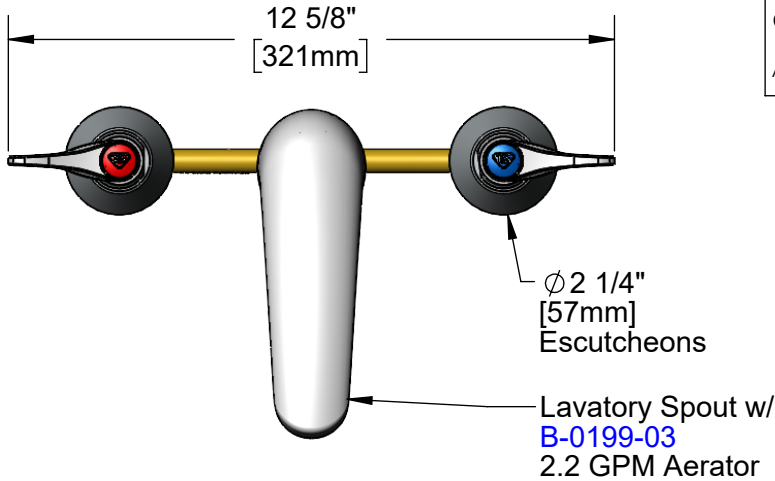
Job Name _____ Date _____

Model Specified _____ Quantity _____

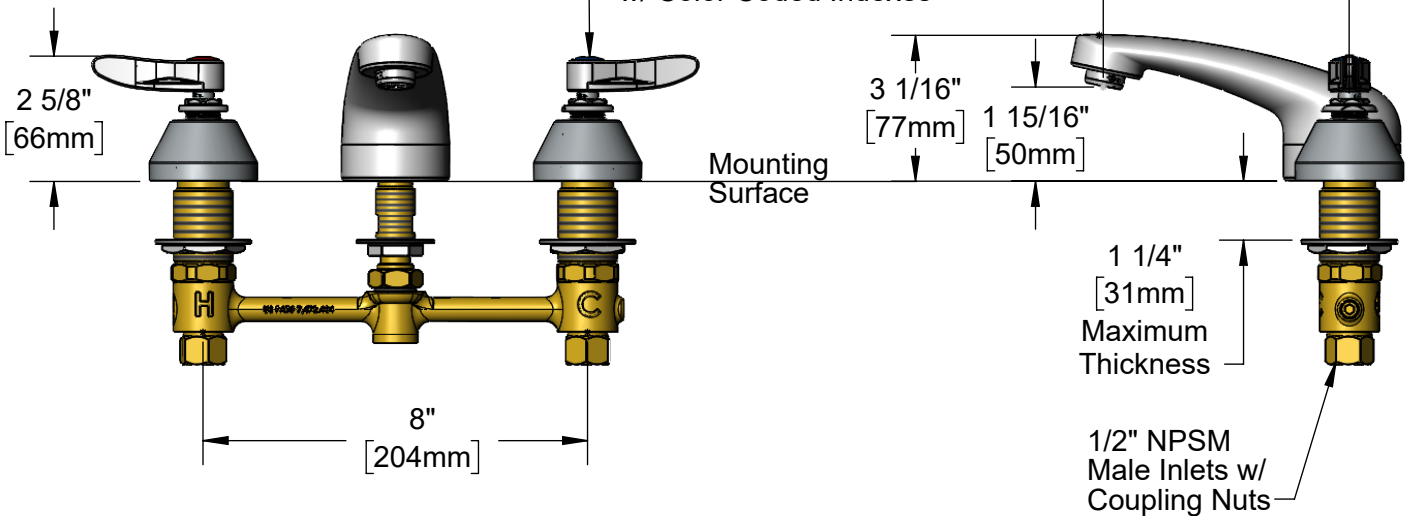
Customer/Wholesaler _____

Contractor _____

Architect/Engineer _____



Quarter-Turn Eterna Cartridges w/ Spring Checks & Lever Handles w/ Color Coded Indexes



Rough-In Requirement:

Center Shank: Ø 1" [25mm] Mounting Hole

Hot/Cold Side: Ø 1 1/2" [38mm] Mounting Holes

Product Specifications:

8" Concealed Widespread EasyInstall Lavatory Faucet, Quarter-Turn Eterna Cartridges w/ Spring Checks, Lever Handles, Lavatory Spout, 2.2 GPM Aerator & 1/2" NPT Male Inlets w/ Coupling Nuts

Product Compliance:

ASME A112.18.1 / CSA B125.1
NSF 61 - Section 9
NSF 372 (Low Lead Content)
ANSI A117.1 (ADA)



T&S BRASS AND BRONZE WORKS, INC.

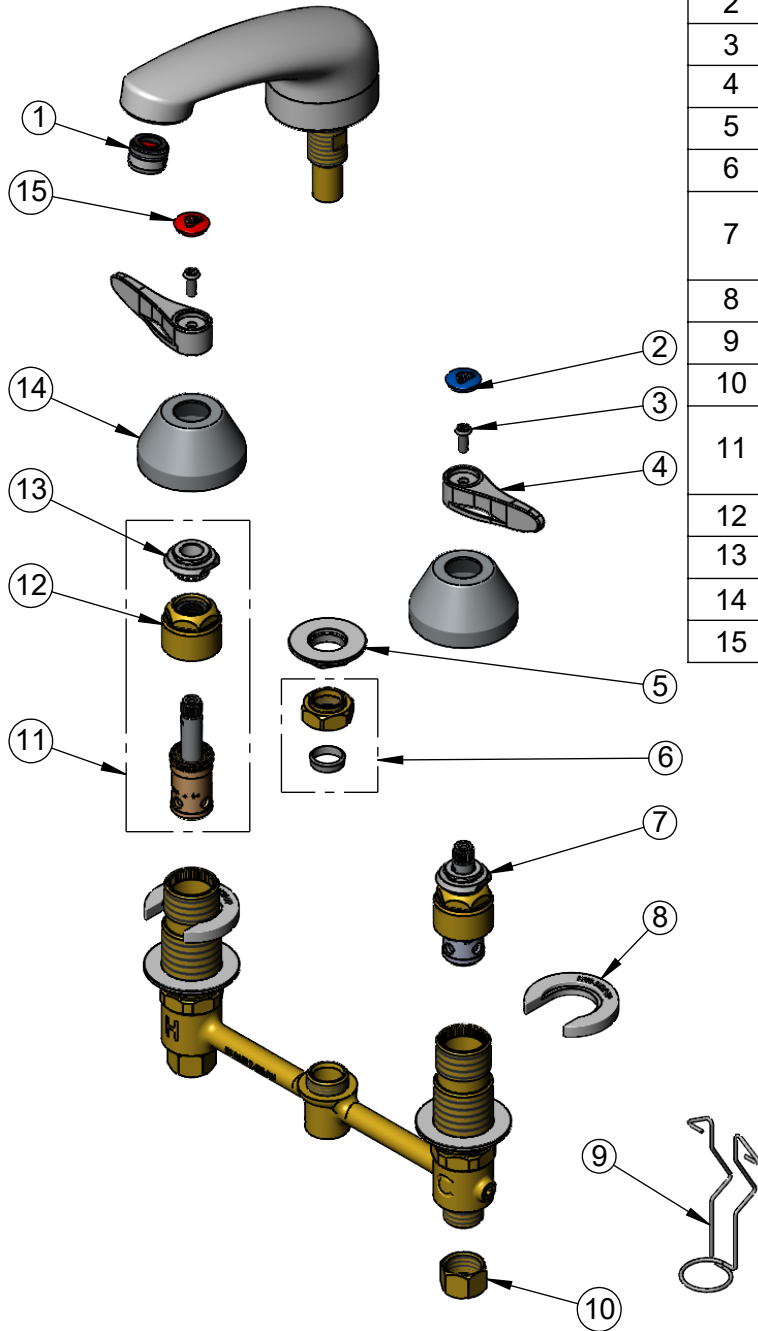
2 Saddleback Cove / P.O. Box 1088
Travelers Rest, SC 29690

Model No.

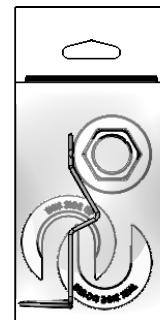
B-2990

Item No.

Travelers Rest, SC: 800-476-4103 • Simi Valley, CA: 800-423-0150 • Fax: 864-834-3518 • www.tsbrass.com



ITEM NO.	SALES NO.	DESCRIPTION
1	B-0199-03	2.2 GPM Aerator, 13/16-27 UN Male
2	018506-19NS	Blue Button Index, Press-in
3	000925-45	Lab Handle Screw
4	001638-45NS	Lever Handle (New Style)
5	016742-45	Center Flange Nut
6	016745-45	Compression Nut & Fitting
7	016752-40NS	EasyInstall CWS LTC Quarter-Turn Eterna Cartridge w/ Spring Check
8	016749-45	Sidebody C-Washer
9	016777-45	CWS Hanger
10	000958-20	Coupling Nut
11	016753-40NS	EasyInstall CWS RTC Quarter-Turn Eterna Cartridge w/ Spring Check
12	016743-20	CWS Eterna Bonnet
13	009002-40NS	Packing Nut (New Style)
14	001257-40NS	Bell Escutcheon
15	001193-19NS	Red Button Index, Press-in



017245-40
Installation Repair Kit
Includes #5, (2)#8, & #9

Product Specifications:

8" Concealed Widespread EasyInstall Lavatory Faucet, Quarter-Turn Eterna Cartridges w/ Spring Checks, Lever Handles, Lavatory Spout, 2.2 GPM Aerator & 1/2" NPT Male Inlets w/ Coupling Nuts

Product Compliance:

ASME A112.18.1 / CSA B125.1
NSF 61 - Section 9
NSF 372 (Low Lead Content)
ANSI A117.1 (ADA)