



T&S BRASS AND BRONZE WORKS, INC.
 2 Saddleback Cove / P.O. Box 1088
 Travelers Rest, SC 29690

Model No.
B-2990-FL

Item No.

Travelers Rest, SC: 800-476-4103 • Simi Valley, CA: 800-423-0150 • Fax: 864-834-3518 • www.tsbrass.com

This Space for Architect/Engineer Approval

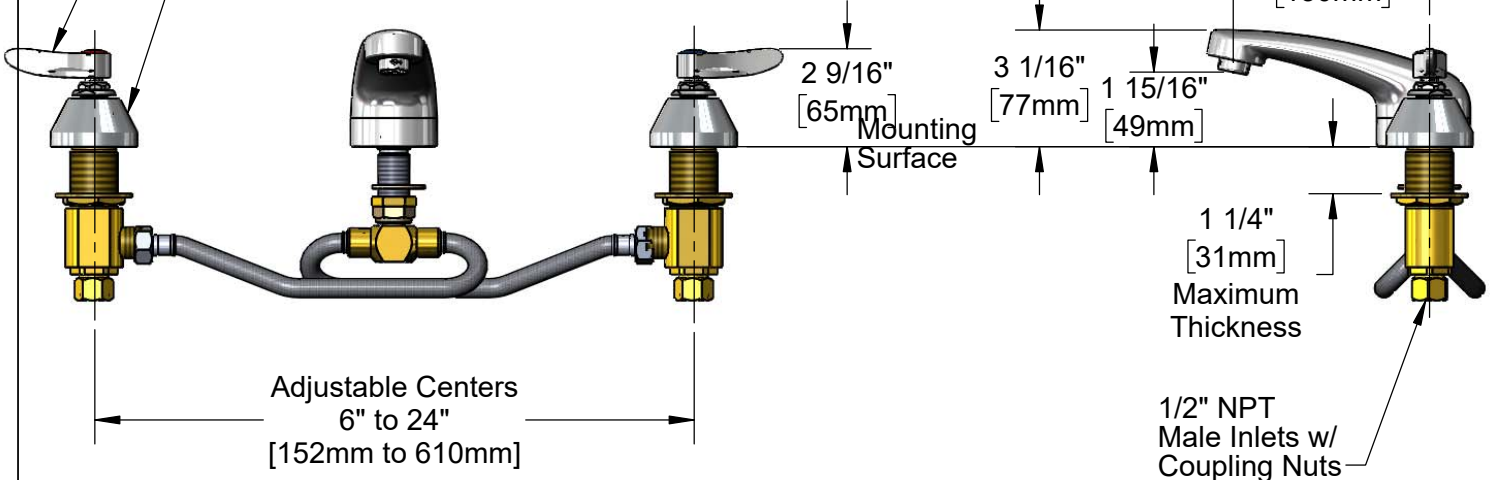
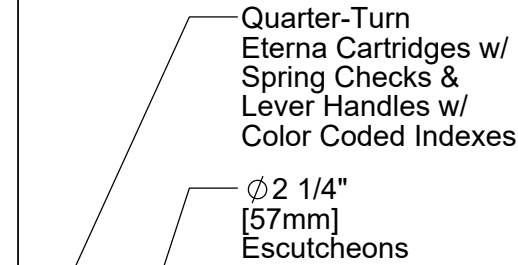
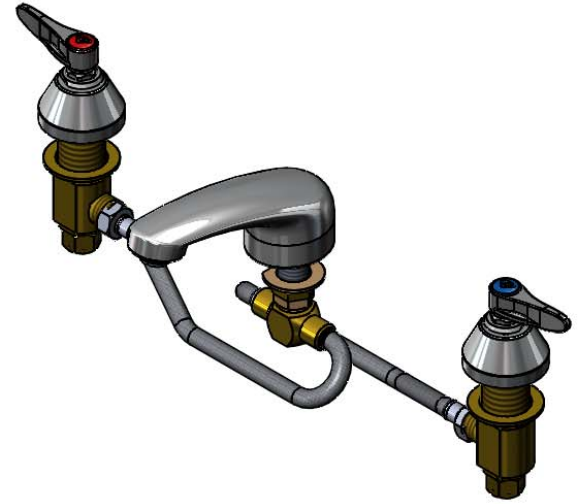
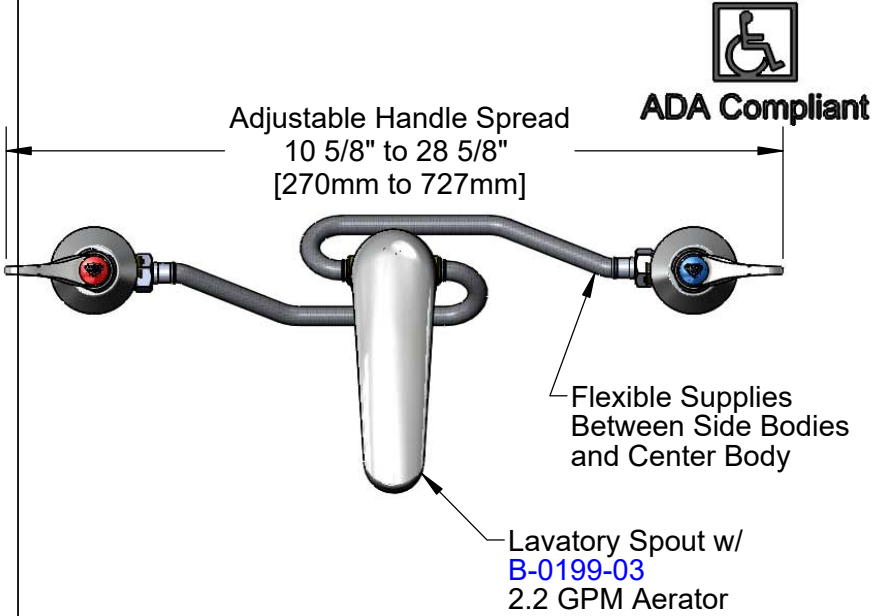
Job Name _____ Date _____

Model Specified _____ Quantity _____

Customer/Wholesaler _____

Contractor _____

Architect/Engineer _____



Rough-In Requirement:
 Center Shank: Ø 1" [25mm] Mounting Hole
 Hot/Cold Side: Ø 1 1/2" [38mm] Mounting Holes

Product Specifications:
 Adjustable Deck Mount Lavatory Faucet, Quarter-Turn Eterna Cartridges w/ Spring Checks, Lever Handles, Lavatory Spout, 2.2 GPM Aerator & 1/2" NPT Male Inlets

Product Compliance:
 ASME A112.18.1 / CSA B125.1
 NSF 61 - Section 9
 NSF 372 (Low Lead Content)
 ANSI A117.1 (ADA)



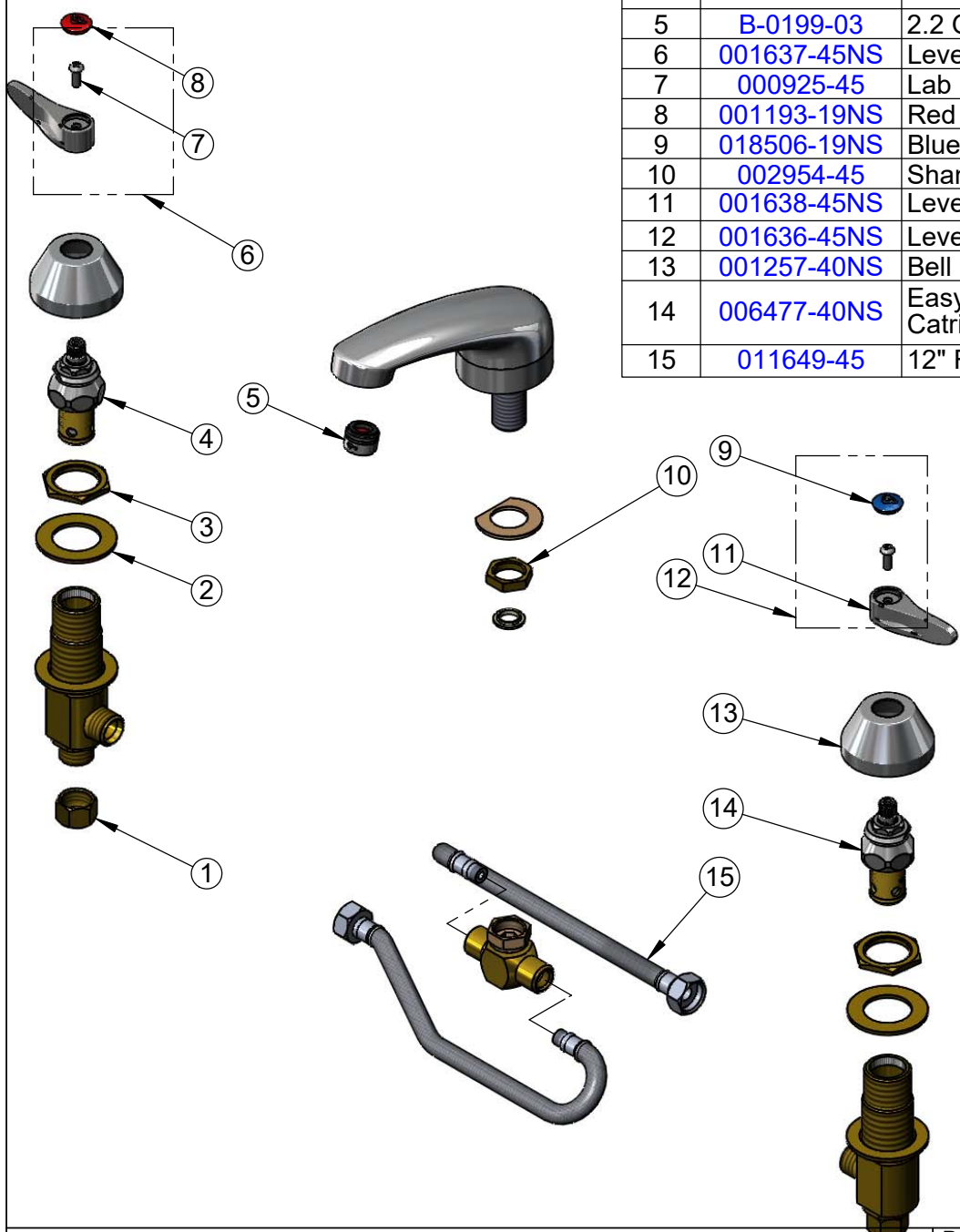
T&S BRASS AND BRONZE WORKS, INC.
 2 Saddleback Cove / P.O. Box 1088
 Travelers Rest, SC 29690

Model No.
B-2990-FL

Item No.

Travelers Rest, SC: 800-476-4103 • Simi Valley, CA: 800-423-0150 • Fax: 864-834-3518 • www.tsbrass.com

ITEM NO.	SALES NO.	DESCRIPTION
1	000958-20	Coupling Nut
2	002290-45	Lock Washer
3	000960-20	Nut, B-0850
4	006478-40NS	EasyInstall CWS Quarter-Turn Eterna Cartridge w/ Spring Check, RTC
5	B-0199-03	2.2 GPM Aerator
6	001637-45NS	Lever Handle, Red Index & Screw
7	000925-45	Lab Handle Screw
8	001193-19NS	Red Button Index, Press-in
9	018506-19NS	Blue Button Index, Press-in
10	002954-45	Shank Lock Nut
11	001638-45NS	Lever Handle (New Style)
12	001636-45NS	Lever Handle, Blue Index & Screw
13	001257-40NS	Bell Escutcheon
14	006477-40NS	EasyInstall CWS Quarter-Turn Eterna Cartridge w/ Spring Check, LTC
15	011649-45	12" Flexible Supply Hose (2)



Product Specifications:
 Adjustable Deck Mount Lavatory Faucet, Quarter-Turn Eterna Cartridges w/ Spring Checks, Lever Handles, Lavatory Spout, 2.2 GPM Aerator & 1/2" NPT Male Inlets

Product Compliance:
 ASME A112.18.1 / CSA B125.1
 NSF 61 - Section 9
 NSF 372 (Low Lead Content)
 ANSI A117.1 (ADA)