



T&S BRASS AND BRONZE WORKS, INC.

2 Saddleback Cove / P.O. Box 1088
Travelers Rest, SC 29690



REG. #A2601
ISO #9001

Model No.

B-2990-180F

Item No.

Travelers Rest, SC: 800-476-4103 Simi Valley, CA: 800-423-0150 Fax: 864-834-3518 www.tsbrass.com

This Space for Architect/Engineer Approval

Job Name _____ Date _____

Model Specified _____ Quantity _____

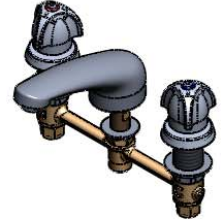
Customer/Wholesaler _____

Contractor _____

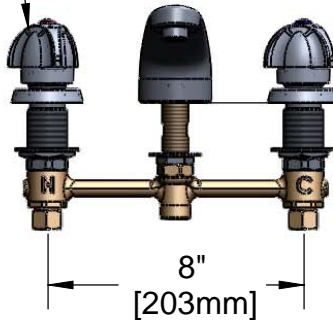
Architect/Engineer _____



ADA Compliant



3-Wing Handles
w/ Color Coded Indexes



8" [203mm]
Ø 2-1/4" [57mm]
Escutcheons

Lavatory Spout
w/ 2.2 GPM Aerator

2" [50mm]

5 1/4" [134mm]

Mounting
Surface

3 1/16" [77mm]

Fits Sinks
Up To
1-1/4" Thick
[32mm]

1/2" NPSM
Coupling Nuts

Note: Rough-In Required:

Ø 1" [25mm] for Center Shank

Ø 1-1/2" [38mm] for Hot/Cold Side [1-1/4" [32mm] Minimum]

Product Specifications:

**EasyInstall Faucet w/3-Wing Handles,
2 'Hot' Compression Cartridges, 8" Inlet Centers,
Lavatory Spout w/ 2.2 GPM Aerator**

Drawn
JRM

Checked
GEF

Approved
JHB

Scale:

NTS

Date:

12/08/08



T&S BRASS AND BRONZE WORKS, INC.

2 Saddleback Cove / P.O. Box 1088
Travelers Rest, SC 29690



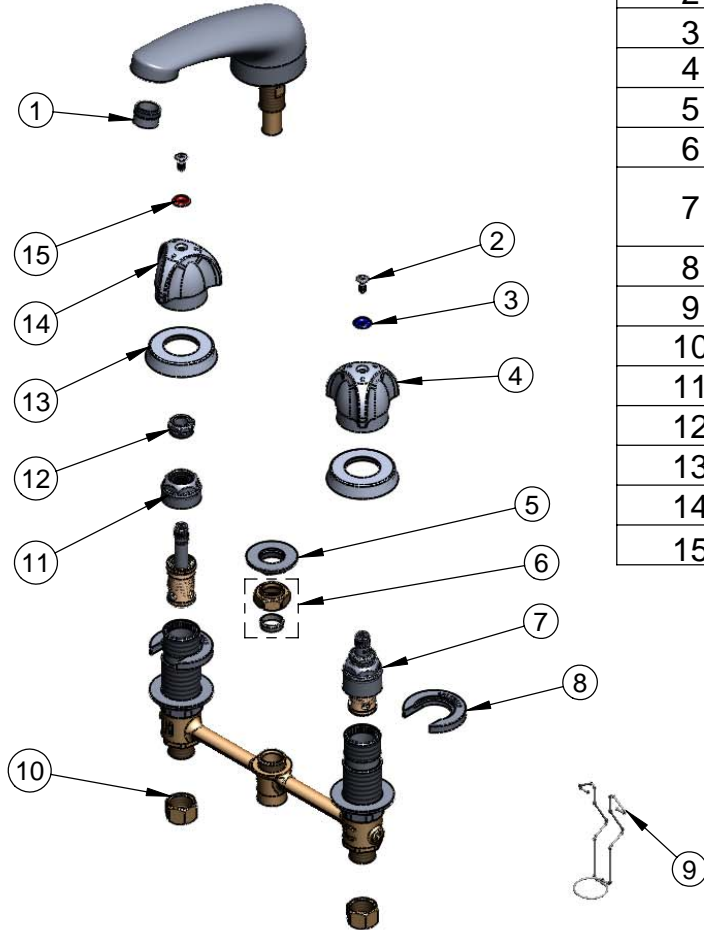
REG. #A2601
ISO #9001

Model No.

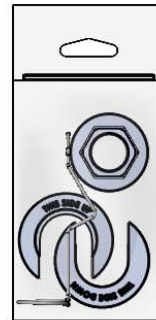
B-2990-180F

Item No.

Travelers Rest, SC: 800-476-4103 Simi Valley, CA: 800-423-0150 Fax: 864-834-3518 www.tsbrass.com



ITEM NO.	SALES NO.	DESCRIPTION
1	B-0199-03	2.2 GPM Aerator
2	000922-45	Lever Handle Screw
3	001660-45	Blue Index-CW
4	001784-40	Lav. Handle, 3 Wing - Cold
5	016742-45	Center Flange Nut
6	016745-45	Compression Nut & Fitting
7	017327-40	CWS EasyInstall RTC Eterna (Teflon) -Short Bonnet
8	016749-45	Sidebody C-Washer
9	016777-45	CWS Hanger
10	000958-20	Coupling Nut
11	016743-25	CWS Bonnet Assembly
12	009002-25	Packing Nut Assembly
13	017292-45	Metering CWS Escutcheon
14	001783-40	Lav. Handle, 3 Wing - Hot
15	001661-45	Red Index-HW



017245-40
Installation Repair Kit
Includes #5, (2)#8, & #9

Product Specifications:

EasyInstall Faucet w/3-Wing Handles,
2 'Hot' Compression Cartridges, 8" Inlet Centers,
Lavatory Spout w/ 2.2 GPM Aerator

Drawn JRM	Checked GEF	Approved JHB
Scale: NTS		Date: 12/08/08