



T&S BRASS AND BRONZE WORKS, INC.
 2 Saddleback Cove / P.O. Box 1088
 Travelers Rest, SC 29690

Model No.
B-2970

Item No.

Travelers Rest, SC: 800-476-4103 • Simi Valley, CA: 800-423-0150 • Fax: 864-834-3518 • www.tsbrass.com



ADA Compliant

This Space for Architect/Engineer Approval

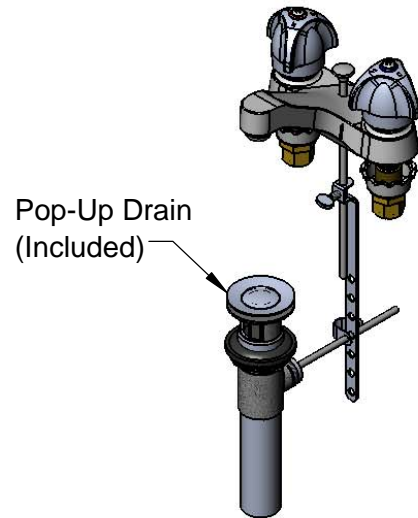
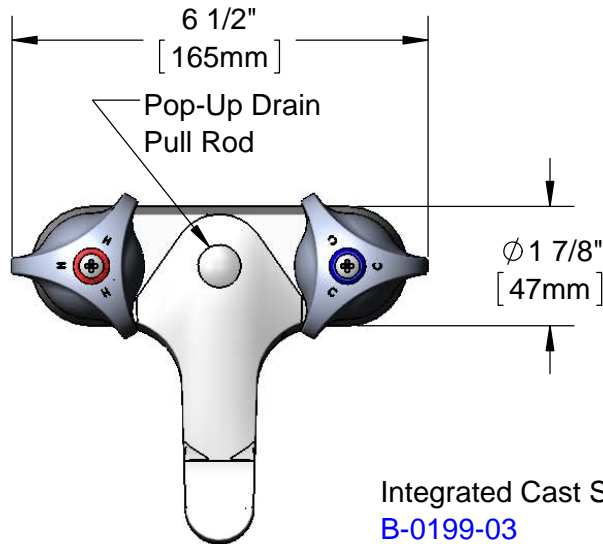
Job Name _____ Date _____

Model Specified _____ Quantity _____

Customer/Wholesaler _____

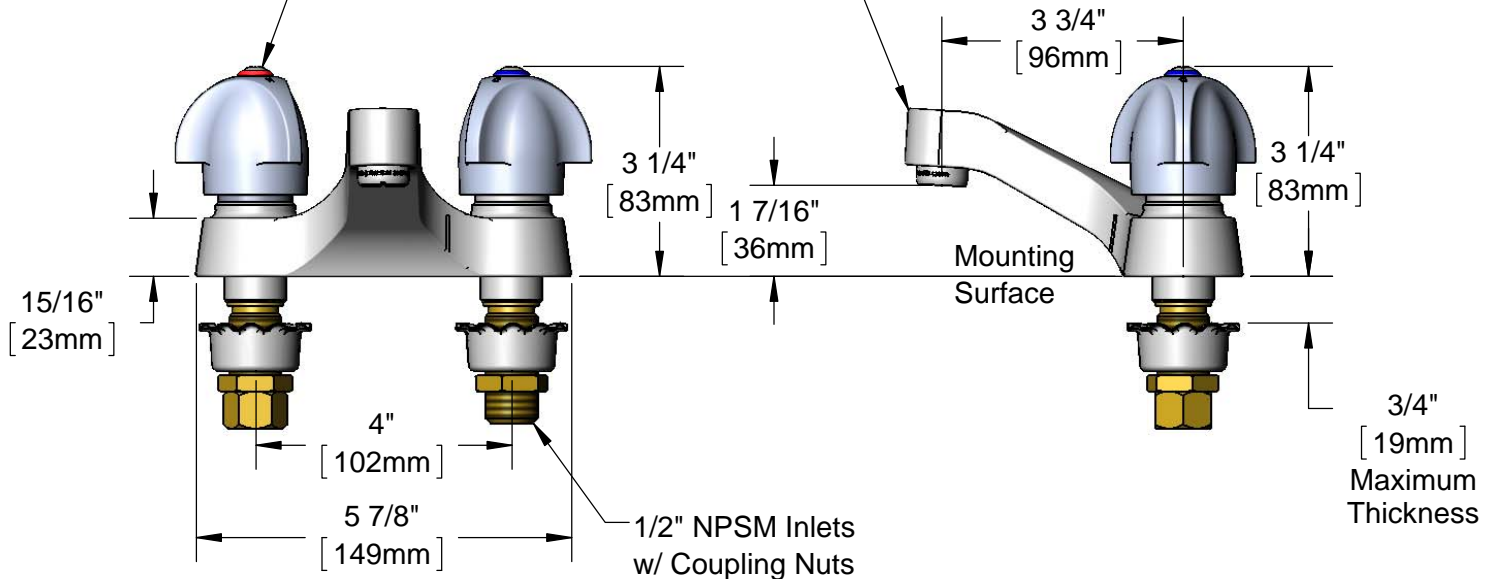
Contractor _____

Architect/Engineer _____



Integrated Cast Spout w/
B-0199-03
 2.2 GPM Aerator

Eterna Cartridges &
 3 Wing Faucet Handles
 w/ Color Coded Indexes



Rough-In Requirement:
 (2) ϕ 1" [25mm] Mounting Holes

Product Specifications:
 4" Centerset Mixing Faucet, Eterna Cartridges, Cast Spout, 2.2 GPM Aerator,
 3-Wing Handles, Pop Up Drain w/ Pull Rod & 1/2" NPSM Male Inlets

Product Compliance:
 ASME A112.18.1 / CSA B125.1
 NSF 61 - Section 9
 NSF 372 (Low Lead Content)
 ANSI A117.1 (ADA)

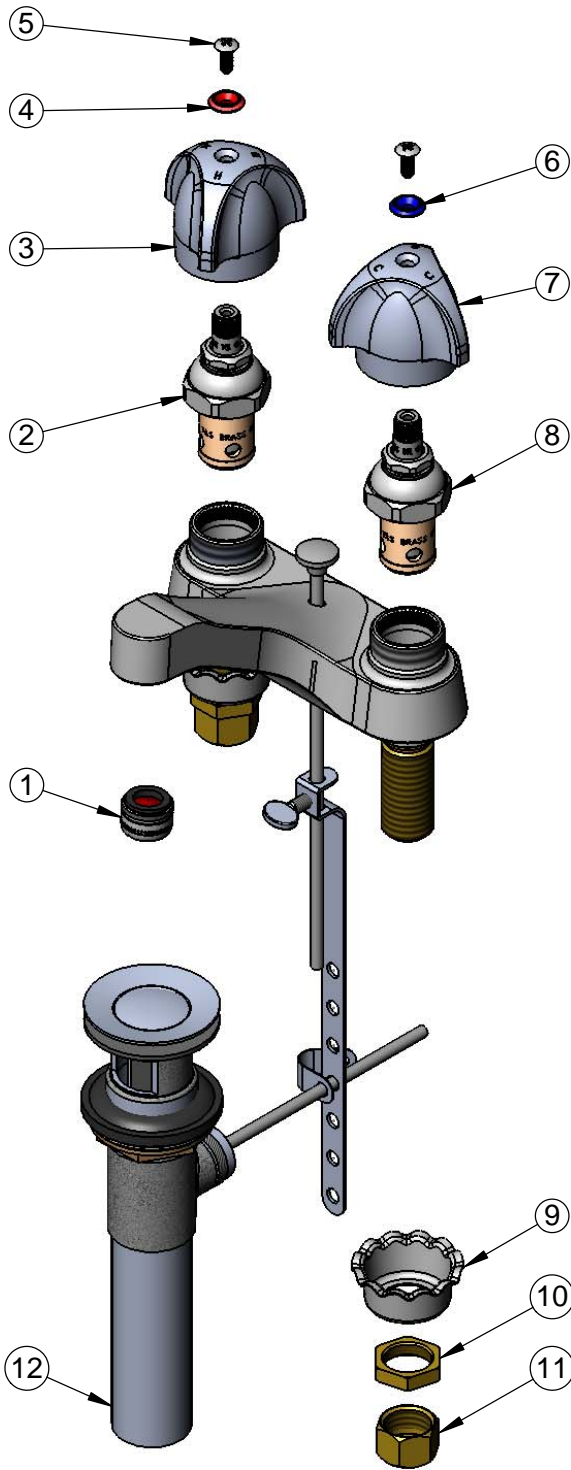


T&S BRASS AND BRONZE WORKS, INC.
 2 Saddleback Cove / P.O. Box 1088
 Travelers Rest, SC 29690

Model No.
B-2970

Item No.

Travelers Rest, SC: 800-476-4103 • Simi Valley, CA: 800-423-0150 • Fax: 864-834-3518 • www.tsbrass.com



ITEM NO.	SALES NO.	DESCRIPTION
1	B-0199-03	2.2 GPM Aerator
2	005960-40	Eterna Cartridge, RTC
3	001783-40	Lav. Handle, 3 Wing - Hot
4	001661-45	Red Index-HW
5	000922-45	Lever Handle Screw
6	001660-45	Blue Index-CW
7	001784-40	Lav. Handle, 3 Wing - Cold
8	005959-40	Eterna Cartridge, LTC
9	001000-45	Rosette Washer
10	002954-45	Shank Lock Nut
11	000958-20	Coupling Nut
12	B-0898	Pop-Up Drain w/ Pull Rod

Product Specifications:
 4" Centerset Mixing Faucet, Eterna Cartridges, Cast Spout, 2.2 GPM Aerator,
 3-Wing Handles, Pop Up Drain w/ Pull Rod & 1/2" NPSM Male Inlets

Product Compliance:
 ASME A112.18.1 / CSA B125.1
 NSF 61 - Section 9
 NSF 372 (Low Lead Content)
 ANSI A117.1 (ADA)