

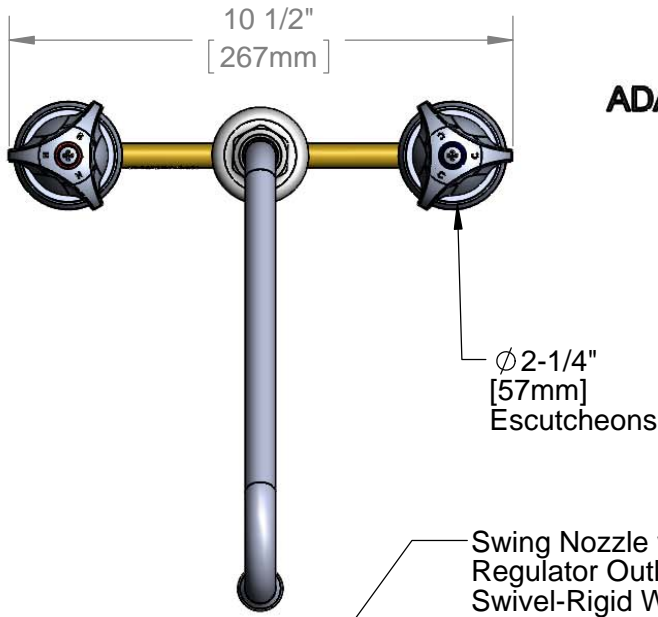


**T&S BRASS AND BRONZE WORKS, INC.**  
 2 Saddleback Cove / P.O. Box 1088  
 Travelers Rest, SC 29690

Model No.  
**B-2955**

Item No.

Travelers Rest, SC: 800-476-4103 • Simi Valley, CA: 800-423-0150 • Fax: 864-834-3518 • www.tsbrass.com



**ADA Compliant**

This Space for Architect/Engineer Approval

Job Name \_\_\_\_\_ Date \_\_\_\_\_

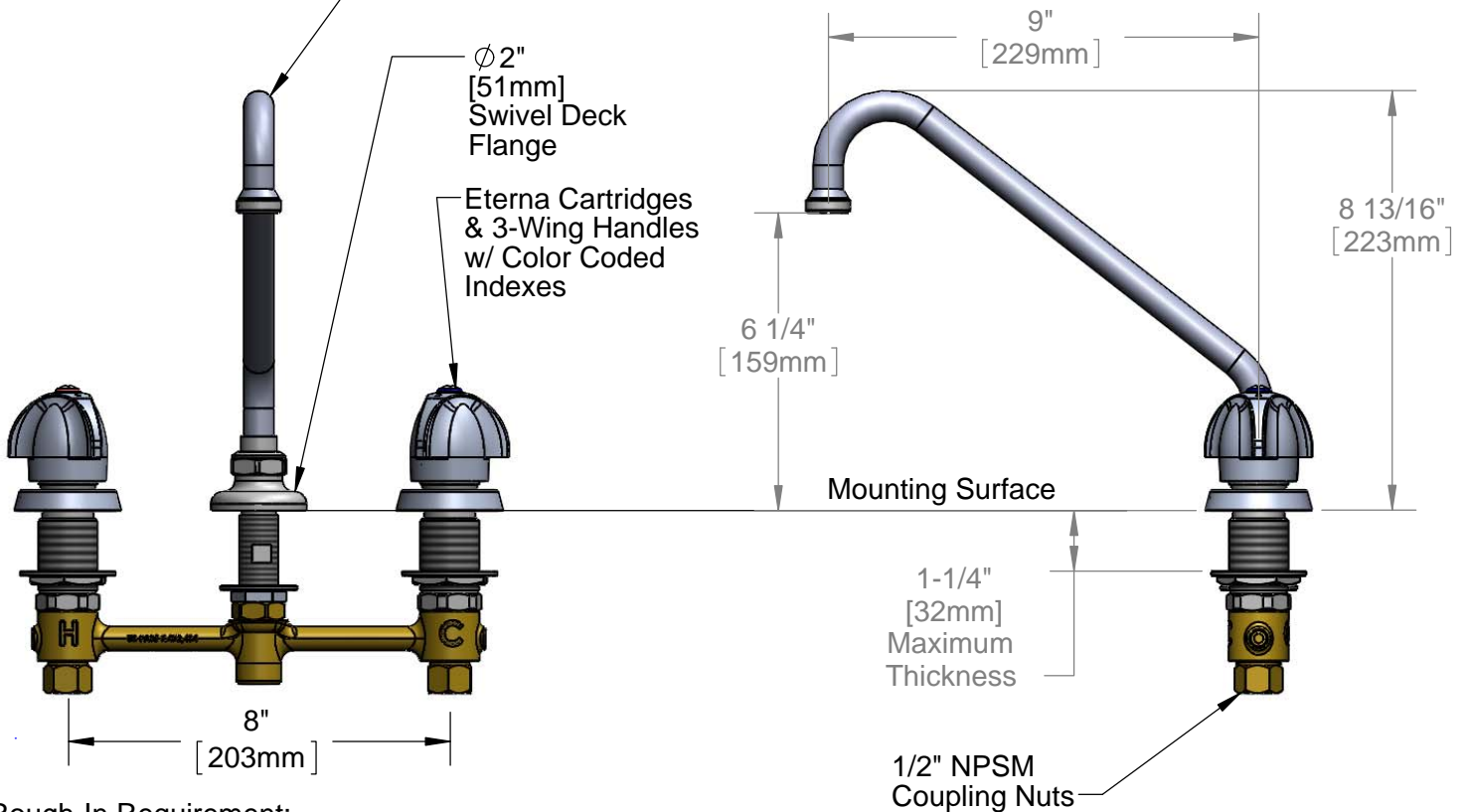
Model Specified \_\_\_\_\_ Quantity \_\_\_\_\_

Customer/Wholesaler \_\_\_\_\_

Contractor \_\_\_\_\_

Architect/Engineer \_\_\_\_\_

Swing Nozzle w/ Stream  
 Regulator Outlet (Optional  
 Swivel-Rigid Washer Included)



**Rough-In Requirement:**  
 Center Shank: Ø 1" [25mm] Mounting Hole  
 Hot/Cold Side: Ø 1 1/2" [38mm] Mounting Holes

**Product Specifications:**  
 8" Deck Mount EasyInstall Faucet, Eterna Cartridges, 3-Wing Handles,  
 9" Swing Nozzle w/ Stream Regulator Outlet & 1/2" NPSM Male Inlets

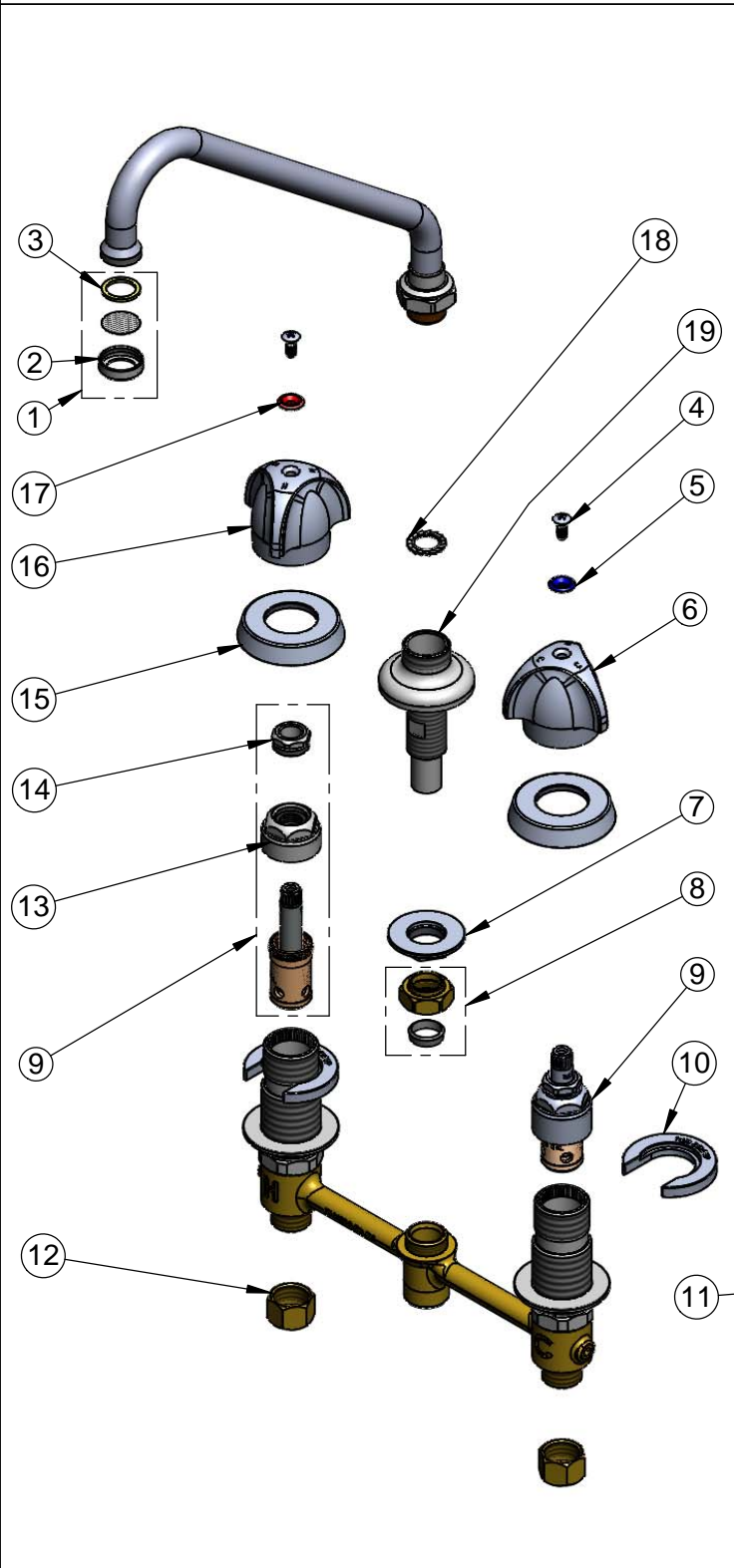
**Product Compliance:**  
 ASME A112.18.1 / CSA B125.1  
 NSF 61 - Section 9  
 NSF 372 (Low Lead Content)  
 ANSI A117.1 (ADA)



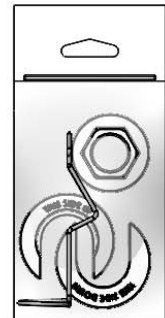
**T&S BRASS AND BRONZE WORKS, INC.**  
 2 Saddleback Cove / P.O. Box 1088  
 Travelers Rest, SC 29690

Model No.  
**B-2955**  
 Item No.

Travelers Rest, SC: 800-476-4103 • Simi Valley, CA: 800-423-0150 • Fax: 864-834-3518 • www.tsbrass.com



ITEM NO.	SALES NO.	DESCRIPTION
1	B-PT	Stream Regulator Outlet
2	000863-25	Index Ring
3	001048-45	Nozzle Tip Washer
4	000922-45	Lever Handle Screw
5	001660-45	Blue Index-CW
6	001784-40	Lavatory Handle, 3-Wing - Cold
7	016742-45	Center Flange Nut
8	016745-45	Compression Nut & Fitting
9	017327-40	CWS EasyInstall RTC Eterna (Teflon)
10	016749-45	Sidebody C-Washer
11	016777-45	CWS Hanger
12	000958-20	Coupling Nut
13	016743-25	CWS Bonnet
14	009002-25	Packing Nut
15	017292-45	Metering CWS Escutcheon
16	001783-40	Lavatory Handle, 3-Wing - Hot
17	001661-45	Red Index-HW
18	014200-45	Star Washer, Anti-Rotation
19	016754-40	EasyInstall CWS Swivel Center Shank



**017245-40**  
 Installation Repair Kit  
 Includes #7, (2)#10, & #11

**Product Specifications:**  
 8" Deck Mount EasyInstall Faucet, Eterna Cartridges, 3-Wing Handles, 9" Swing Nozzle w/ Stream Regulator Outlet & 1/2" NPSM Male Inlets

**Product Compliance:**  
 ASME A112.18.1 / CSA B125.1  
 NSF 61 - Section 9  
 NSF 372 (Low Lead Content)  
 ANSI A117.1 (ADA)