



**T&S BRASS AND BRONZE WORKS, INC.**  
 2 Saddleback Cove / P.O. Box 1088  
 Travelers Rest, SC 29690

Model No.  
**B-2892**

Item No.

Travelers Rest, SC: 800-476-4103 • Simi Valley, CA: 800-423-0150 • Fax: 864-834-3518 • www.tsbrass.com

This Space for Architect/Engineer Approval

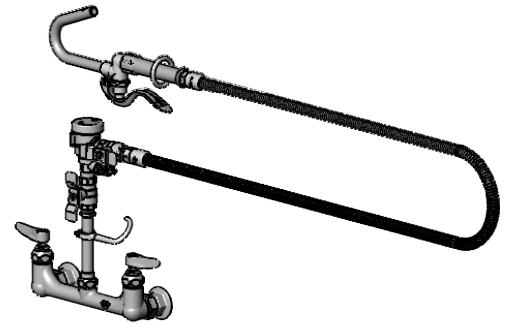
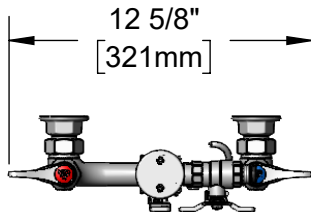
Job Name \_\_\_\_\_ Date \_\_\_\_\_

Model Specified \_\_\_\_\_ Quantity \_\_\_\_\_

Customer/Wholesaler \_\_\_\_\_

Contractor \_\_\_\_\_

Architect/Engineer \_\_\_\_\_



Squeeze Valve w/  
 Hook Nozzle

**B-0963**

Continuous Pressure  
 Vacuum Breaker w/  
 Integral Check Valve

Quarter-Turn  
 Eterna Cartridges w/  
 Spring Checks &  
 Lever Handles w/  
 Color Coded Indexes

68" Flexible  
 Stainless  
 Steel Hose

Items Not  
 Shown for  
 Clarity

Finger Hook

10"  
 [254mm]

11 1/2"  
 [292mm]

3 11/16"  
 [94mm]

8"  
 [203mm]

2 3/8"  
 [61mm]

Adjustable From  
 7 3/4" to 8 1/4"  
 [197mm to 210mm]

Ø 2" [51mm]  
 Flanges w/  
 1/2" NPT  
 Female Inlets

**Product Specifications:**

Kettle & Pot Filler 8" Wall Mount Mixing Faucet, Quarter-Turn Eterna Cartridges w/ Spring Checks, Vacuum Breaker, 68" Flexible Stainless Steel Hose, Squeeze Valve w/ Hook Nozzle & 1/2" NPT Female Inlets

**Product Compliance:**

ASME A112.18.1 / CSA B125.1  
 NSF 61 - Section 9  
 NSF 372 (Low Lead Content)  
 ASSE 1056 (VB)  
 2019 DOE PRSV Non-Compliant



# T&S BRASS AND BRONZE WORKS, INC.

2 Saddleback Cove / P.O. Box 1088  
Travelers Rest, SC 29690

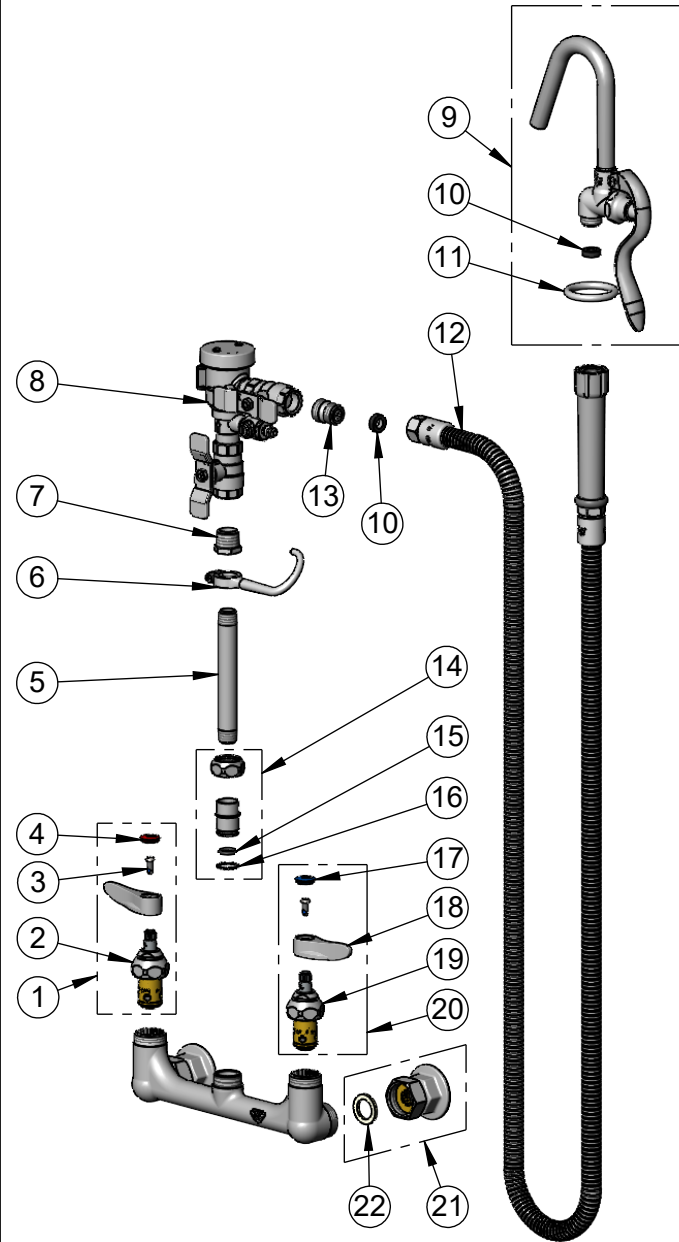
Model No.

**B-2892**

Item No.

Travelers Rest, SC: 800-476-4103 • Simi Valley, CA: 800-423-0150 • Fax: 864-834-3518 • www.tsbrass.com

ITEM NO.	SALES NO.	DESCRIPTION
1	002712-40NS	Quarter-Turn Eterna Cartridge w/ Spring Check, Handle, Red Index & Screw, RTC
2	012443-40NS	Quarter-Turn Eterna Cartridge w/ Spring Check, RTC
3	000925-45	Lab Handle Screw
4	001193-19NS	Red Button Index, Press-in
5	000361-40	Nipple, 3/8" NPT x 5"
6	004R	Finger Hook
7	001359-40	Hex Bushing, 1/2" NPT Male x 3/8" NPT Female
8	B-0963	Vacuum Breaker 1/2" NPT Female
9	002851-40	Self Closing Squeeze Valve w/ Hook Nozzle
10	010476-45	#27 Washer
11	000907-45	Spray Valve Hold Down Ring
12	B-0068-H	68" Flexible Stainless Steel Hose w/ Handle
13	055A	Adapter, 1/2 NPT Male
14	EZ-K	EasyInstall Kit
15	001065-45	O-Ring
16	014200-45	Star Washer, Anti-Rotation
17	018506-19NS	Blue Button Index, Press-in
18	001638-45NS	Lever Handle (New Style)
19	012442-40NS	Quarter-Turn Eterna Cartridge w/ Spring Check, LTC
20	002711-40NS	Quarter-Turn Eterna Cartridge w/ Spring Check, Handle, Blue Index & Screw, LTC
21	00AA	1/2" NPT Female Eccentric Flange
22	001019-45	Coupling Nut Washer



**Product Specifications:**

Kettle & Pot Filler 8" Wall Mount Mixing Faucet, Quarter-Turn Eterna Cartridges w/ Spring Checks, Vacuum Breaker, 68" Flexible Stainless Steel Hose, Squeeze Valve w/ Hook Nozzle & 1/2" NPT Female Inlets

**Product Compliance:**

ASME A112.18.1 / CSA B125.1  
NSF 61 - Section 9  
NSF 372 (Low Lead Content)  
ASSE 1056 (VB)  
2019 DOE PRSV Non-Compliant