



T&S BRASS AND BRONZE WORKS, INC.

2 Saddleback Cove / P.O. Box 1088
Travelers Rest, SC 29690

Model No.

B-2866

Item No.

Travelers Rest, SC: 800-476-4103 • Simi Valley, CA: 800-423-0150 • Fax: 864-834-3518 • www.tsbrass.com



ADA Compliant

This Space for Architect/Engineer Approval

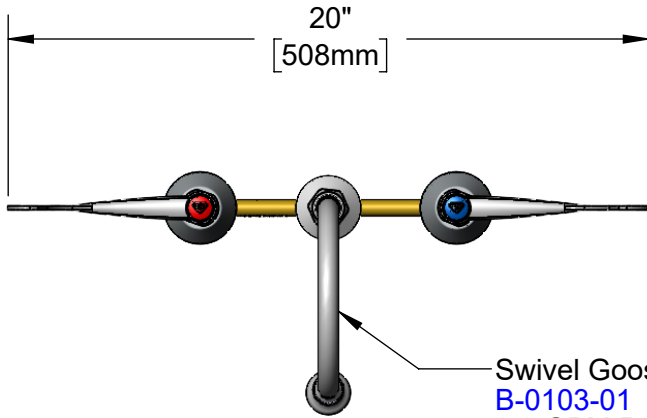
Job Name _____ Date _____

Model Specified _____ Quantity _____

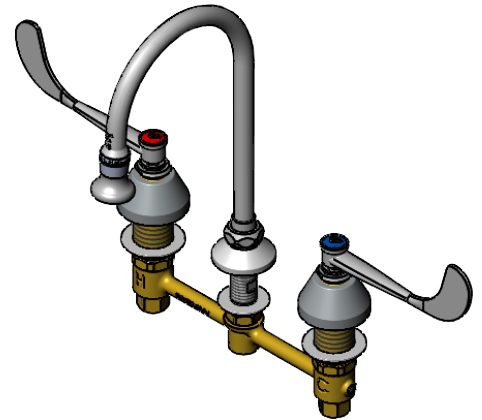
Customer/Wholesaler _____

Contractor _____

Architect/Engineer _____

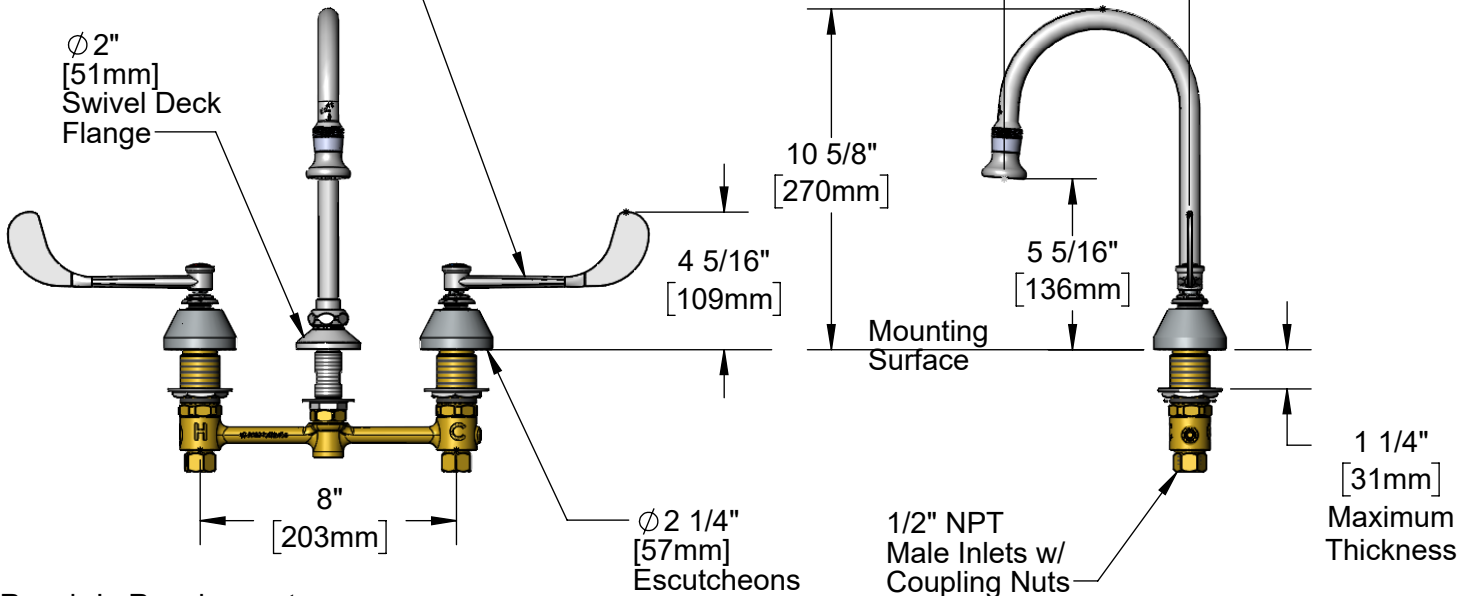


Swivel Gooseneck w/
B-0103-01
2.2 GPM Rosespray Outlet.
Rigid Conversion Requires
014200-45 Lock Washer
(Included)



Quarter-Turn
Eterna Cartridges w/
Spring Checks &
6" Wrist Action Handles
w/ Color Coded Indexes

Ø 2"
[51mm]
Swivel Deck
Flange



Rough-In Requirement:
Center Shank: Ø 1" [25mm] Mounting Hole
Hot/Cold Side: Ø 1 1/2" [38mm] Mounting Holes

Product Specifications:

EasyInstall 8" Concealed Widespread Mixing Faucet, Quarter-Turn Eterna Cartridges w/ Spring Checks, 6" Wrist Action Handles, 5 13/16" Rigid/Swivel Gooseneck, w/ 2.2 GPM Rosespray Outlet & 1/2" NPT Male Inlets

Product Compliance:

ASME A112.18.1 / CSA B125.1
NSF 61 - Section 9
NSF 372 (Low Lead Content)
ANSI A117.1 (ADA)



T&S BRASS AND BRONZE WORKS, INC.

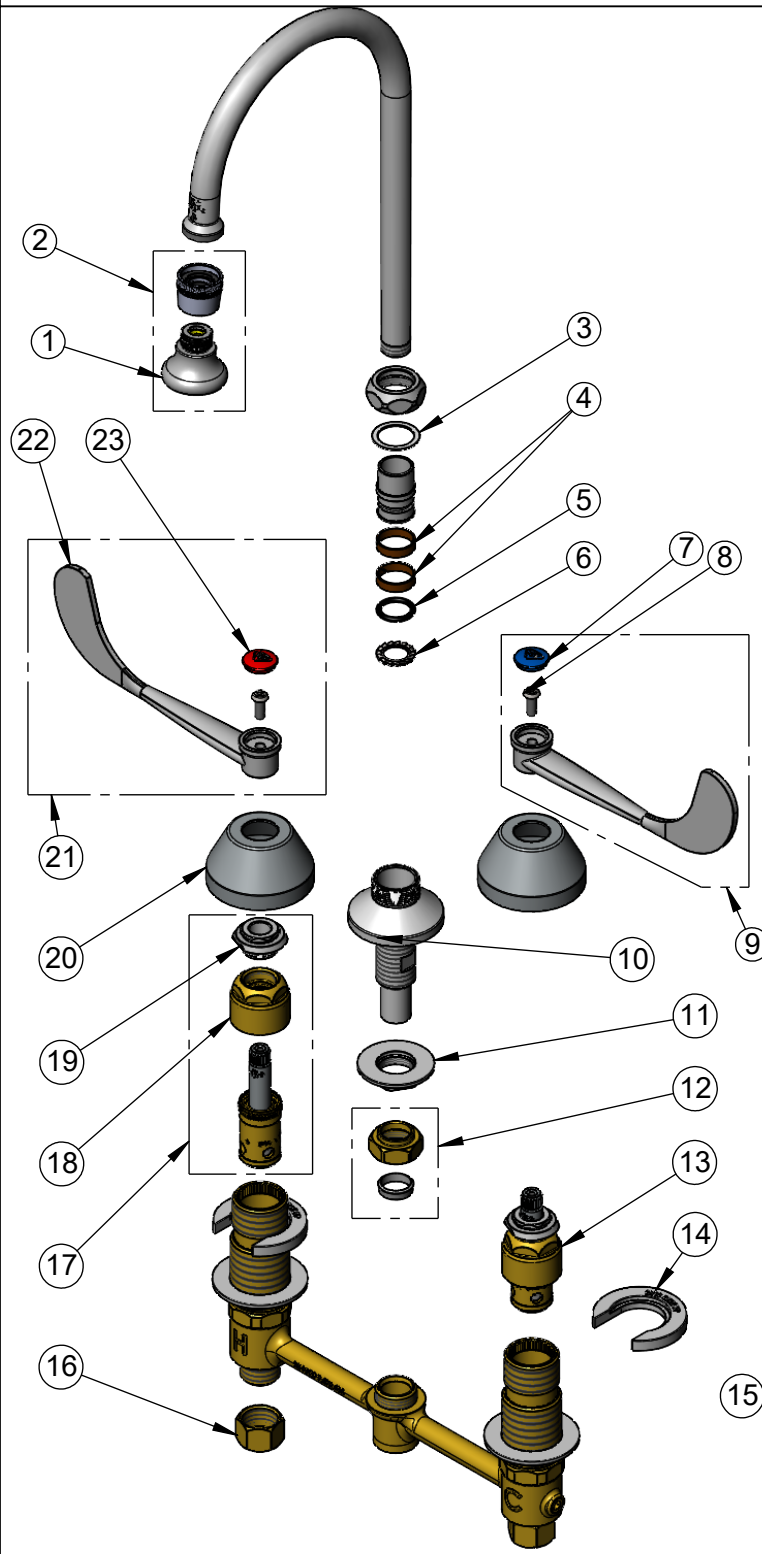
2 Saddleback Cove / P.O. Box 1088
Travelers Rest, SC 29690

Model No.

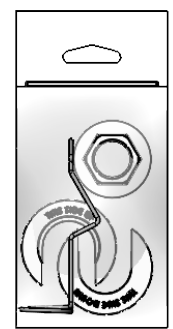
B-2866

Item No.

Travelers Rest, SC: 800-476-4103 • Simi Valley, CA: 800-423-0150 • Fax: 864-834-3518 • www.tsbrass.com



ITEM NO.	SALES NO.	DESCRIPTION
1	B-0103	2.2 GPM Rosespray Outlet
2	B-0103-01	2.2 GPM Rosespray Outlet w/ Adapter
3	009538-45	Swivel Washer
4	011429-45	Swivel Sleeves (2)
5	001074-45	O-Ring
6	014200-45	Star Washer, Anti-Rotation
7	018506-19NS	Blue Button Index, Press-in
8	000925-45	Lab Handle Screw
9	B-WH6C-NS	6" Wrist Action Handle, Blue Index & Screw
10	016754-40NS	EasyInstall CWS Swivel Center Shank (New Style)
11	016742-45	Center Flange Nut
12	016745-45	Compression Nut & Fitting
13	016752-40NS	EasyInstall, CWS Quarter-Turn Eterna Cartridge w/ Spring Check, LTC
14	016749-45	Sidebody C-Washer
15	016777-45	CWS Hanger
16	000958-20	Coupling Nut
17	016753-40NS	EasyInstall, CWS Quarter-Turn Eterna Cartridge w/ Spring Check, RTC
18	016743-20	Eterna Bonnet - EXTENDED
19	009002-40NS	Packing Assembly (New Style)
20	001257-40NS	Bell Escutcheon
21	B-WH6H-NS	6" Wrist Action Handle, Red Index & Screw
22	B-WH6	6" Wrist Action Handle
23	001193-19NS	Red Button Index, Press-in



017245-40
Installation Repair Kit
Includes 11, #15, & (2)#14

Product Specifications:
EasyInstall 8" Concealed Widespread Mixing Faucet, Quarter-Turn Eterna Cartridges w/ Spring Checks, 6" Wrist Action Handles, 5 13/16" Rigid/Swivel Gooseneck, w/ 2.2 GPM Rosespray Outlet & 1/2" NPT Male Inlets

Product Compliance:
ASME A112.18.1 / CSA B125.1
NSF 61 - Section 9
NSF 372 (Low Lead Content)
ANSI A117.1 (ADA)