



# T&S BRASS AND BRONZE WORKS, INC.

2 Saddleback Cove / P.O. Box 1088  
Travelers Rest, SC 29690

Model No.

**B-2866-VF05**

Item No.

Travelers Rest, SC: 800-476-4103 • Simi Valley, CA: 800-423-0150 • Fax: 864-834-3518 • www.tsbrass.com

This Space for Architect/Engineer Approval

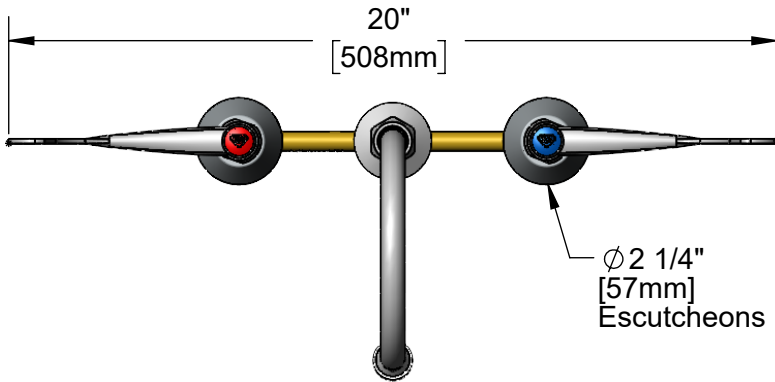
Job Name \_\_\_\_\_ Date \_\_\_\_\_

Model Specified \_\_\_\_\_ Quantity \_\_\_\_\_

Customer/Wholesaler \_\_\_\_\_

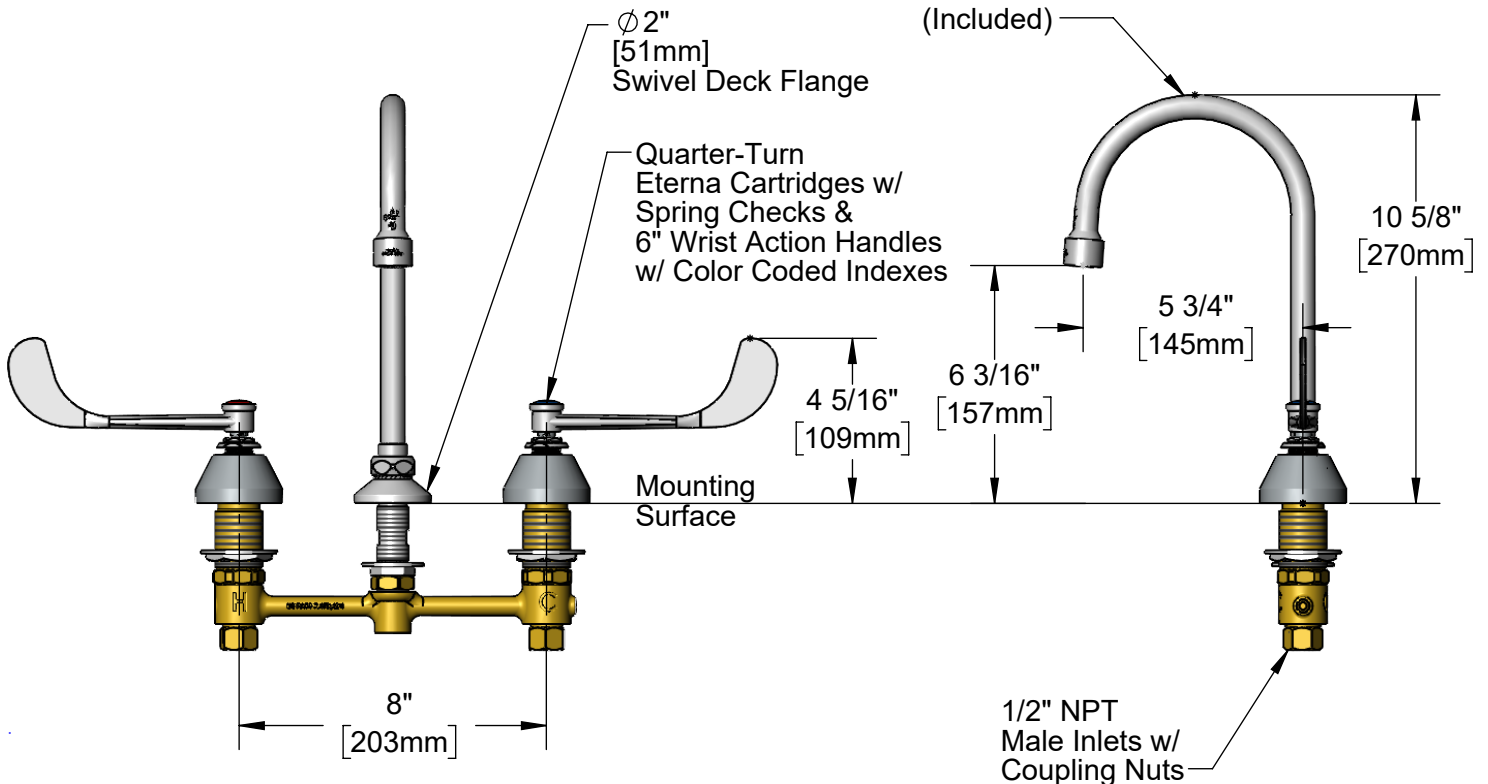
Contractor \_\_\_\_\_

Architect/Engineer \_\_\_\_\_



**ADA Compliant**

Swivel Gooseneck w/  
**B-0199-06-N05**  
VR 0.5 GPM Non-Aerated  
Spray Device.  
Rigid Conversion Requires  
**014200-45** Lock Washer  
(Included)



**Rough-In Requirement:**  
Center Shank:  $\phi$  1" [25mm] Mounting Hole  
Hot/Cold Side:  $\phi$  1 1/2" [38mm] Mounting Holes

**Product Specifications:**  
8" Concealed Widespread EasyInstall Faucet w/ 6" Wrist Action Handles, VR Screws, Quarter-Turn Eterna Cartridges w/ Spring Checks, 5 3/4" Swivel/Rigid Gooseneck w/ Vandal Resistant 0.5 GPM Non-Aerated Spray Device & 1/2" NPT Male Inlets

**Product Compliance:**  
ASME A112.18.1 / CSA B125.1  
NSF 61 - Section 9  
NSF 372 (Low Lead Content)  
ANSI A117.1 (ADA)



# T&S BRASS AND BRONZE WORKS, INC.

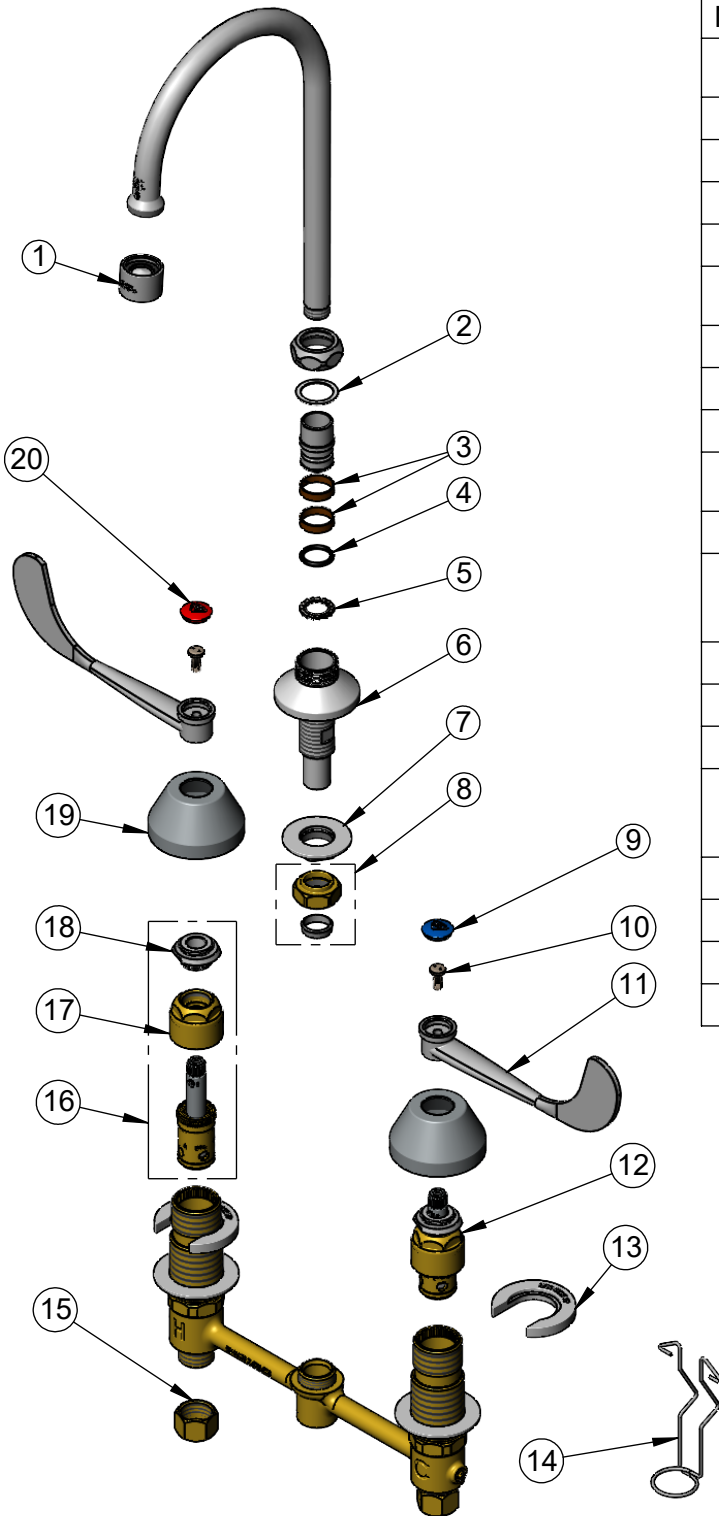
2 Saddleback Cove / P.O. Box 1088  
Travelers Rest, SC 29690

Model No.

**B-2866-VF05**

Item No.

Travelers Rest, SC: 800-476-4103 • Simi Valley, CA: 800-423-0150 • Fax: 864-834-3518 • www.tsbrass.com



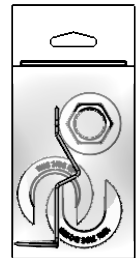
ITEM NO.	SALES NO.	DESCRIPTION
1	B-0199-06-N05	0.5 GPM VR Non-Aerated Spray Device, 55/64-27 Female
2	009538-45	Swivel Washer
3	011429-45	Swivel Sleeves (2)
4	001074-45	O-Ring
5	014200-45	Star Washer, Anti-Rotation
6	016754-40NS	EasyInstall CWS Swivel Center (New Style)
7	016742-45	Center Flange Nut
8	016745-45	Compression Nut & Fitting
9	018506-19NS	Blue Button Index, Press-in
10	VRS-2	VR Wrist Action Handle Screw (2) w/ Spanner Bit
11	B-WH6	6" Wrist Action Handle
12	016752-40NS	EasyInstall, CWS Quarter-Turn Eterna Cartridge w/ Spring Check, LTC
13	016749-45	Sidebody C-Washer
14	016777-45	CWS Hanger
15	000958-20	Coupling Nut
16	016753-40NS	EasyInstall, CWS Quarter-Turn Eterna Cartridge w/ Spring Check, RTC
17	016743-20	CWS Eterna Bonnet
18	009002-40NS	Packing Assembly (New Style)
19	001257-40NS	Bell Escutcheon
20	001193-19NS	Red Button Index, Press-in



015425-45  
Vandal Resistant Key



014075-45  
#10 Spanner Bit



017245-40  
Installation Repair Kit  
Includes #7, (2)#13, #14

**Product Specifications:**

8" Concealed Widespread EasyInstall Faucet w/ 6" Wrist Action Handles, VR Screws, Quarter-Turn Eterna Cartridges w/ Spring Checks, 5 3/4" Swivel/Rigid Gooseneck w/ Vandal Resistant 0.5 GPM Non-Aerated Spray Device & 1/2" NPT Male Inlets

**Product Compliance:**

ASME A112.18.1 / CSA B125.1  
NSF 61 - Section 9  
NSF 372 (Low Lead Content)  
ANSI A117.1 (ADA)