



# T&S BRASS AND BRONZE WORKS, INC.

2 Saddleback Cove / P.O. Box 1088  
Travelers Rest, SC 29690

Model No.

**B-2866-F05**

Item No.

Travelers Rest, SC: 800-476-4103 • Simi Valley, CA: 800-423-0150 • Fax: 864-834-3518 • www.tsbrass.com



**ADA Compliant**

This Space for Architect/Engineer Approval

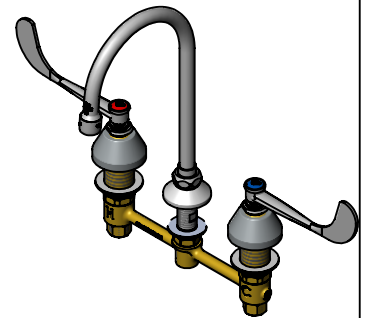
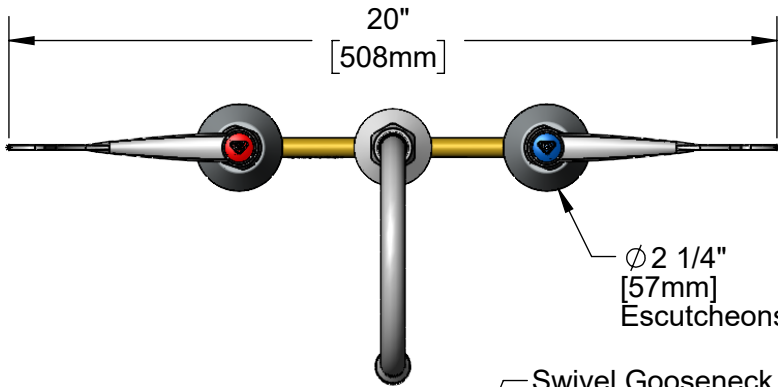
Job Name \_\_\_\_\_ Date \_\_\_\_\_

Model Specified \_\_\_\_\_ Quantity \_\_\_\_\_

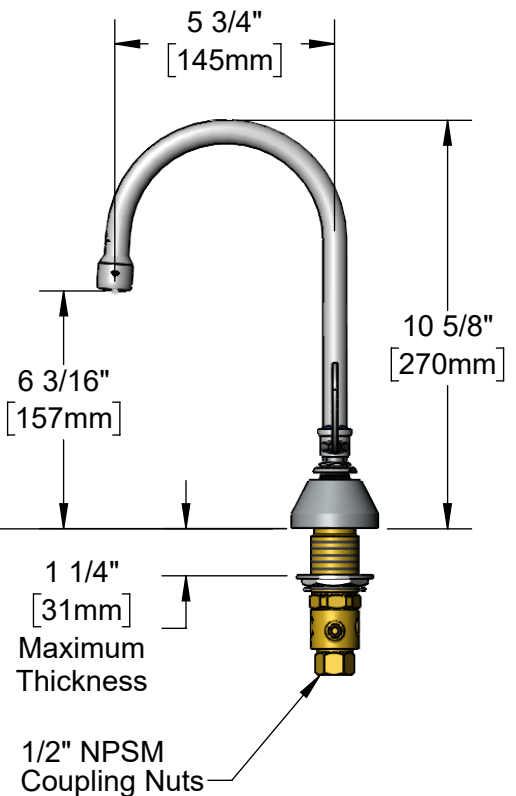
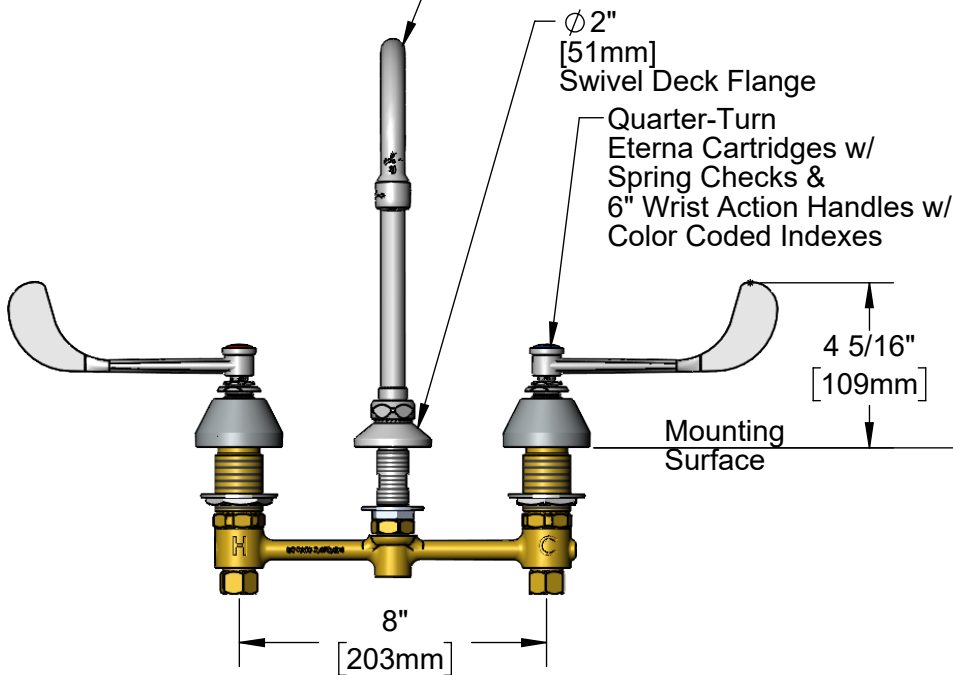
Customer/Wholesaler \_\_\_\_\_

Contractor \_\_\_\_\_

Architect/Engineer \_\_\_\_\_



Swivel Gooseneck w/  
**B-0199-01-N05**  
0.5 GPM Non-Aerated  
Spray Device.  
Rigid Conversion Requires  
**014200-45** Lock Washer  
(Included)



**Rough-In Requirement:**  
Center Shank:  $\phi$  1" [25mm] Mounting Holes  
Hot/Cold Side:  $\phi$  1 1/2" [38mm] Mounting Holes

**Product Specifications:**  
8" Concealed Widespread EasyInstall Mixing Faucet, Quarter-Turn Eterna Cartridges w/ Spring Checks, 6" Wrist Action Handles, 5 3/4" Swivel/Rigid Gooseneck w/ 0.5 GPM Non-Aerated Spray Device & 1/2" NPT Male Inlets w/ Coupling Nuts

**Product Compliance:**  
ASME A112.18.1 / CSA B125.1  
NSF 61 - Section 9  
NSF 372 (Low Lead Content)  
ANSI A117.1 (ADA)



# T&S BRASS AND BRONZE WORKS, INC.

2 Saddleback Cove / P.O. Box 1088  
Travelers Rest, SC 29690

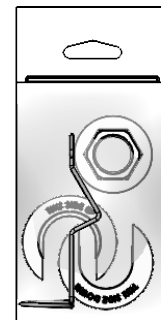
Model No.

**B-2866-F05**

Item No.

Travelers Rest, SC: 800-476-4103 • Simi Valley, CA: 800-423-0150 • Fax: 864-834-3518 • www.tsbrass.com

	ITEM NO.	SALES NO.	DESCRIPTION
	1	B-0199-01-N05	0.5 GPM Spray Device, 55/64-27 Female
	2	009538-45	Swivel Washer
	3	011429-45	Swivel Sleeves (2)
	4	001074-45	O-Ring
	5	014200-45	Star Washer, Anti-Rotation
	6	016754-40NS	EasyInstall CWS Swivel Center Shank
	7	016742-45	Center Flange Nut
	8	016745-45	Compression Nut & Fitting
	9	018506-19NS	Blue Button Index, Press-in
	10	000925-45	Lab Handle Screw
	11	B-WH6C-NS	6" Wrist Action Handle, Blue Index & Screw
	12	016752-40NS	EasyInstall CWS LTC Quarter-Turn Eterna Cartridge w/ Spring Check
	13	016749-45	Sidebody C-Washer
	14	016777-45	CWS Hanger
	15	000958-20	Coupling Nut
	16	016753-40NS	EasyInstall CWS RTC Quarter-Turn Eterna Cartridge w/ Spring Check
	17	016743-20	CWS Eterna Bonnet
	18	009002-40NS	Packing Assembly (New Style)
	19	001257-40NS	Bell Escutcheon
	20	B-WH6	6" Wrist Action Handle
	21	B-WH6H-NS	6" Wrist Action Handle, Red Index & Screw
	22	001193-19NS	Red Button Index, Press-in



**017245-40**  
Installation Repair Kit  
Includes #7, (2)#13, & #14

**Product Specifications:**  
8" Concealed Widespread EasyInstall Mixing Faucet, Quarter-Turn Eterna Cartridges w/ Spring Checks, 6" Wrist Action Handles, 5 3/4" Swivel/Rigid Gooseneck w/ 0.5 GPM Non-Aerated Spray Device & 1/2" NPT Male Inlets w/ Coupling Nuts

**Product Compliance:**  
ASME A112.18.1 / CSA B125.1  
NSF 61 - Section 9  
NSF 372 (Low Lead Content)  
ANSI A117.1 (ADA)