



# T&S BRASS AND BRONZE WORKS, INC.

2 Saddleback Cove / P.O. Box 1088  
Travelers Rest, SC 29690

Model No.

**B-2866-134XPF15**

Item No.

Travelers Rest, SC: 800-476-4103 • Simi Valley, CA: 800-423-0150 • Fax: 864-834-3518 • www.tsbrass.com



**ADA Compliant**

This Space for Architect/Engineer Approval

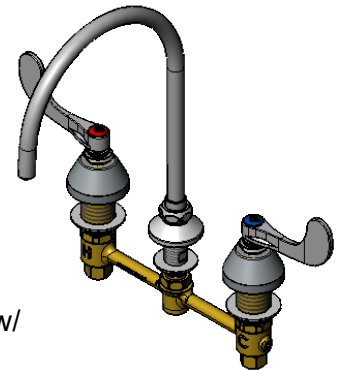
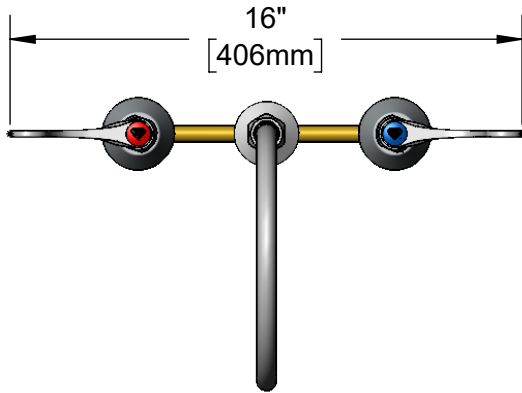
Job Name \_\_\_\_\_ Date \_\_\_\_\_

Model Specified \_\_\_\_\_ Quantity \_\_\_\_\_

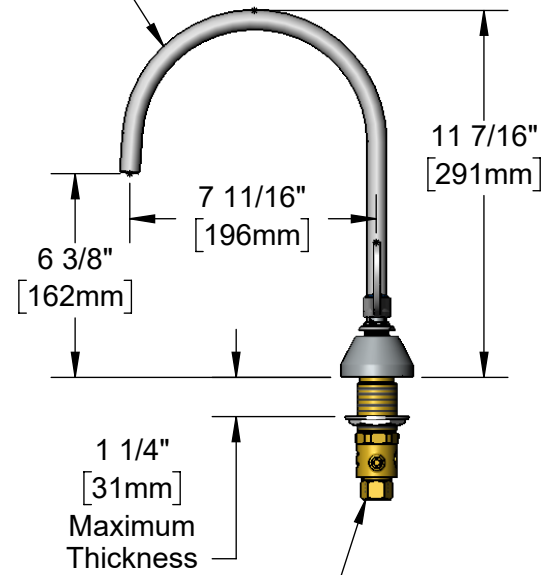
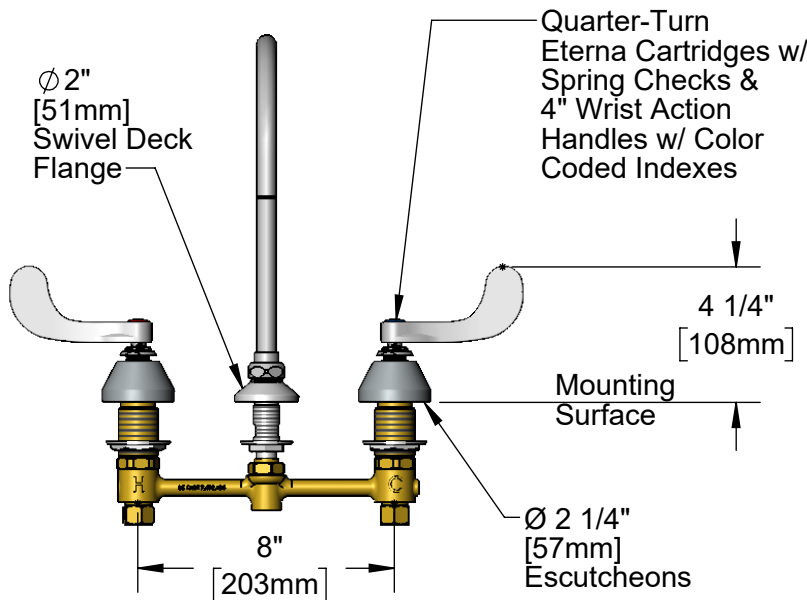
Customer/Wholesaler \_\_\_\_\_

Contractor \_\_\_\_\_

Architect/Engineer \_\_\_\_\_



7 11/16" Swivel Gooseneck w/  
Plain End Spout &  
1.5 GPM Flow Control.  
Rigid Conversion Requires  
**014200-45** Lock Washer  
(Included)



**Rough-In Requirement:**  
Center Shank:  $\phi$  1" [25mm] Mounting Hole  
Hot/Cold Bodies:  $\phi$  1 1/2" [38mm] Mounting Holes

1/2" NPT Male Inlets  
w/ Coupling Nuts

**Product Specifications:**

8" Deck Mount EasyInstall Mixing Faucet, Quarter-Turn Eterna Cartridges w/ Spring Checks, 4" Wrist Action Handles, 7 11/16" Swivel/Rigid Gooseneck, Plain End Outlet, 1.5 GPM Flow Control & 1/2" NPT Male Inlets

**Product Compliance:**

ASME A112.18.1 / CSA B125.1  
NSF 61 - Section 9  
NSF 372 (Low Lead Content)  
ANSI A117.1 (ADA)  
EPA WaterSense



# T&S BRASS AND BRONZE WORKS, INC.

2 Saddleback Cove / P.O. Box 1088  
Travelers Rest, SC 29690

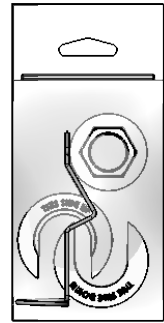
Model No.

**B-2866-134XPF15**

Item No.

Travelers Rest, SC: 800-476-4103 • Simi Valley, CA: 800-423-0150 • Fax: 864-834-3518 • www.tsbrass.com

ITEM NO.	SALES NO.	DESCRIPTION
1	134XP	Swivel Gooseneck, 7-3/4" Spread, 11-7/16
2	009538-45	Swivel Washer
3	011429-45	Swivel Sleeves (2)
4	001074-45	O-Ring
5	FD15	Flow Disc, 1.5 GPM [5.68 L/MIN]
6	014200-45	Star Washer, Anti-Rotation
7	016754-40NS	EasyInstall CWS Swivel Center (New Style)
8	016742-45	Center Flange Nut
9	016745-45	Compression Nut & Fitting
10	018506-19NS	Blue Button Index, Press-in
11	000925-45	Lab Handle Screw
12	B-WH4-NS	Wrist Action Handle - New Style
13	B-WH4C-NS	Wrist Action Handle, Blue Index & Screw
14	001257-40NS	Bell Escutcheon
15	016752-40NS	EasyInstall, CWS Quarter-Turn Eterna Cartridge w/ Spring Check, LTC
16	016749-45	Sidebody C-Washer
17	016777-45	CWS Hanger
18	000958-20	Coupling Nut
19	016753-40NS	EasyInstall, CWS Quarter-Turn Eterna Cartridge w/ Spring Check, RTC
20	016743-20	CWS Bonnet
21	009002-40NS	Packing Assembly (New Style)
22	B-WH4H-NS	Wrist Action Handle, Red Index & Screw
23	001193-19NS	Red Button Index, Press-in



**017245-40**  
Installation Repair Kit  
Includes #8, (2)#16 & #17

**Product Specifications:**  
8" Deck Mount EasyInstall Mixing Faucet, Quarter-Turn Eterna Cartridges w/ Spring Checks, 4" Wrist Action Handles, 7 11/16" Swivel/Rigid Gooseneck, Plain End Outlet, 1.5 GPM Flow Control & 1/2" NPT Male Inlets

**Product Compliance:**  
ASME A112.18.1 / CSA B125.1  
NSF 61 - Section 9  
NSF 372 (Low Lead Content)  
ANSI A117.1 (ADA)  
EPA WaterSense