



T&S BRASS AND BRONZE WORKS, INC.

2 Saddleback Cove / P.O. Box 1088
Travelers Rest, SC 29690

Model No.

B-2866-05CR-WS

Item No.

Travelers Rest, SC: 800-476-4103 • Simi Valley, CA: 800-423-0150 • Fax: 864-834-3518 • www.tsbrass.com

This Space for Architect/Engineer Approval

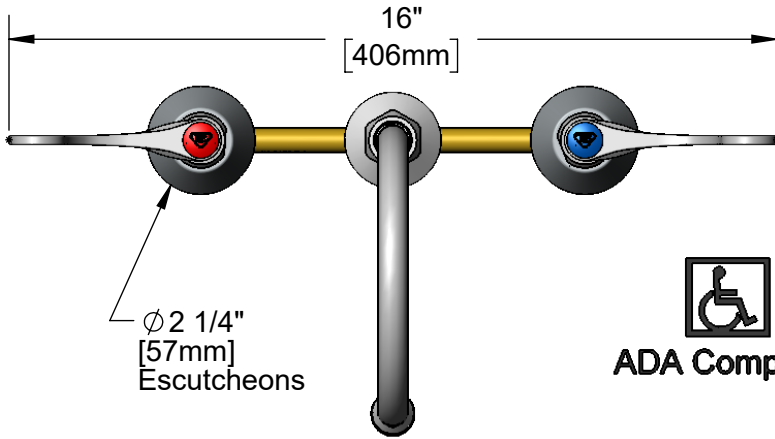
Job Name _____ Date _____

Model Specified _____ Quantity _____

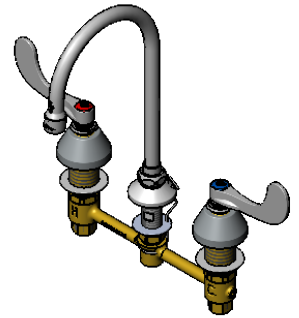
Customer/Wholesaler _____

Contractor _____

Architect/Engineer _____



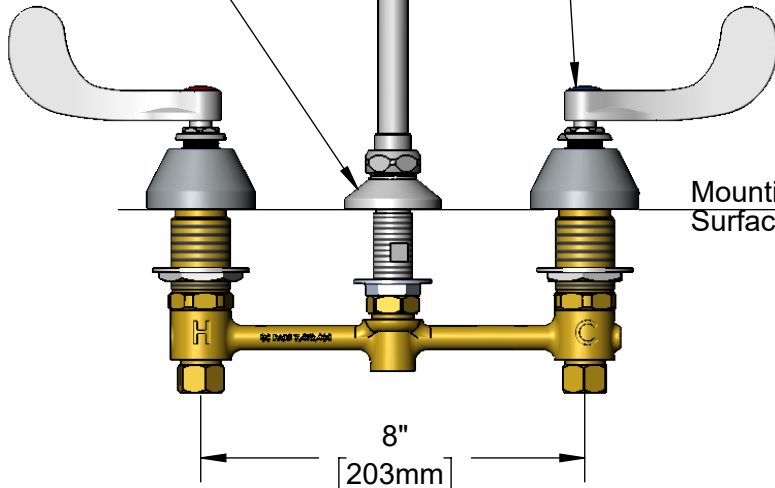
ADA Compliant



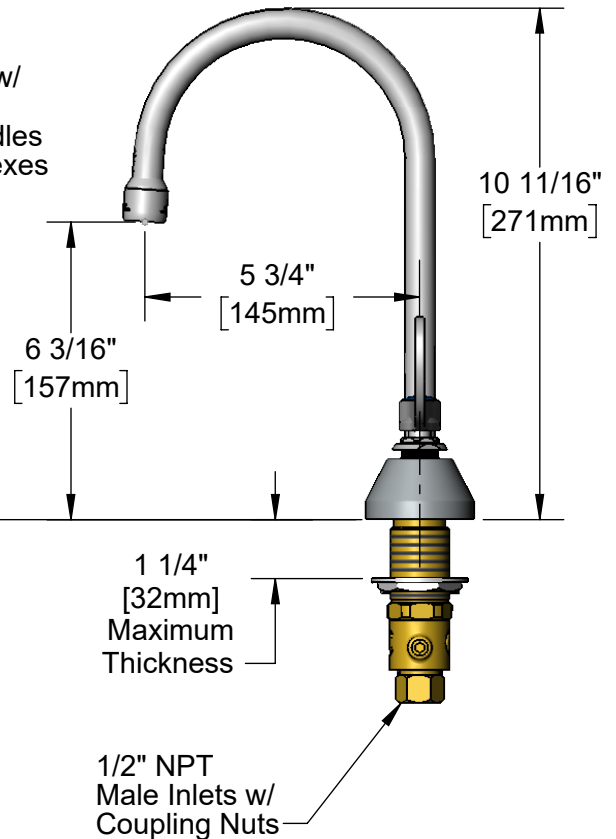
133X-A15
Swivel Gooseneck w/
1.5 GPM Aerator. Rigid
Conversion Requires
014200-45 Lock Washer
(Included)

Quarter-Turn
Cerama Cartridges w/
Check Valves &
4" Wrist Action Handles
w/ Color Coded Indexes

ϕ 2"
[51mm]
Swivel Deck
Flange



Mounting
Surface



Rough-In Requirement:
 ϕ 1" [25mm] for Center Shank
 ϕ 1 1/2" [38mm] for Hot/Cold Side

Product Specifications:
EasyInstall 8" Concealed Widespread Mixing Faucet, Quarter-Turn Cerama Cartridges w/ Check Valves, 4" Wrist Action Handles, 5 3/4" Swivel/Rigid Gooseneck w/ 1.5 GPM Aerator & 1/2" NPT Male Inlets w/ Coupling Nuts

Product Compliance:
ASME A112.18.1 / CSA B125.1
NSF 61 - Section 9
NSF 372 (Low Lead Content)
ANSI A117.1 (ADA)



T&S BRASS AND BRONZE WORKS, INC.

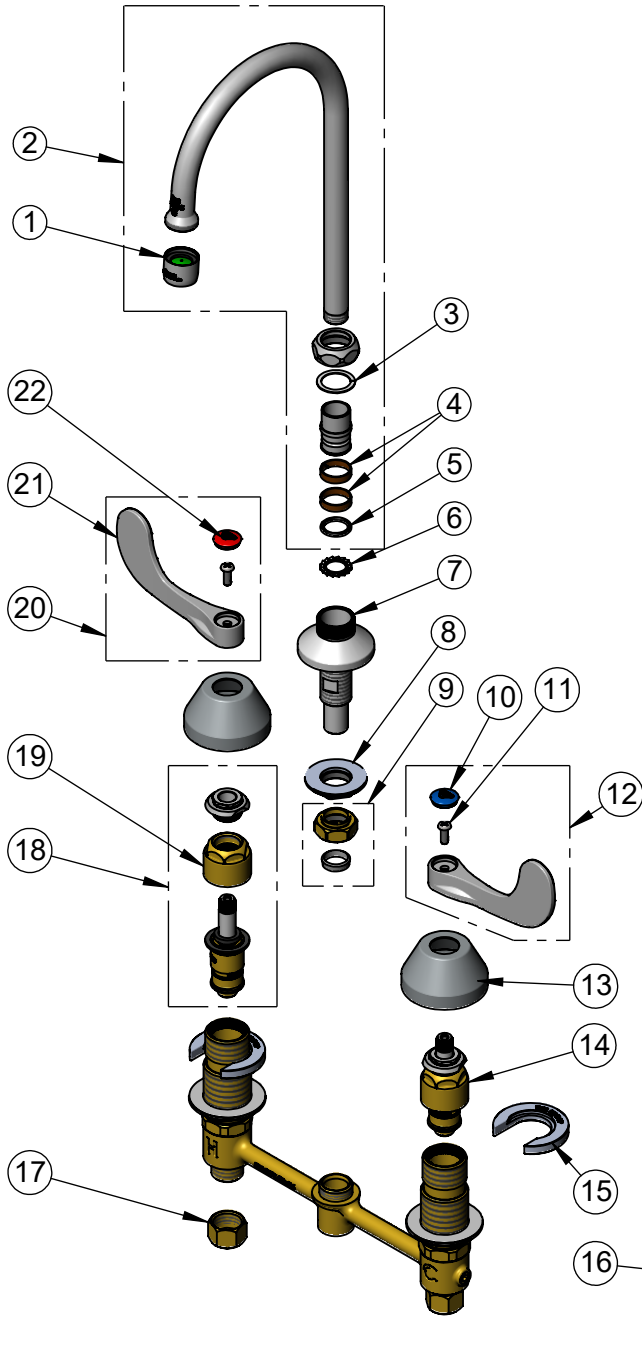
2 Saddleback Cove / P.O. Box 1088
Travelers Rest, SC 29690

Model No.

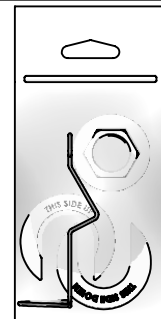
B-2866-05CR-WS

Item No.

Travelers Rest, SC: 800-476-4103 • Simi Valley, CA: 800-423-0150 • Fax: 864-834-3518 • www.tsbrass.com



ITEM NO.	SALES NO.	DESCRIPTION
1	B-0199-01-WS	1.5 GPM Aerator, 55/64-27 Female
2	133X-A15	6" Swivel Gooseneck w/ 1.5 GPM Aerator
3	009538-45	Swivel Washer
4	011429-45	Swivel Sleeves (2)
5	001074-45	O-Ring
6	014200-45	Star Washer, Anti-Rotation
7	016754-40NS	EasyInstall CWS Swivel Center Shank (New Style)
8	016742-45	Center Flange Nut
9	016745-45	Compression Nut & Fitting
10	018506-19NS	Blue Button Index, Press-in
11	000925-45	Lab Handle Screw
12	B-WH4C-NS	4" Wrist-Action Handle, Screw & Blue Index
13	001257-40NS	Bell Escutcheon
14	016768-25NS	EasyInstall CWS Quarter-Turn Cerama Cartridge w/ Check Valve, LTC
15	016749-45	Sidebody C-Washer
16	016777-45	CWS Hanger
17	000958-20	Coupling Nut
18	016767-25NS	EasyInstall CWS Quarter-Turn Cerama Cartridge w/ Check Valve, RTC
19	016743-20	CWS Eterna Bonnet
20	B-WH4H-NS	4" Wrist-Action Handle, Screw & Red Index
21	B-WH4-NS	Wrist Action Handle - New Style
22	001193-19NS	Red Button Index, Press-in



017245-40

Installation Repair Kit
Includes #8, (2) #15 & #16

Product Specifications:

EasyInstall 8" Concealed Widespread Mixing Faucet, Quarter-Turn Cerama Cartridges w/ Check Valves, 4" Wrist Action Handles, 5 3/4" Swivel/Rigid Gooseneck w/ 1.5 GPM Aerator & 1/2" NPT Male Inlets w/ Coupling Nuts

Product Compliance:

ASME A112.18.1 / CSA B125.1
NSF 61 - Section 9
NSF 372 (Low Lead Content)
ANSI A117.1 (ADA)