



# T&S BRASS AND BRONZE WORKS, INC.

2 Saddleback Cove / P.O. Box 1088  
Travelers Rest, SC 29690

Model No.

**B-2866-05CR-KIT**

Item No.

Travelers Rest, SC: 800-476-4103 • Simi Valley, CA: 800-423-0150 • Fax: 864-834-3518 • www.tsbrass.com



**ADA Compliant**

This Space for Architect/Engineer Approval

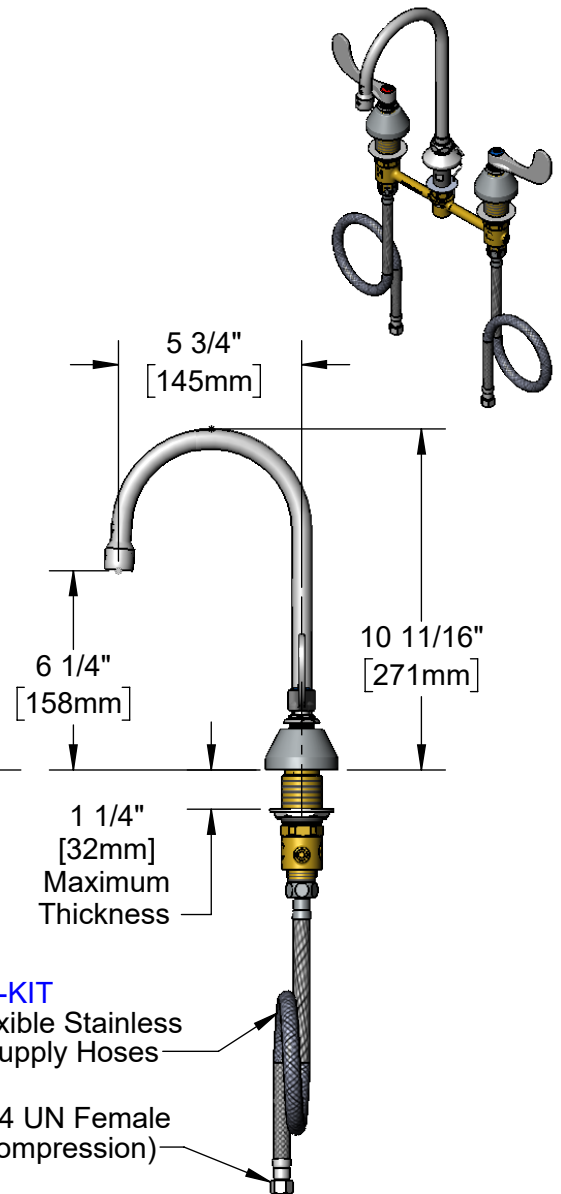
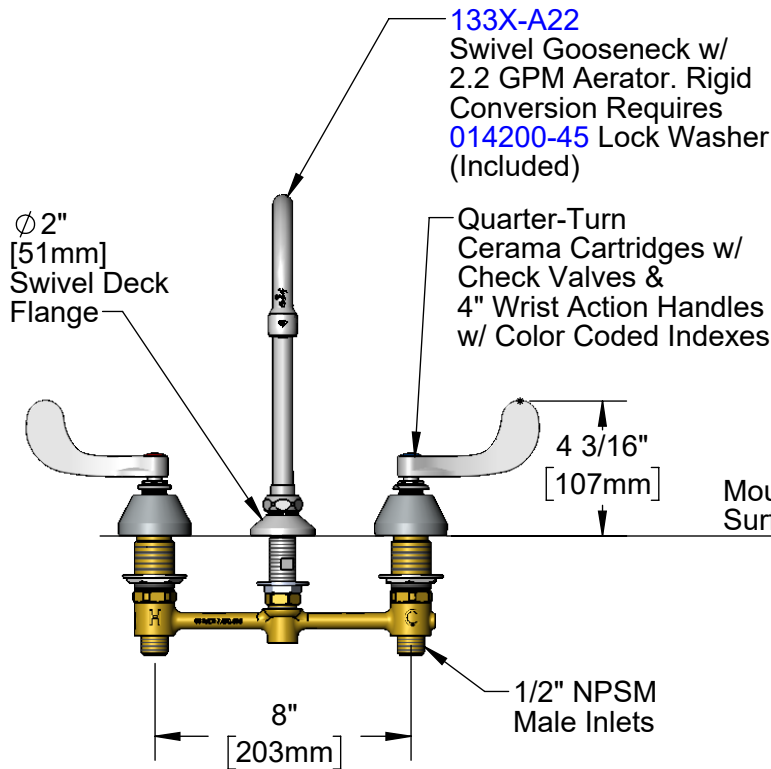
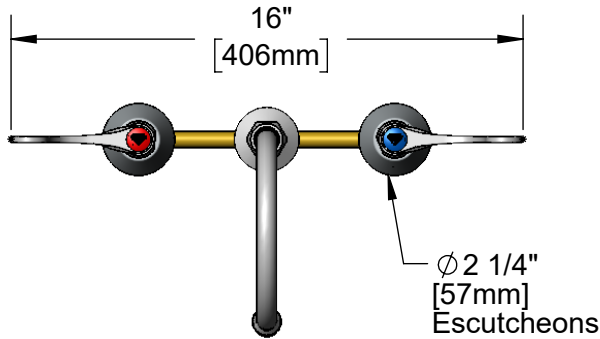
Job Name \_\_\_\_\_ Date \_\_\_\_\_

Model Specified \_\_\_\_\_ Quantity \_\_\_\_\_

Customer/Wholesaler \_\_\_\_\_

Contractor \_\_\_\_\_

Architect/Engineer \_\_\_\_\_



**Rough-In Requirement:**  
Ø 1" [25mm] for Center Shank  
Ø 1 1/2" [38mm] for Hot/Cold Side

**Product Specifications:**  
EasyInstall 8" Concealed Widespread Mixing Faucet, Quarter-Turn Cerama Cartridges w/ Check Valves, 4" Wrist Action Handles, 5 3/4" Swivel/Rigid Gooseneck w/ 2.2 GPM Aerator & 1/2" NPT Male Inlets, 24" Flexible Stainless Steel Supply Hoses w/ Swivel Fittings & Integral Washers

**Product Compliance:**  
ASME A112.18.1 / CSA B125.1  
NSF 61 - Section 9  
NSF 372 (Low Lead Content)  
ANSI A117.1 (ADA)



# T&S BRASS AND BRONZE WORKS, INC.

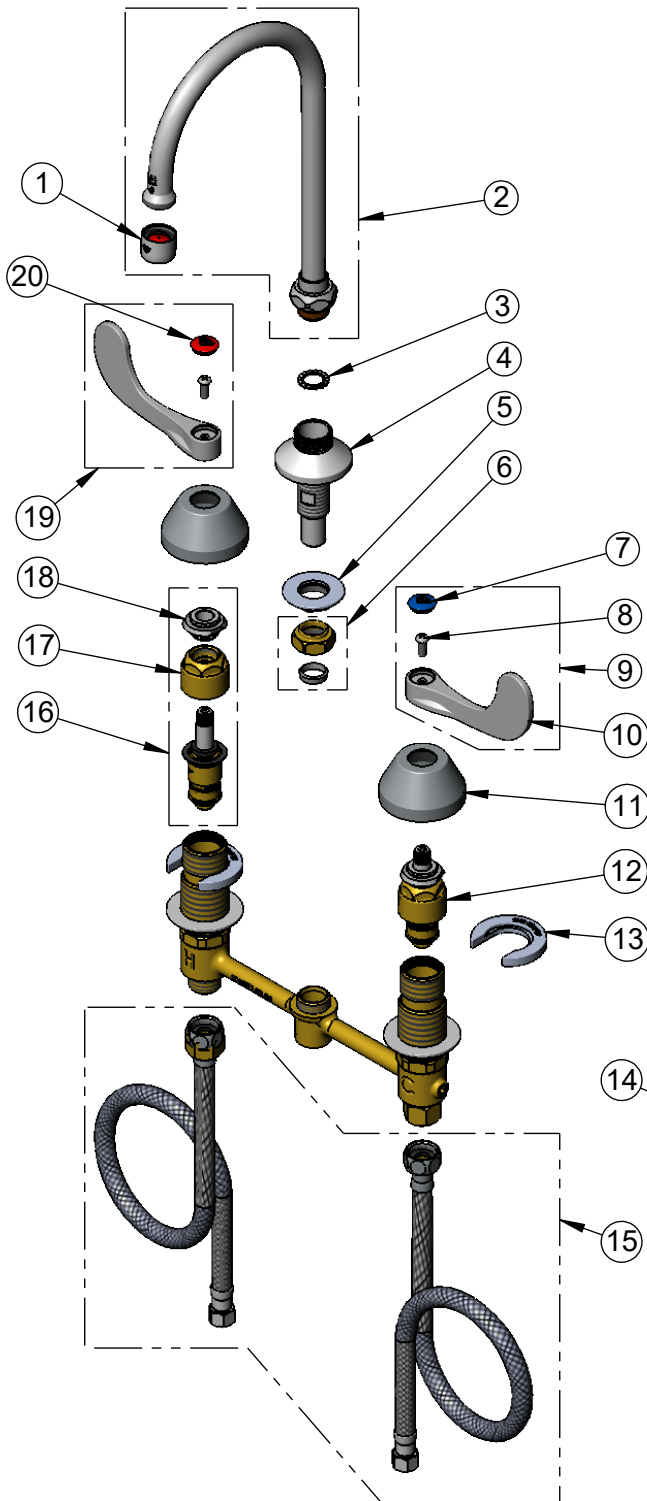
2 Saddleback Cove / P.O. Box 1088  
Travelers Rest, SC 29690

Model No.

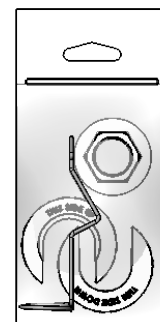
**B-2866-05CR-KIT**

Item No.

Travelers Rest, SC: 800-476-4103 • Simi Valley, CA: 800-423-0150 • Fax: 864-834-3518 • www.tsbrass.com



ITEM NO.	SALES NO.	DESCRIPTION
1	B-0199-01	2.2 GPM Aerator, 55/64-27 UN Female
2	133X-A22	5 3/4" Swivel Gooseneck w/ 2.2 GPM Aerator
3	014200-45	Star Washer, Anti-Rotation
4	016754-40NS	EasyInstall CWS Swivel Center (New Style)
5	016742-45	Center Flange Nut
6	016745-45	Compression Nut & Fitting
7	018506-19NS	Blue Button Index, Press-in
8	000925-45	Lab Handle Screw
9	B-WH4C-NS	Wrist Action Handle, Blue Index & Screw
10	B-WH4-NS	Wrist Action Handle - New Style
11	001257-40NS	Bell Escutcheon
12	016768-25NS	EasyInstall, CWS Quarter-Turn Cerama Cartridge w/ Check Valve, LTC
13	016749-45	Sidebody C-Washer
14	016777-45	CWS Hanger
15	B-1100-KIT	24" Flexible Stainless Steel Supply Hoses w/ Swivel Fittings & Integral Washers
16	016767-25NS	EasyInstall, CWS Quarter-Turn Cerama Cartridge w/ Check Valve, RTC
17	016743-20	Eterna Bonnet - EXTENDED
18	009002-40NS	Packing Assembly (New Style)
19	B-WH4H-NS	Wrist Action Handle, Red Index & Screw
20	001193-19NS	Red Button Index, Press-in



**017245-40**  
Installation Repair Kit  
Includes #5, (2)#13, & #14

**Product Specifications:**

EasyInstall 8" Concealed Widespread Mixing Faucet, Quarter-Turn Cerama Cartridges w/ Check Valves, 4" Wrist Action Handles, 5 3/4" Swivel/Rigid Gooseneck w/ 2.2 GPM Aerator & 1/2" NPT Male Inlets, 24" Flexible Stainless Steel Supply Hoses w/ Swivel Fittings & Integral Washers

**Product Compliance:**

ASME A112.18.1 / CSA B125.1  
NSF 61 - Section 9  
NSF 372 (Low Lead Content)  
ANSI A117.1 (ADA)