



T&S BRASS AND BRONZE WORKS, INC.

2 Saddleback Cove / P.O. Box 1088
Travelers Rest, SC 29690

Model No.

B-2866-05-WA

Item No.

Travelers Rest, SC: 800-476-4103 • Simi Valley, CA: 800-423-0150 • Fax: 864-834-3518 • www.tsbrass.com

This Space for Architect/Engineer Approval

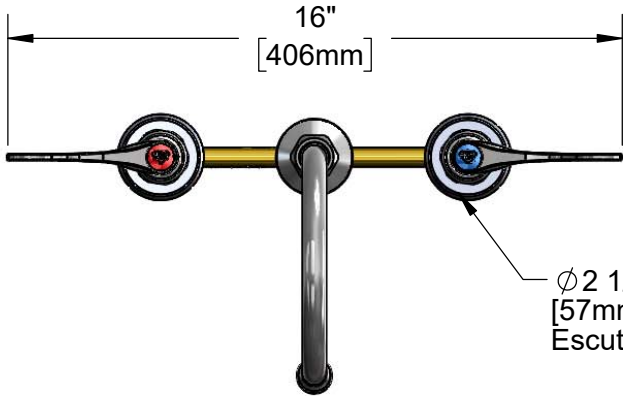
Job Name _____ Date _____

Model Specified _____ Quantity _____

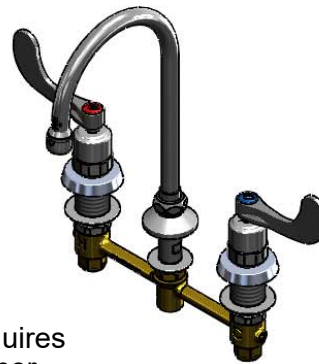
Customer/Wholesaler _____

Contractor _____

Architect/Engineer _____

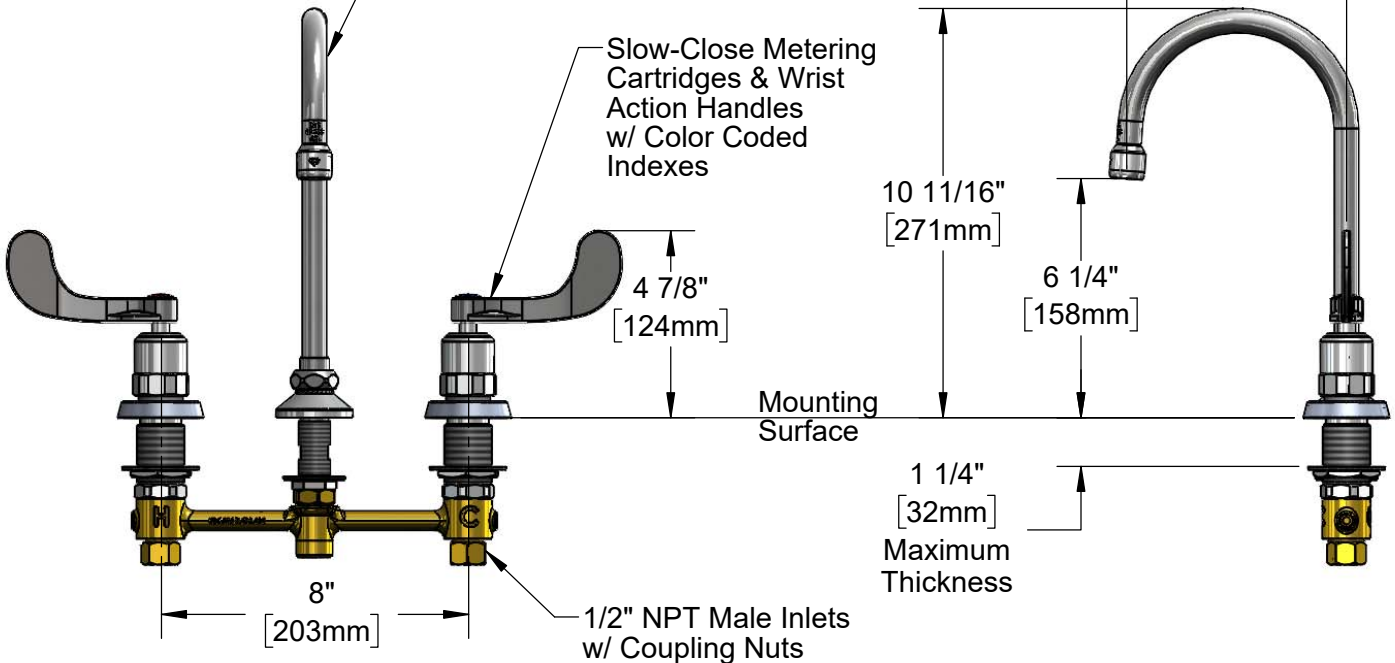


Ø2 1/4" [57mm]
Escutcheons



ADA Compliant

133X-A22
Swivel Gooseneck w/
2.2 GPM Aerator
Rigid Conversion Requires
014200-45 Lock Washer
(Included)



Rough-In Requirement:
Center Shank: 1" [25mm] Mounting Hole
Hot/Cold Sides: 1 1/2" [38mm] Mounting Holes

Product Specifications:

8" Concealed Widespread EasyInstall Mixing Faucet w/ 4" Wrist Action Handles, Slow-Close Metering Cartridge, 5 3/4" Rigid/Swivel Gooseneck w/ 2.2 GPM Aerator and 1/2" NPT Male Inlets

Product Compliance:

ASME A112.18.1 / CSA B125.1
NSF 61 - Section 9
NSF 372 (Low Lead Content)
ANSI A117.1 (ADA)



T&S BRASS AND BRONZE WORKS, INC.

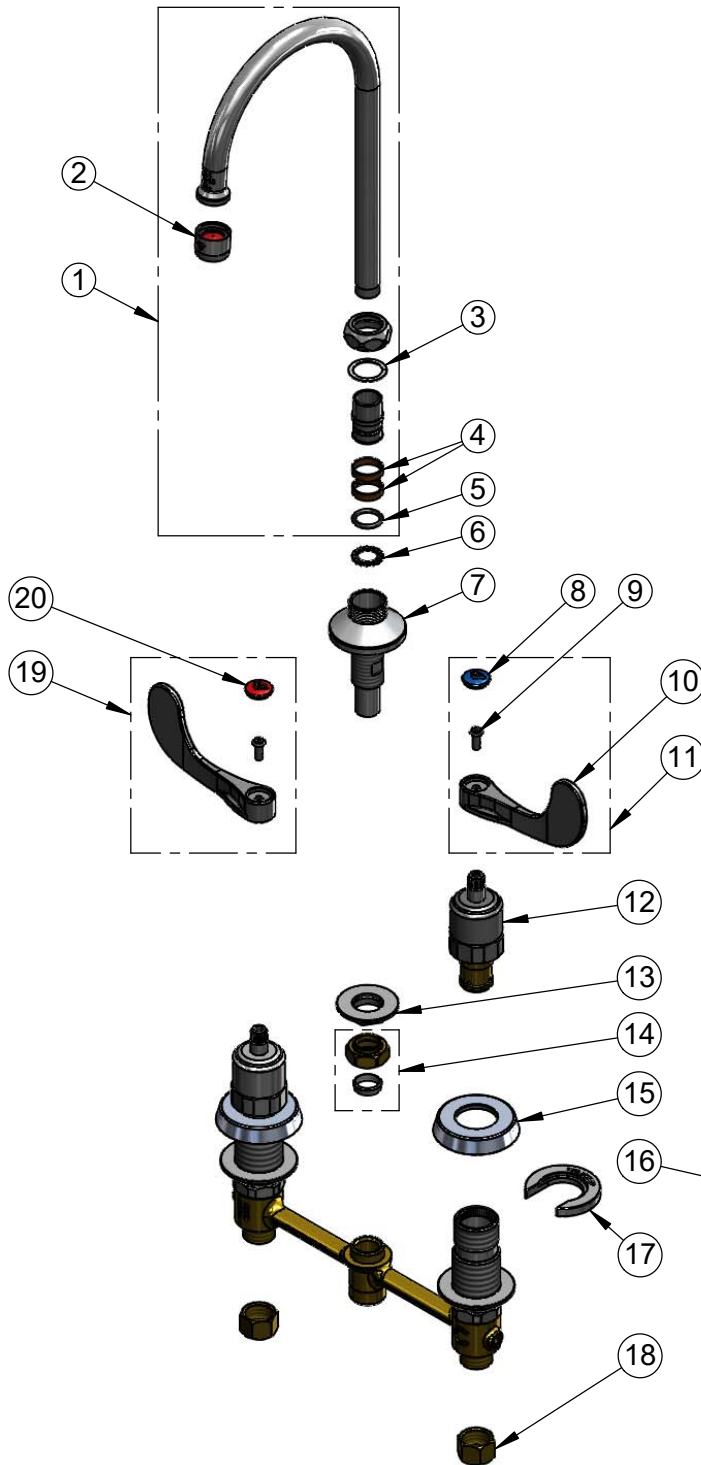
2 Saddleback Cove / P.O. Box 1088
Travelers Rest, SC 29690

Model No.

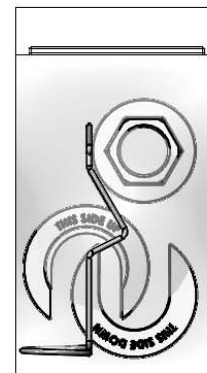
B-2866-05-WA

Item No.

Travelers Rest, SC: 800-476-4103 • Simi Valley, CA: 800-423-0150 • Fax: 864-834-3518 • www.tsbrass.com



ITEM NO.	SALES NO.	DESCRIPTION
1	133X-A22	5 3/4" Swivel Gooseneck w/ 2.2 GPM Aerator
2	B-0199-01	2.2 GPM Aerator, 55/64-27 UN Female
3	009538-45	Swivel Washer
4	011429-45	Swivel Sleeves (2)
5	001074-45	O-Ring
6	014200-45	Star Washer, Anti-Rotation
7	016754-40NS	EasyInstall CWS Swivel Center Shank
8	018506-19NS	Blue Button Index, Press-in
9	000925-45	Lab Handle Screw
10	B-WH4-NS	Wrist Action Handle - New Style
11	B-WH4C-NS	Wrist Action Handle, Screw & Blue Index
12	012449-40	Wrist Action Metering Cartridge Assembly
13	016742-45	Center Flange Nut
14	016745-45	Compression Nut & Fitting
15	017292-45	Metering CWS Escutcheon
16	016777-45	CWS Hanger
17	016749-45	Sidebody C-Washer
18	000958-20	Coupling Nut
19	B-WH4H-NS	Wrist Action Handle, Screw & Red Index
20	001193-19NS	Red Button Index, Press-in



017245-40
Installation Repair Kit
Includes #13, (2) #17, #16

Product Specifications:

8" Concealed Widespread EasyInstall Mixing Faucet w/ 4" Wrist Action Handles, Slow-Close Metering Cartridge, 5 3/4" Rigid/Swivel Gooseneck w/ 2.2 GPM Aerator and 1/2" NPT Male Inlets

Product Compliance:

ASME A112.18.1 / CSA B125.1
NSF 61 - Section 9
NSF 372 (Low Lead Content)
ANSI A117.1 (ADA)