



T&S BRASS AND BRONZE WORKS, INC.
 2 Saddleback Cove / P.O. Box 1088
 Travelers Rest, SC 29690

Model No.

B-2866-04LN

Item No.

Travelers Rest, SC: 800-476-4103 • Simi Valley, CA: 800-423-0150 • Fax: 864-834-3518 • www.tsbrass.com



ADA Compliant

This Space for Architect/Engineer Approval

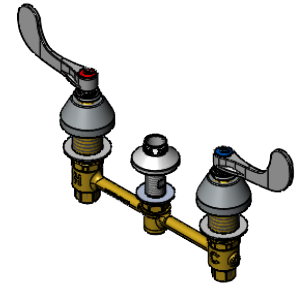
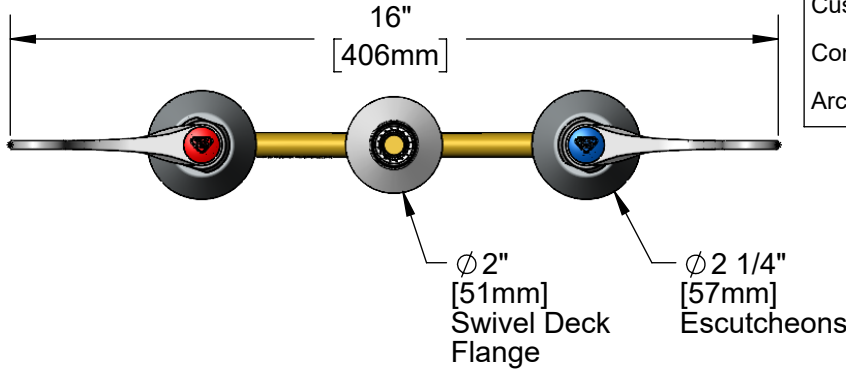
Job Name _____ Date _____

Model Specified _____ Quantity _____

Customer/Wholesaler _____

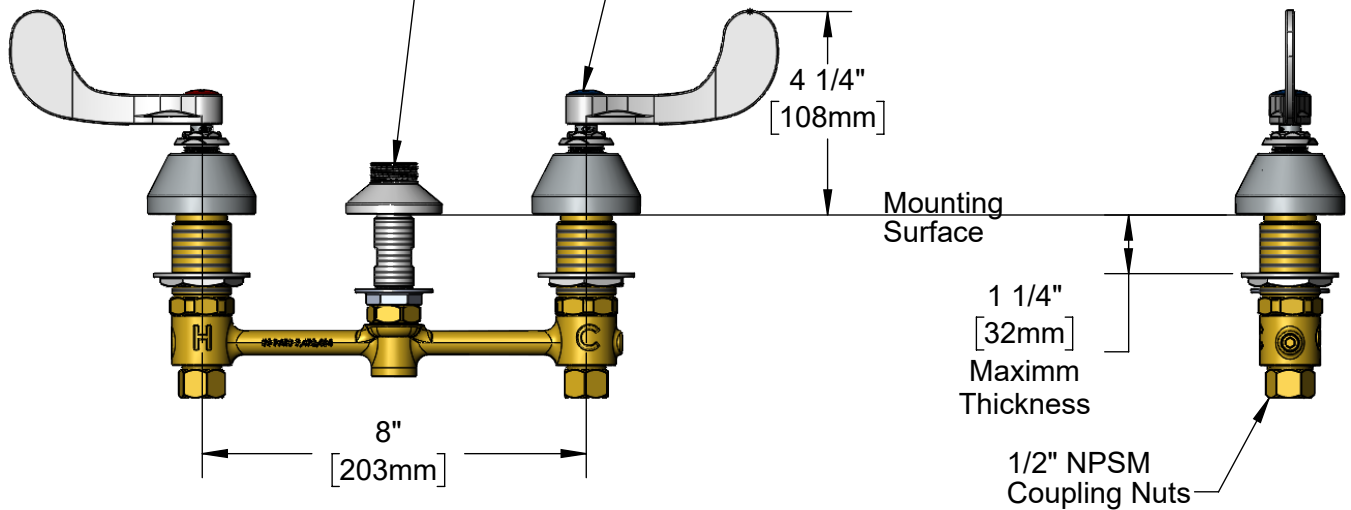
Contractor _____

Architect/Engineer _____



Swivel Outlet Accepts
 Standard T&S Swing Nozzles
 (Optional Swivel/Rigid
 Washer Included)

Quarter-Turn
 Eterna Cartridges w/
 Spring Checks &
 4" Wrist Action Handles
 w/ Color Coded Indexes



Rough-In Requirement:
 Ø 1" [25mm] for Center Shank
 Ø 1 1/2" [38mm] for Hot/Cold Side

Product Specifications:
 8" Concealed Widespread Mixing Faucet, Quarter-Turn Eterna Cartridges
 w/ Spring Checks, 4" Wrist Action Handles and 1/2" NPT Male Inlets, Less
 Nozzle

Product Compliance:
 ASME A112.18.1 / CSA B125.1
 NSF 61 - Section 9
 NSF 372 (Low Lead Content)
 ANSI A117.1 (ADA)



T&S BRASS AND BRONZE WORKS, INC.

2 Saddleback Cove / P.O. Box 1088
Travelers Rest, SC 29690

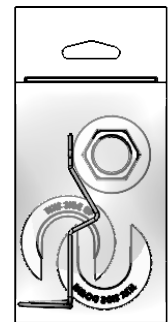
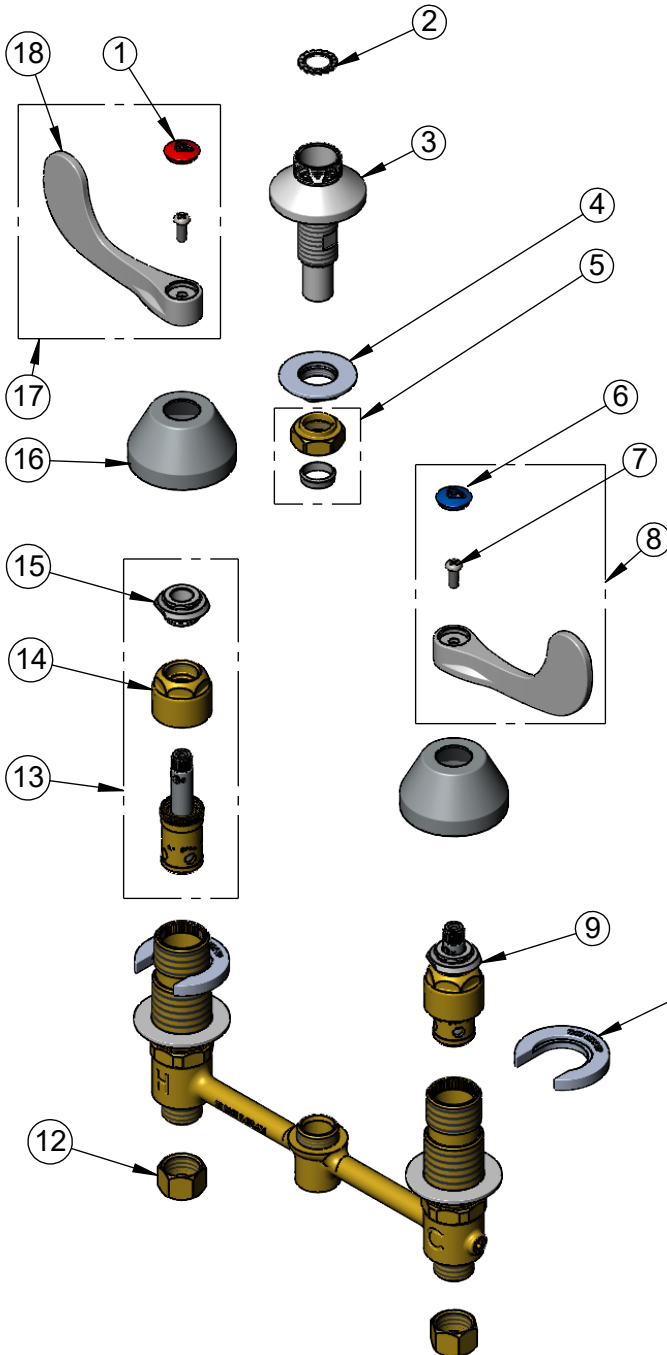
Model No.

B-2866-04LN

Item No.

Travelers Rest, SC: 800-476-4103 • Simi Valley, CA: 800-423-0150 • Fax: 864-834-3518 • www.tsbrass.com

ITEM NO.	SALES NO.	DESCRIPTION
1	001193-19NS	Red Button Index, Press-in
2	014200-45	Star Washer, Anti-Rotation
3	016754-40NS	EasyInstall CWS Swivel Center (New Style)
4	016742-45	Center Flange Nut
5	016745-45	Compression Nut & Fitting
6	018506-19NS	Blue Button Index, Press-in
7	000925-45	Lab Handle Screw
8	B-WH4C-NS	Wrist Action Handle, Blue Index & Screw
9	016752-40NS	EasyInstall, CWS Quarter-Turn Eterna Cartridge w/ Spring Check, LTC
10	016749-45	Sidebody C-Washer
11	016777-45	CWS Hanger
12	000958-20	Coupling Nut
13	016753-40NS	EasyInstall, CWS Quarter-Turn Eterna Cartridge w/ Spring Check, RTC
14	016743-20	CWS Eterna Bonnet
15	009002-40NS	Packing Assembly (New Style)
16	001257-40NS	Bell Escutcheon
17	B-WH4H-NS	Wrist Action Handle, Red Index & Screw
18	B-WH4-NS	Wrist Action Handle - New Style



017245-40
Installation Repair Kit
Includes #4, (2)#10, & #11

Product Specifications:

8" Concealed Widespread Mixing Faucet, Quarter-Turn Eterna Cartridges w/ Spring Checks, 4" Wrist Action Handles and 1/2" NPT Male Inlets, Less Nozzle

Product Compliance:

ASME A112.18.1 / CSA B125.1
NSF 61 - Section 9
NSF 372 (Low Lead Content)
ANSI A117.1 (ADA)