



T&S BRASS AND BRONZE WORKS, INC.

2 Saddleback Cove / P.O. Box 1088
Travelers Rest, SC 29690

Model No.

B-2865-06CR

Item No.

Travelers Rest, SC: 800-476-4103 • Simi Valley, CA: 800-423-0150 • Fax: 864-834-3518 • www.tsbrass.com

This Space for Architect/Engineer Approval

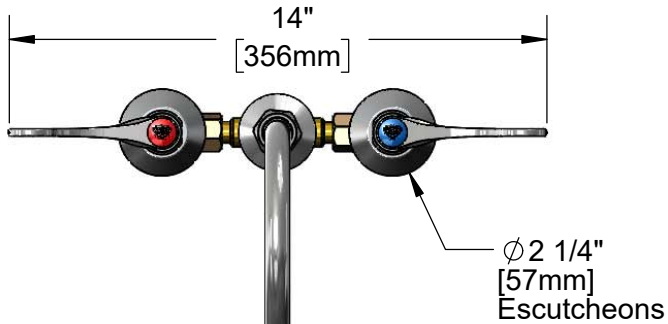
Job Name _____ Date _____

Model Specified _____ Quantity _____

Customer/Wholesaler _____

Contractor _____

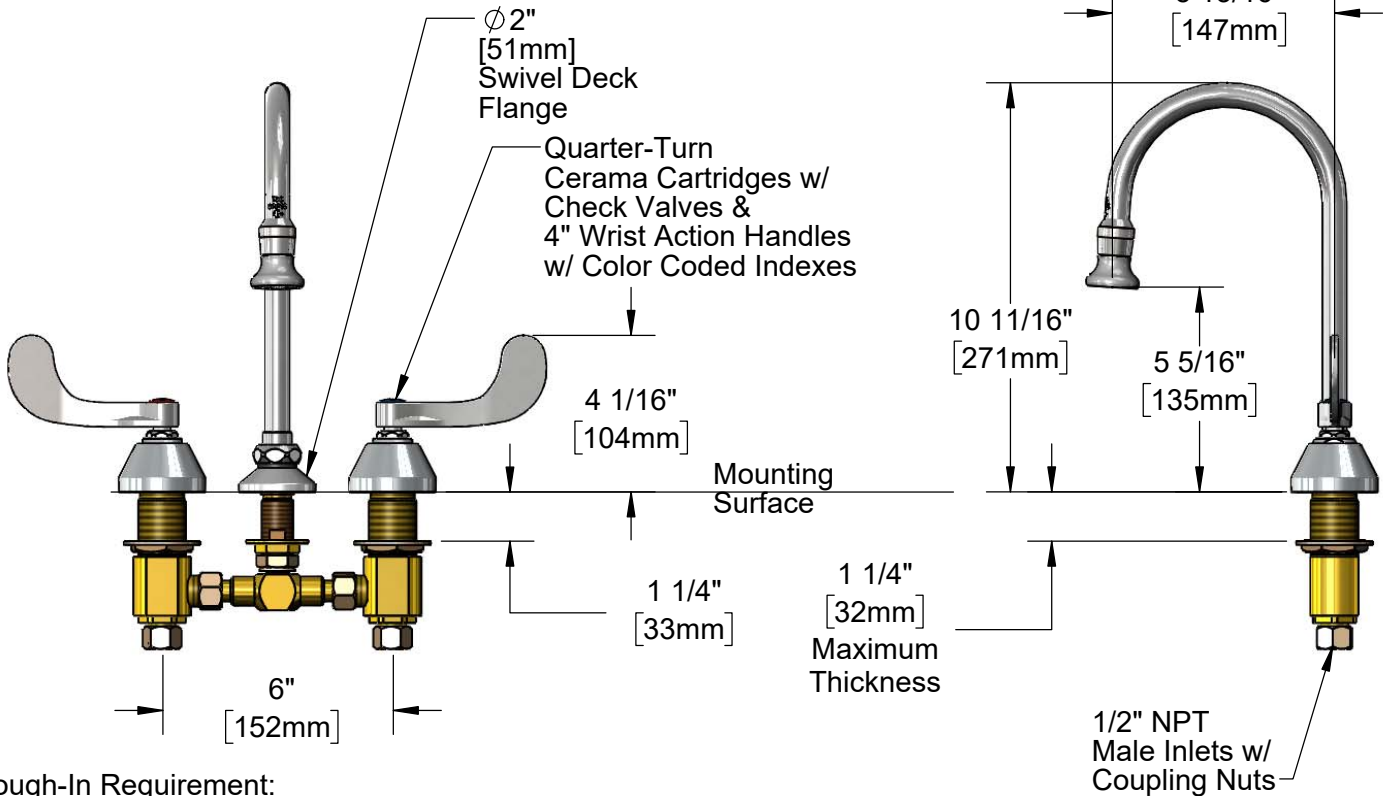
Architect/Engineer _____



Swivel Gooseneck w/
B-0103-01
2.2 GPM Rosespray Outlet.
Rigid Conversion Requires
014200-45 Lock Washer
(Included)



ADA Compliant



Rough-In Requirement:
Center Shank: $\phi 1$ " [25mm] Mounting Hole
Hot/Cold Bodies: $\phi 1 \frac{1}{2}$ " [38mm] Mounting Holes

Product Specifications:
6" Concealed Widespread Mixing Faucet, Quarter-Turn Cerama Cartridges w/ Check Valves, 4" Wrist Action Handles, 5 13/16" Rigid/Swivel Goosneck w/ 2.2 GPM Rosespray Outlet & 1/2" NPT Male Inlets w/ Coupling Nuts

Product Compliance:
ASME A112.18.1 / CSA B125.1
NSF 61 - Section 9
NSF 372 (Low Lead Content)
ANSI A117.1 (ADA)



T&S BRASS AND BRONZE WORKS, INC.

2 Saddleback Cove / P.O. Box 1088
Travelers Rest, SC 29690

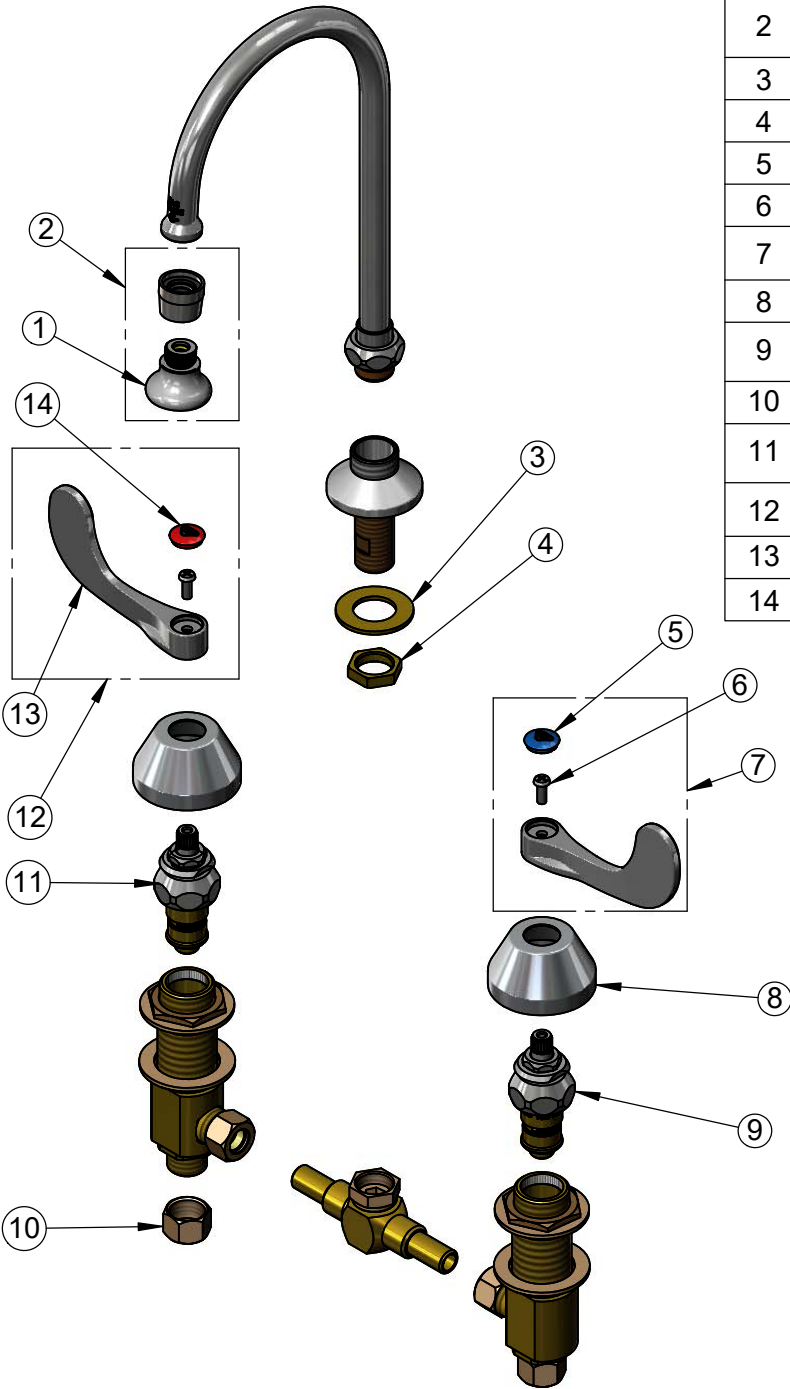
Model No.

B-2865-06CR

Item No.

Travelers Rest, SC: 800-476-4103 • Simi Valley, CA: 800-423-0150 • Fax: 864-834-3518 • www.tsbrass.com

ITEM NO.	SALES NO.	DESCRIPTION
1	B-0103	2.2 GPM Rosespray, 3/8-18 NPT Male
2	B-0103-01	2.2 GPM Rosespray, 55/64-27 UN Female Adapter
3	000999-45	Brass Lock Washer
4	002954-45	Shank Lock Nut
5	018506-19NS	Blue Button Index, Press-in
6	000925-45	Lab Handle Screw
7	B-WH4C-NS	Wrist Action Handle, Blue Index & Screw
8	001257-40NS	Bell Escutcheon
9	011617-25NS	CWS Quarter-Turn Cerama Cartridge w/ Check Valve, LTC
10	000958-20	Coupling Nut
11	011616-25NS	CWS Quarter-Turn Cerama Cartridge w/ Check Valve, RTC
12	B-WH4H-NS	Wrist Action Handle, Red Index & Screw
13	B-WH4-NS	Wrist Action Handle (New Style)
14	001193-19NS	Red Button Index, Press-in



Product Specifications:

6" Concealed Widespread Mixing Faucet, Quarter-Turn Cerama Cartridges w/ Check Valves, 4" Wrist Action Handles, 5 13/16" Rigid/Swivel Goosneck w/ 2.2 GPM Rosespray Outlet & 1/2" NPT Male Inlets w/ Coupling Nuts

Product Compliance:

ASME A112.18.1 / CSA B125.1
NSF 61 - Section 9
NSF 372 (Low Lead Content)
ANSI A117.1 (ADA)