



T&S BRASS AND BRONZE WORKS, INC.
 2 Saddleback Cove / P.O. Box 1088
 Travelers Rest, SC 29690

Model No.

B-2865-05CR

Item No.

Travelers Rest, SC: 800-476-4103 • Simi Valley, CA: 800-423-0150 • Fax: 864-834-3518 • www.tsbrass.com



ADA Compliant

This Space for Architect/Engineer Approval

Job Name _____ Date _____

Model Specified _____ Quantity _____

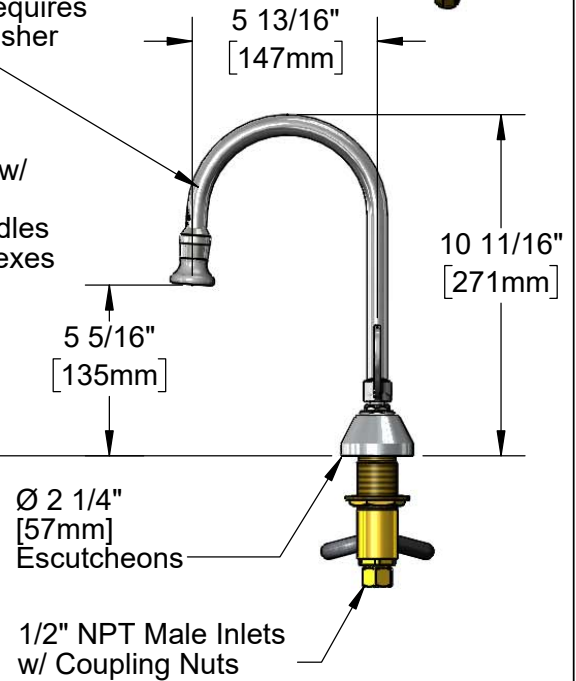
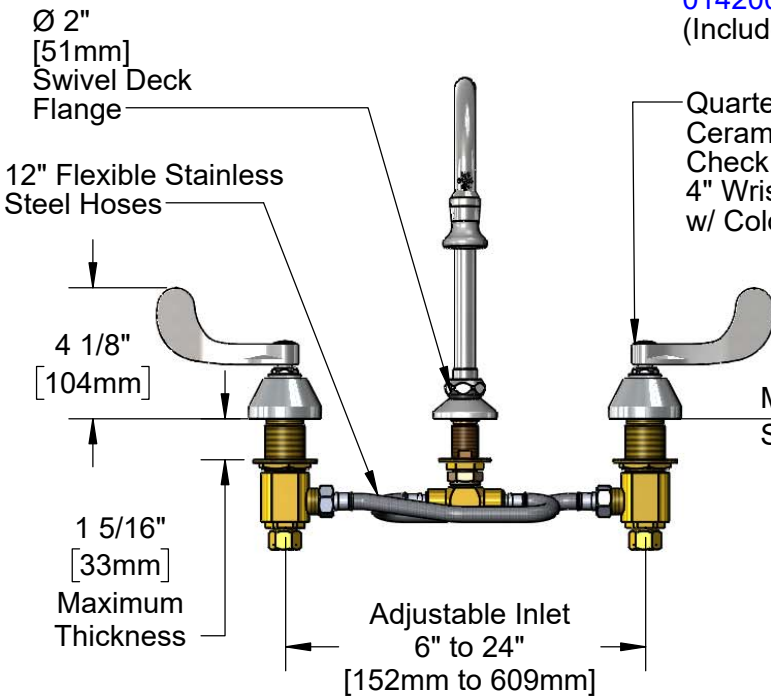
Customer/Wholesaler _____

Contractor _____

Architect/Engineer _____



Swivel Gooseneck w/
B-0103-01
 2.2 GPM Rosespray Outlet.
 Rigid Conversion Requires
014200-45 Lock Washer
 (Included)



Rough-In Requirement:
 Center Shank: ϕ 1" [25mm] Mounting Hole
 Hot/Cold Bodies: ϕ 1 1/2" [38mm] Mounting Holes

Product Specifications:
 Adjustable Concealed Widespread Mixing Faucet, Quarter-Turn Cerama Cartridges w/ Check Valves, 4" Wrist Action Handles, Rigid/Swivel Gooseneck, 2.2 GPM Rosespray Outlet & 1/2" NPT Male Inlets

Product Compliance:
 ASME A112.18.1 / CSA B125.1
 NSF 61 - Section 9
 NSF 372 (Low Lead Content)
 ANSI A117.1 (ADA)



T&S BRASS AND BRONZE WORKS, INC.
 2 Saddleback Cove / P.O. Box 1088
 Travelers Rest, SC 29690

Model No.
B-2865-05CR

Item No.

Travelers Rest, SC: 800-476-4103 • Simi Valley, CA: 800-423-0150 • Fax: 864-834-3518 • www.tsbrass.com

ITEM NO.	SALES NO.	DESCRIPTION
1	B-0103	2.2 GPM Rosespray, 3/8-18 NPT Male
2	B-0103-01	2.2 GPM Rosespray, 55/64-27 UN Female Adapter
3	009538-45	Swivel Washer
4	011429-45	Swivel Sleeves (2)
5	001074-45	O-Ring
6	014200-45	Star Washer, Anti-Rotation
7	018506-19NS	Blue Button Index, Press-in
8	000925-45	Lab Handle Screw
9	B-WH4-NS	Wrist Action Handle - New Style
10	B-WH4C-NS	Wrist Action Handle, Blue Index & Screw
11	011617-25NS	CWS Quarter-Turn Cerama Cartridge w/ Check Valve, LTC
12	011649-45	12" Flexible Stainless Steel Hose (2)
13	000958-20	Coupling Nut
14	011616-25NS	CWS Quarter-Turn Cerama Cartridge w/ Check Valve, RTC
15	001257-40NS	Bell Escutcheon
16	B-WH4H-NS	Wrist Action Handle, Red Index & Screw
17	001193-19NS	Red Button Index, Press-in

Product Specifications:
 Adjustable Concealed Widespread Mixing Faucet, Quarter-Turn Cerama Cartridges w/ Check Valves, 4" Wrist Action Handles, Rigid/Swivel Gooseneck, 2.2 GPM Rosespray Outlet & 1/2" NPT Male Inlets

Product Compliance:
 ASME A112.18.1 / CSA B125.1
 NSF 61 - Section 9
 NSF 372 (Low Lead Content)
 ANSI A117.1 (ADA)