



T&S BRASS AND BRONZE WORKS, INC.
 2 Saddleback Cove / P.O. Box 1088
 Travelers Rest, SC 29690

Model No.
B-2865-05-0CS8

Item No.

Travelers Rest, SC: 800-476-4103 • Simi Valley, CA: 800-423-0150 • Fax: 864-834-3518 • www.tsbrass.com



ADA Compliant

This Space for Architect/Engineer Approval

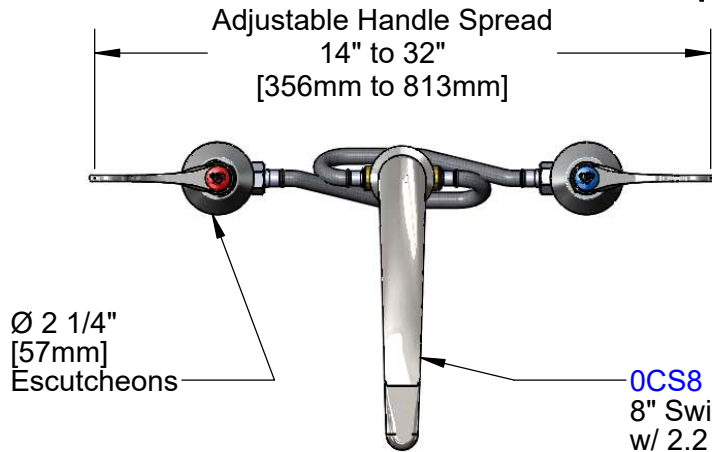
Job Name _____ Date _____

Model Specified _____ Quantity _____

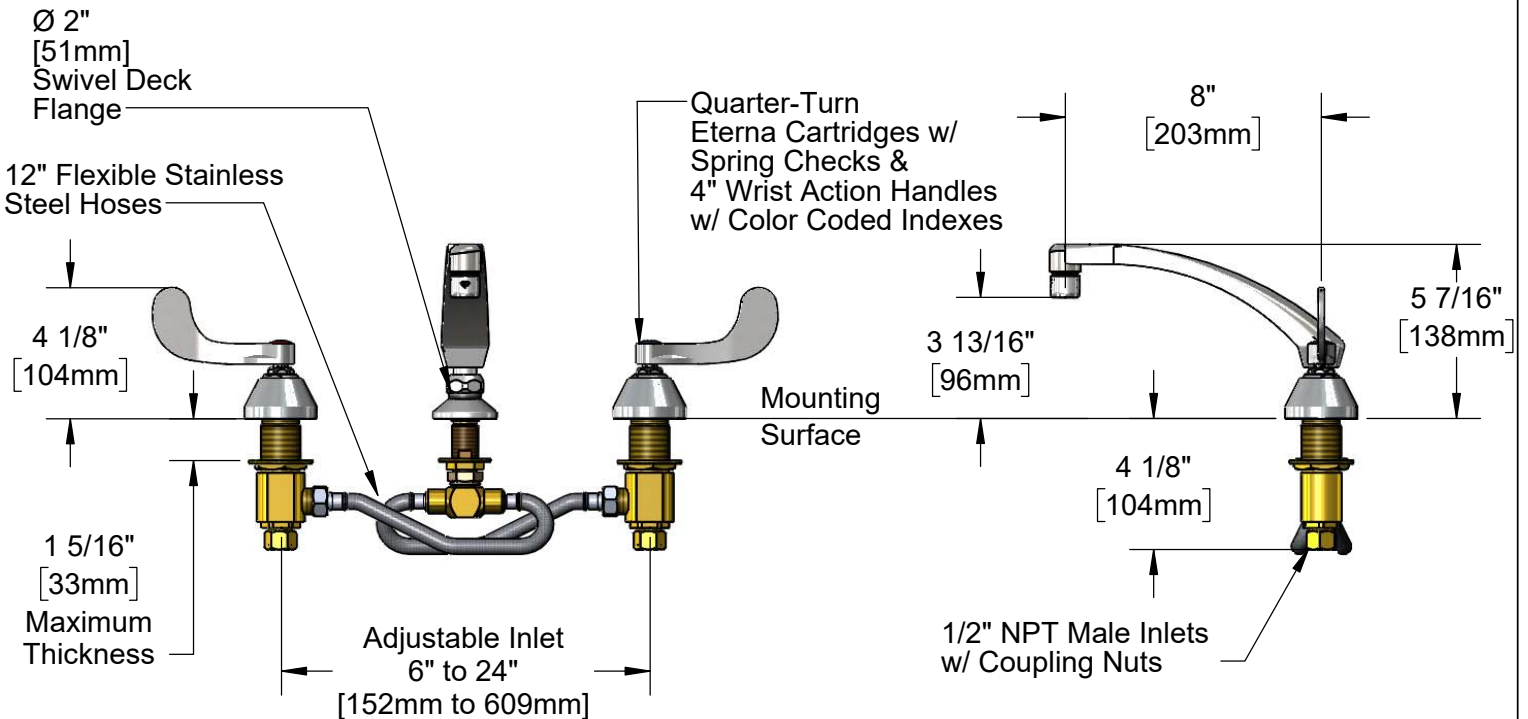
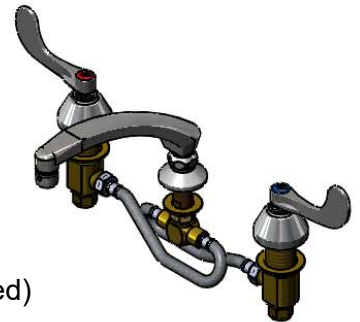
Customer/Wholesaler _____

Contractor _____

Architect/Engineer _____



OCS8
 8" Swivel Cast Spout
 w/ 2.2 GPM Aerator.
 Rigid Conversion Requires
 014200-45 Lock washer (Included)



Rough-In Requirement:
 Center Shank: Ø 1" [25mm] Mounting Hole
 Hot/Cold Bodies: Ø 1 1/2" [38mm] Mounting Holes

Product Specifications:
 Adjustable Conealed Widespread Mixing Faucet, Quarter-Turn Eterna
 Cartridges w/ Spring Checks, 4" Wrist Action Handles, Rigid/Swivel
 Gooseneck, 2.2 GPM Rosespray Outlet & 1/2" NPT Male Inlets

Product Compliance:
 ASME A112.18.1 / CSA B125.1
 NSF 61 - Section 9
 NSF 372 (Low Lead Content)
 ANSI A117.1 (ADA)

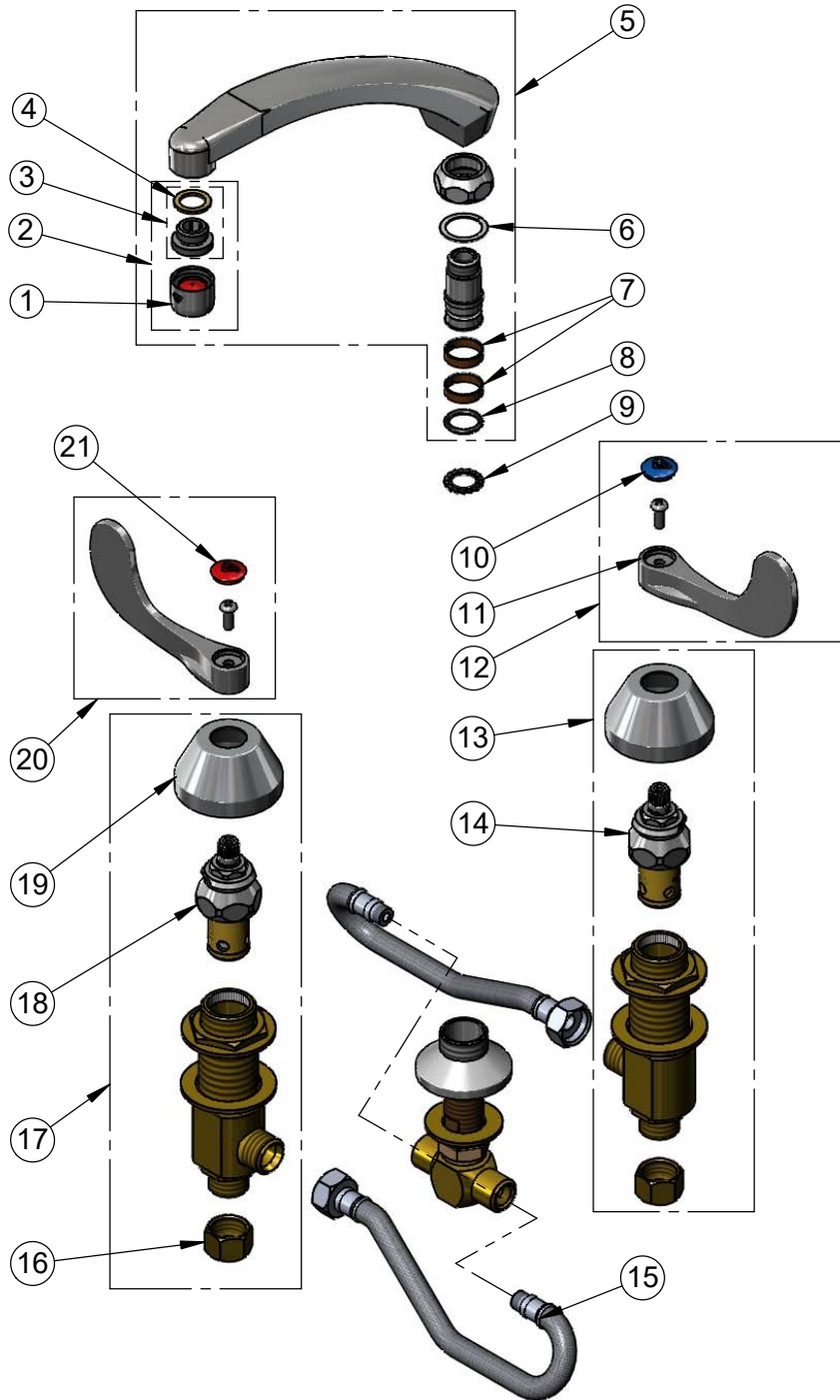


T&S BRASS AND BRONZE WORKS, INC.
 2 Saddleback Cove / P.O. Box 1088
 Travelers Rest, SC 29690

Model No.
B-2865-05-0CS8

Item No.

Travelers Rest, SC: 800-476-4103 • Simi Valley, CA: 800-423-0150 • Fax: 864-834-3518 • www.tsbrass.com



| ITEM NO. | SALES NO. | DESCRIPTION |
|----------|-------------|--|
| 1 | B-0199-01 | 2.2 GPM Aerator, 55/64-27 UN Female |
| 2 | B-0199-02 | 2.2 GPM Aerator, 3/8" NPSM Male |
| 3 | 044A | 3/8" to Aerator Adapter |
| 4 | 001043-45 | Washer |
| 5 | 0CS8 | 8" Swivel Cast Spout w/ 2.2 GPM Aerator |
| 6 | 009538-45 | Swivel Washer |
| 7 | 011429-45 | Swivel Sleeves (2) |
| 8 | 001074-45 | O-Ring |
| 9 | 014200-45 | Star Washer, Anti-Rotation |
| 10 | 018506-19NS | Blue Button Index, Press-in |
| 11 | B-WH4-NS | Wrist Action Handle (New Style) |
| 12 | B-WH4C-NS | Wrist Action Handle, Blue Index & Screw |
| 13 | 161A-NS | B-0850 New Style Side Body - Cold |
| 14 | 006477-40NS | CWS Quarter-Turn Eterna Cartridge w/ Spring Check, LTC |
| 15 | 011649-45 | 12" Stainless Steel Flex Hose |
| 16 | 000958-20 | Coupling Nut |
| 17 | 162A-NS | B-0850 New Style Side Body - Hot |
| 18 | 006478-40NS | CWS Quarter-Turn Eterna Cartridge w/ Spring Check, RTC |
| 19 | 001257-40NS | Bell Escutcheon |
| 20 | B-WH4H-NS | Wrist Action Handle, Red Index & Screw |
| 21 | 001193-19NS | Red Button Index, Press-in |

Product Specifications:

Adjustable Conealed Widespread Mixing Faucet, Quarter-Turn Eterna Cartridges w/ Spring Checks, 4" Wrist Action Handles, Rigid/Swivel Gooseneck, 2.2 GPM Rosespray Outlet & 1/2" NPT Male Inlets

Product Compliance:

ASME A112.18.1 / CSA B125.1
 NSF 61 - Section 9
 NSF 372 (Low Lead Content)
 ANSI A117.1 (ADA)