



T&S BRASS AND BRONZE WORKS, INC.

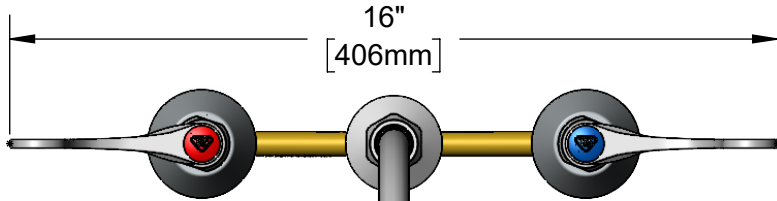
2 Saddleback Cove / P.O. Box 1088
Travelers Rest, SC 29690

Model No.

B-2862-WS

Item No.

Travelers Rest, SC: 800-476-4103 • Simi Valley, CA: 800-423-0150 • Fax: 864-834-3518 • www.tsbrass.com



This Space for Architect/Engineer Approval

Job Name _____ Date _____

Model Specified _____ Quantity _____

Customer/Wholesaler _____

Contractor _____

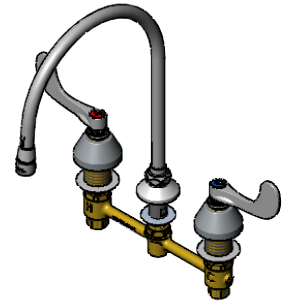
Architect/Engineer _____



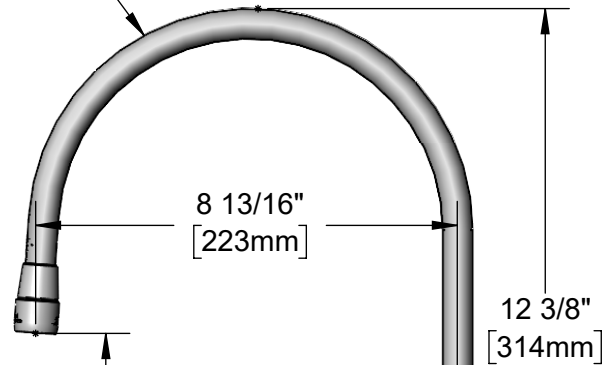
ADA Compliant



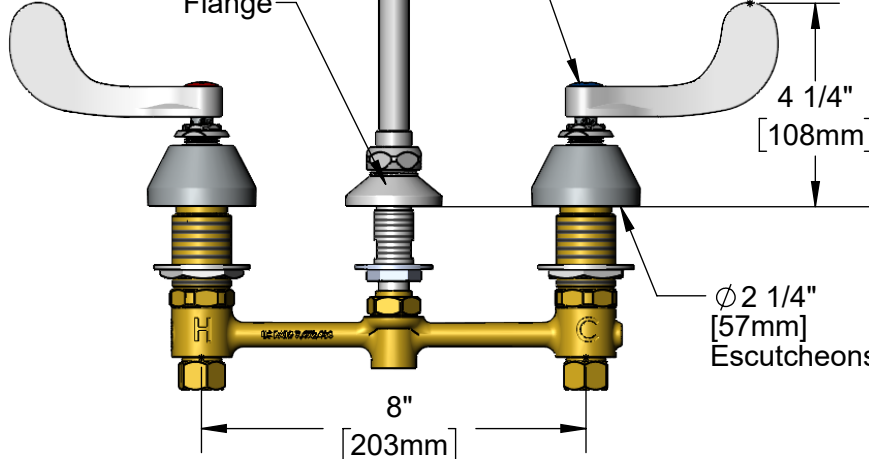
Swivel Gooseneck w/
B-0199-01-WS
1.5 GPM Aerator.
Rigid Conversion
Requires **014200-45**
Lock Washer (Included)



Quarter-Turn
Eterna Cartridges w/
Spring Checks &
4" Wrist Action Handles
w/ Color Coded Indexes



Ø 2" [51mm]
Swivel Deck
Flange



4 1/4" [108mm]

5 5/8" [143mm]

Mounting
Surface

1 1/4" Maximum
Thickness

Ø 2 1/4" [57mm]
Escutcheons

1/2" NPSM
Male Inlets
Coupling Nuts

Rough-In Requirement:
Center Shank: Ø 1" [25mm] Mounting Hole
Hot/Cold Side: Ø 1 1/2" [38mm] Mounting Holes

Product Specifications:

8" Concealed Widespread EasyInstall Mixing Faucet, Quarter-Turn Eterna Cartridges w/ Spring Checks, 4" Wrist Action Handles, Swivel/Rigid Gooseneck w/ 1.5 GPM Aerator & 1/2" NPT Male Inlets

Product Compliance:

ASME A112.18.1 / CSA B125.1
NSF 61 - Section 9
NSF 372 (Low Lead Content)
ANSI A117.1 (ADA)
EPA Water Sense



T&S BRASS AND BRONZE WORKS, INC.

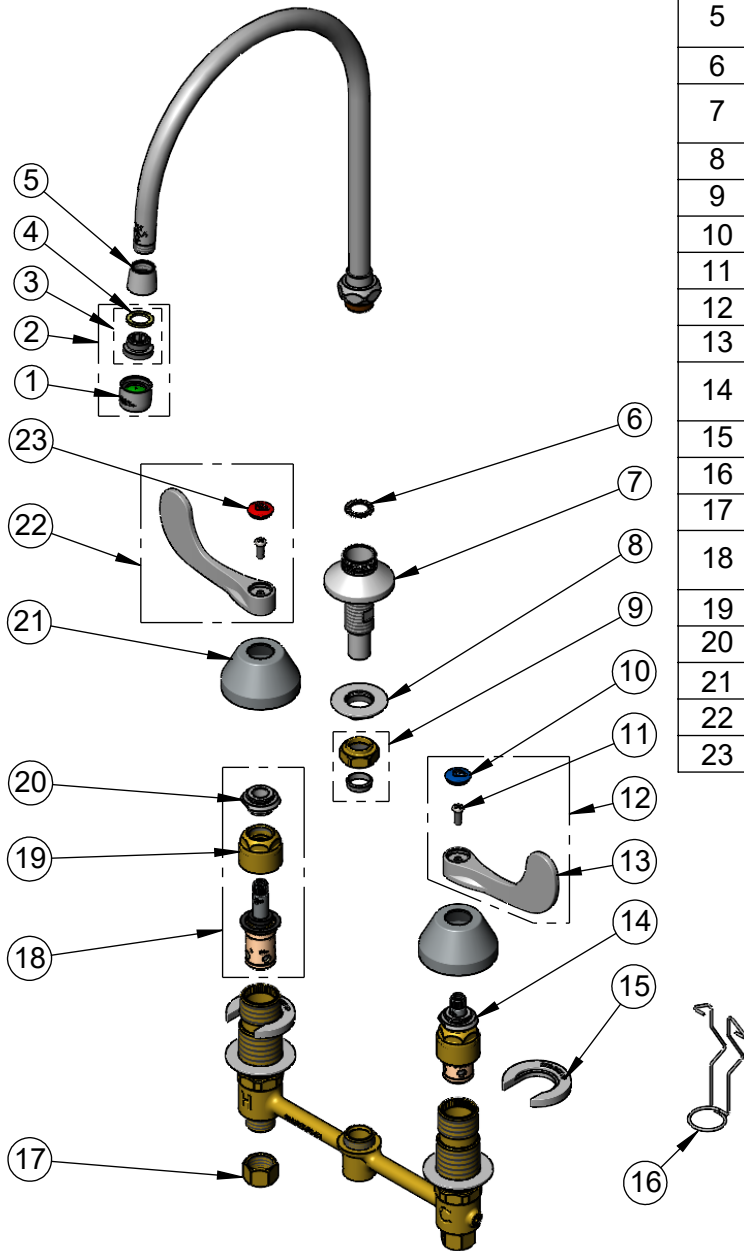
2 Saddleback Cove / P.O. Box 1088
Travelers Rest, SC 29690

Model No.

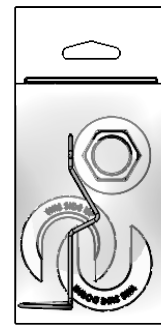
B-2862-WS

Item No.

Travelers Rest, SC: 800-476-4103 • Simi Valley, CA: 800-423-0150 • Fax: 864-834-3518 • www.tsbrass.com



ITEM NO.	SALES NO.	DESCRIPTION
1	B-0199-01-WS	1.5 GPM Aerator, 55/64-27 UN Female
2	B-0199-02-WS	1.5 GPM Aerator, 3/8" NPSM Male
3	044A	3/8" to Aerator Adapter
4	001043-45	Washer
5	020205-40	Adapter, 5/8-27 UN x 3/8-18 NPSM
6	014200-45	Star Washer, Anti-Rotation
7	016754-40NS	EasyInstall CWS Swivel Center Shank (New Style)
8	016742-45	Center Flange Nut
9	016745-45	Compression Nut & Fitting
10	018506-19NS	Blue Button Index, Press-in
11	000925-45	Lab Handle Screw
12	B-WH4C-NS	Wrist Action Handle, Blue Index & Screw
13	B-WH4-NS	Wrist Action Handle - New Style
14	016752-40NS	EasyInstall, CWS Quarter-Turn Eterna Cartridge w/ Spring Check, LTC
15	016749-45	Sidebody C-Washer
16	016777-45	CWS Hanger
17	000958-20	Coupling Nut
18	016753-40NS	EasyInstall, CWS Quarter-Turn Eterna Cartridge w/ Spring Check, RTC
19	016743-20	Eterna Bonnet - EXTENDED
20	009002-40NS	Packing Nut (New Style)
21	001257-40NS	Bell Escutcheon
22	B-WH4H-NS	Wrist Action Handle, Red Index & Screw
23	001193-19NS	Red Button Index, Press-in



017245-40

Installation Repair Kit
Includes #8, (2)#15, & #16

Product Specifications:

8" Concealed Widespread EasyInstall Mixing Faucet, Quarter-Turn Eterna Cartridges w/ Spring Checks, 4" Wrist Action Handles, Swivel/Rigid Gooseneck w/ 1.5 GPM Aerator & 1/2" NPT Male Inlets

Product Compliance:

ASME A112.18.1 / CSA B125.1
NSF 61 - Section 9
NSF 372 (Low Lead Content)
ANSI A117.1 (ADA)
EPA Water Sense