



T&S BRASS AND BRONZE WORKS, INC.

2 Saddleback Cove / P.O. Box 1088
Travelers Rest, SC 29690

Model No.

B-2858

Item No.

Travelers Rest, SC: 800-476-4103 • Simi Valley, CA: 800-423-0150 • Fax: 864-834-3518 • www.tsbrass.com

This Space for Architect/Engineer Approval

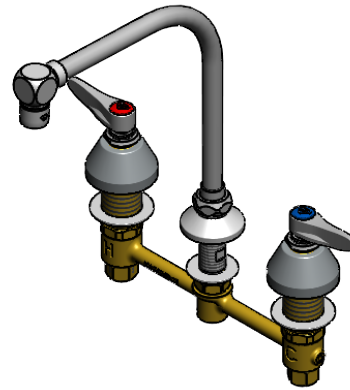
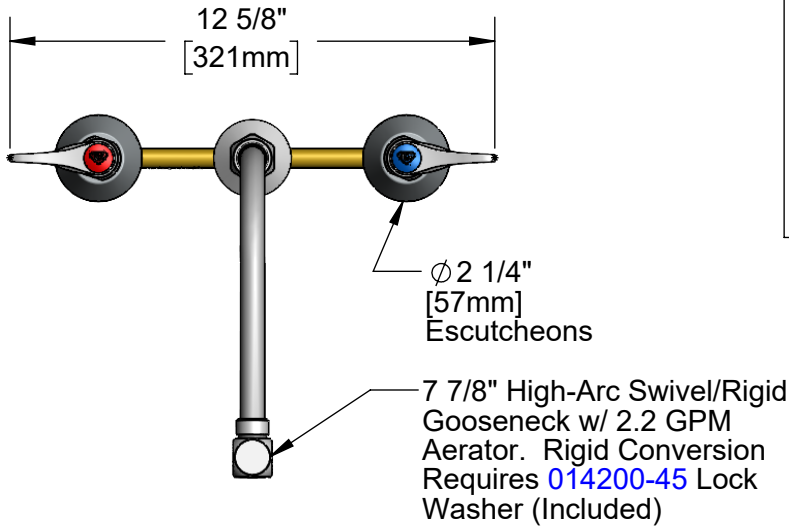
Job Name _____ Date _____

Model Specified _____ Quantity _____

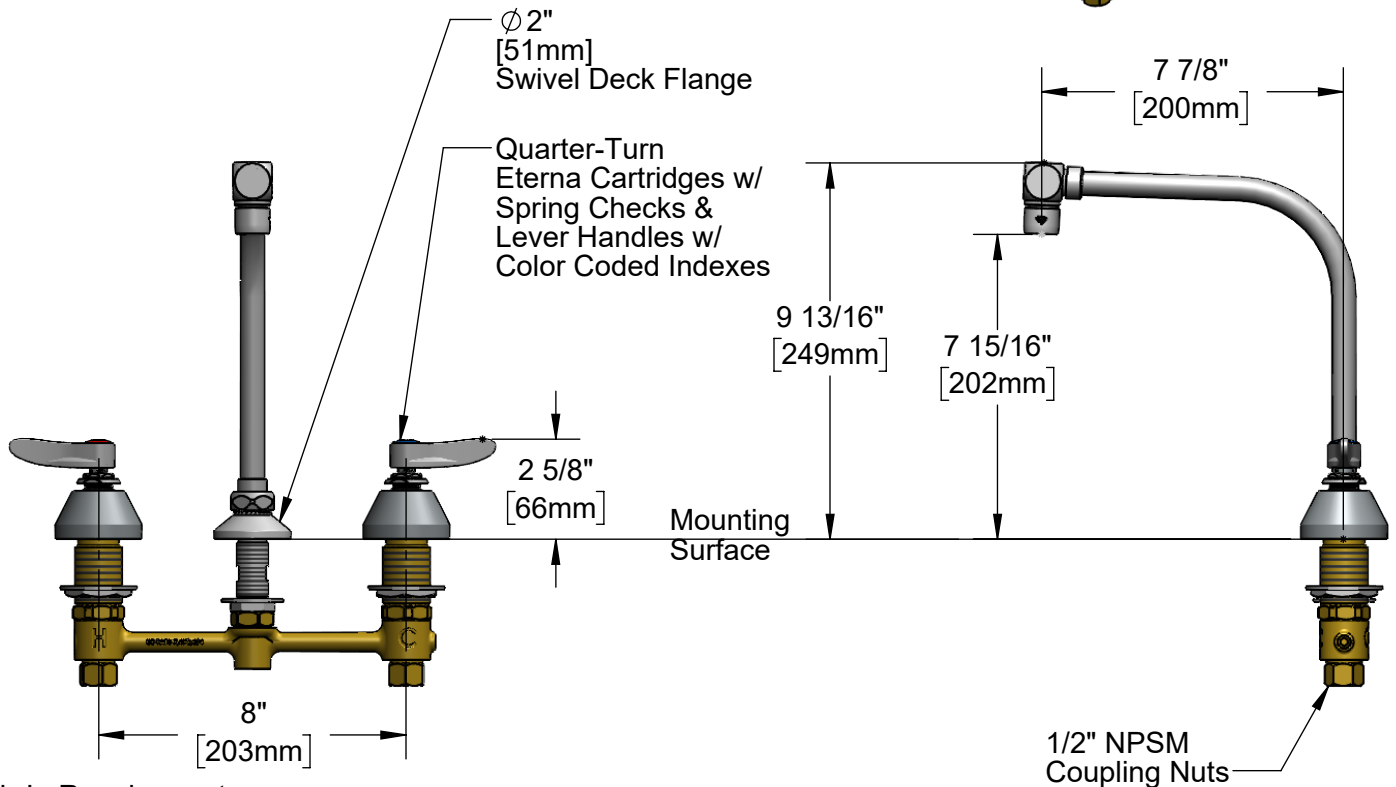
Customer/Wholesaler _____

Contractor _____

Architect/Engineer _____



ADA Compliant



Rough-In Requirement:
Ø 1" [25mm] for Center Shank
Ø 1 1/2" [38mm] for Hot/Cold Side

Product Specifications:
8" Concealed Widespread EasyInstall Mixing Faucet, Lever Handles, Quarter-Turn Eterna Cartridges w/ Spring Checks, High-Arc Swivel/Rigid Gooseneck w/ 2.2 GPM Aerator and 1/2" NPT Male Inlets

Product Compliance:
ASME A112.18.1 / CSA B125.1
NSF 61 - Section 9
NSF 372 (Low Lead Content)
ANSI A117.1 (ADA)



T&S BRASS AND BRONZE WORKS, INC.

2 Saddleback Cove / P.O. Box 1088
Travelers Rest, SC 29690

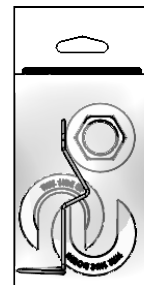
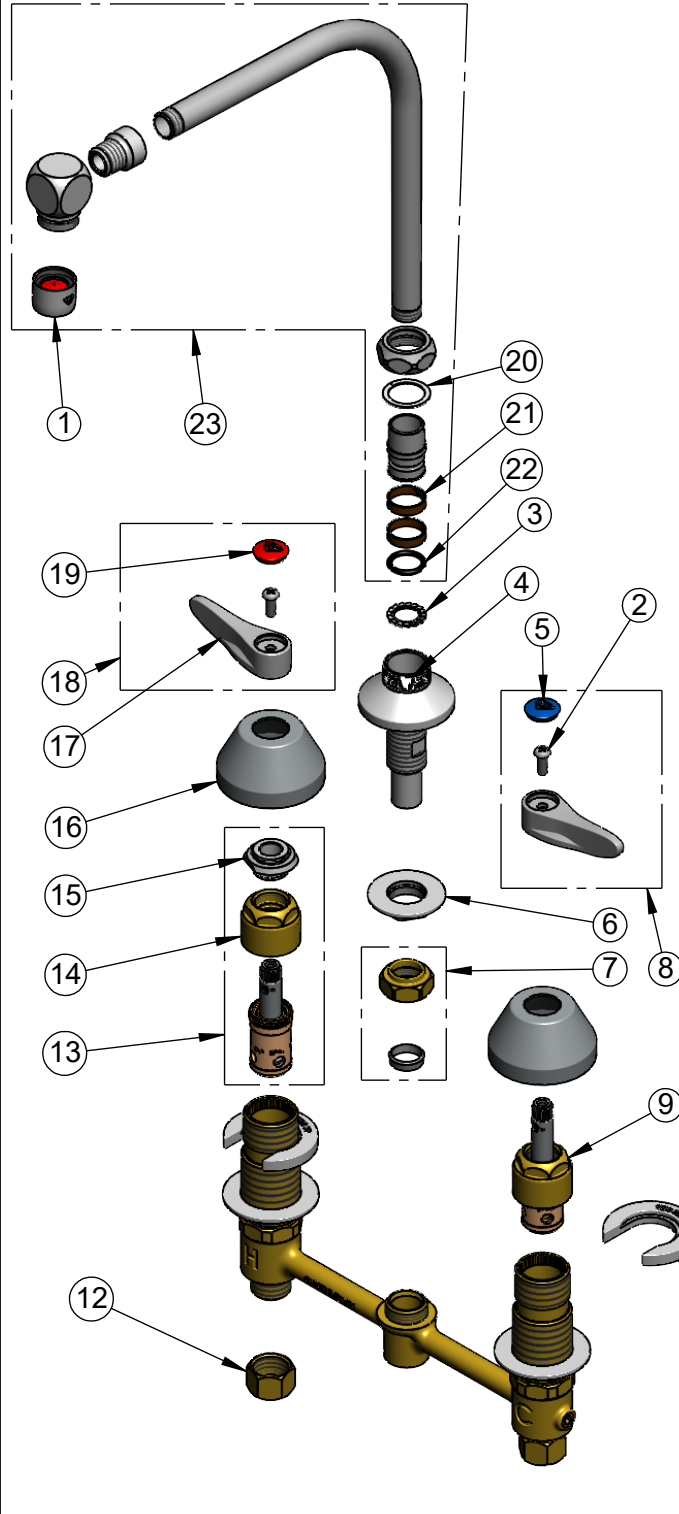
Model No.

B-2858

Item No.

Travelers Rest, SC: 800-476-4103 • Simi Valley, CA: 800-423-0150 • Fax: 864-834-3518 • www.tsbrass.com

ITEM NO.	SALES NO.	DESCRIPTION
1	B-0199-01	2.2 GPM Aerator, 55/64-27 UN Female
2	000925-45	Lab Handle Screw
3	014200-45	Star Washer, Anti-Rotation
4	016754-40NS	EasyInstall CWS Swivel Center Shank (New Style)
5	018506-19NS	Blue Button Index, Press-in
6	016742-45	Center Flange Nut
7	016745-45	Compression Nut & Fitting
8	001636-40NS	Lever Handle, Blue Index & Screw
9	016752-40NS	EasyInstall CWS LTC Quarter-Turn Eterna Cartridge w/ Spring Check
10	016749-45	Sidebody C-Washer
11	016777-45	CWS Hanger
12	000958-20	Coupling Nut
13	016753-40NS	EasyInstall CWS RTC Quarter-Turn Eterna Cartridge w/ Spring Check
14	016743-20	Eterna Bonnet - EXTENDED
15	009002-40NS	Packing Assembly (New Style)
16	001257-40NS	Bell Escutcheon
17	001638-45NS	Lever Handle (New Style)
18	001637-45NS	Lever Handle, Red Index & Screw
19	001193-19NS	Red Button Index, Press-in
20	009538-45	Swivel Washer
21	011429-45	Swivel Sleeves (2)
22	001074-45	O-Ring
23	B-2403	High-Arc Swivel/Rigid Gooseneck w/ 2.2 GPM Aerator



017245-40
Installation Repair Kit
Includes #6, (2)#10, & #11

Product Specifications:
8" Concealed Widespread EasyInstall Mixing Faucet, Lever Handles, Quarter-Turn Eterna Cartridges w/ Spring Checks, High-Arc Swivel/Rigid Gooseneck w/ 2.2 GPM Aerator and 1/2" NPT Male Inlets

Product Compliance:
ASME A112.18.1 / CSA B125.1
NSF 61 - Section 9
NSF 372 (Low Lead Content)
ANSI A117.1 (ADA)