



# T&S BRASS AND BRONZE WORKS, INC.

2 Saddleback Cove / P.O. Box 1088  
Travelers Rest, SC 29690

Model No.

**B-2856-L**

Item No.

Travelers Rest, SC: 800-476-4103 • Simi Valley, CA: 800-423-0150 • Fax: 864-834-3518 • www.tsbrass.com

This Space for Architect/Engineer Approval

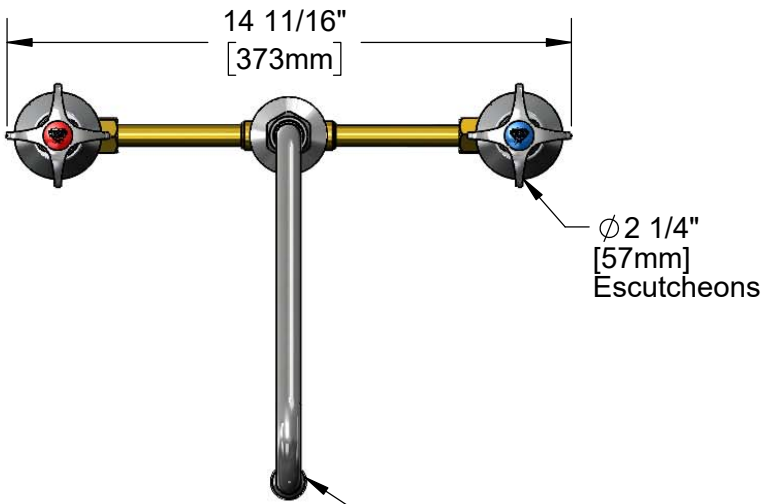
Job Name \_\_\_\_\_ Date \_\_\_\_\_

Model Specified \_\_\_\_\_ Quantity \_\_\_\_\_

Customer/Wholesaler \_\_\_\_\_

Contractor \_\_\_\_\_

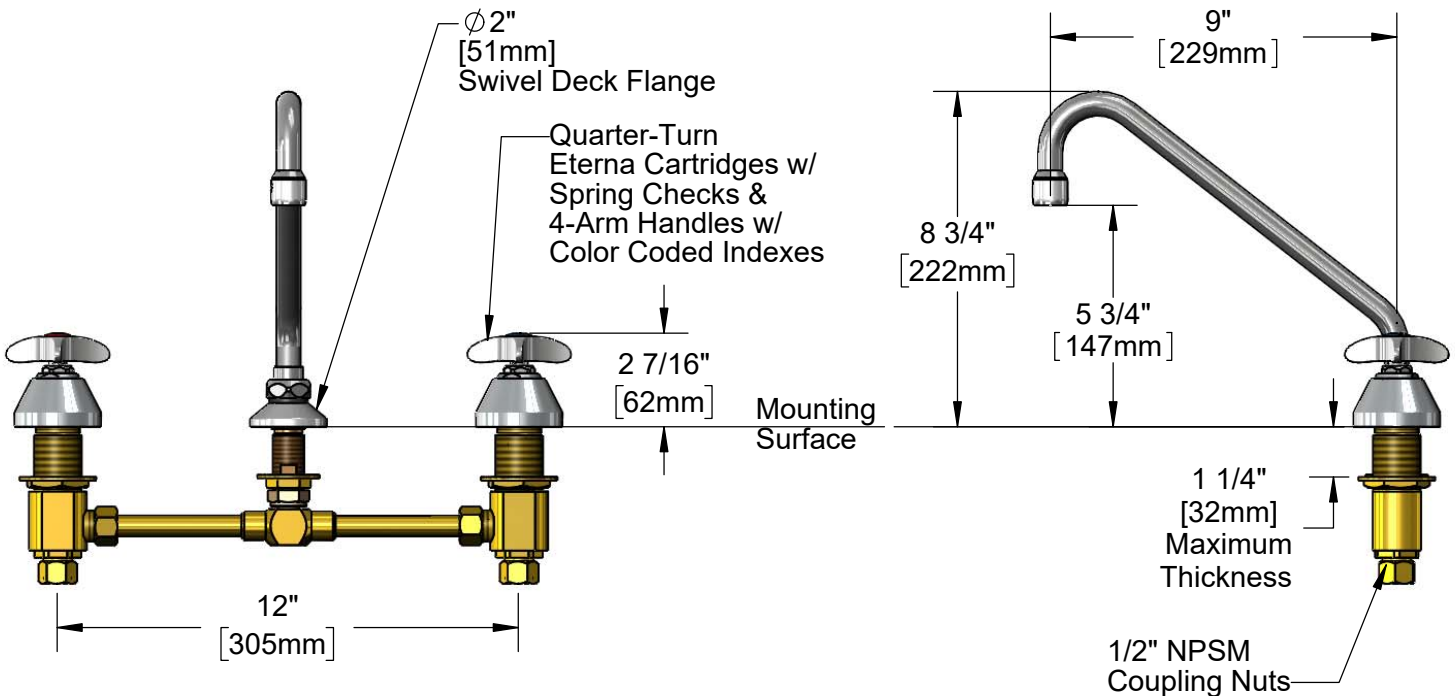
Architect/Engineer \_\_\_\_\_



9" Swing Nozzle w/  
**B-0199-01**  
2.2 GPM Aerator.  
Rigid Conversion Requires  
**014200-45** Lock Washer  
(Included)



**ADA Compliant**



### Rough-In Requirement:

Ø 1" [25mm] for Center Shank

Ø 1 1/2" [38mm] for Hot/Cold Side

### Product Specifications:

12" Concealed Widespread Mixing Faucet, 4-Arm Handles, Quarter-Turn Eterna Cartridges w/ Spring Checks, 9" Swing Nozzle w/ 2.2 GPM Aerator and 1/2" NPT Male Inlets

### Product Compliance:

ASME A112.18.1 / CSA B125.1  
NSF 61 - Section 9  
NSF 372 (Low Lead Content)  
ANSI A117.1 (ADA)



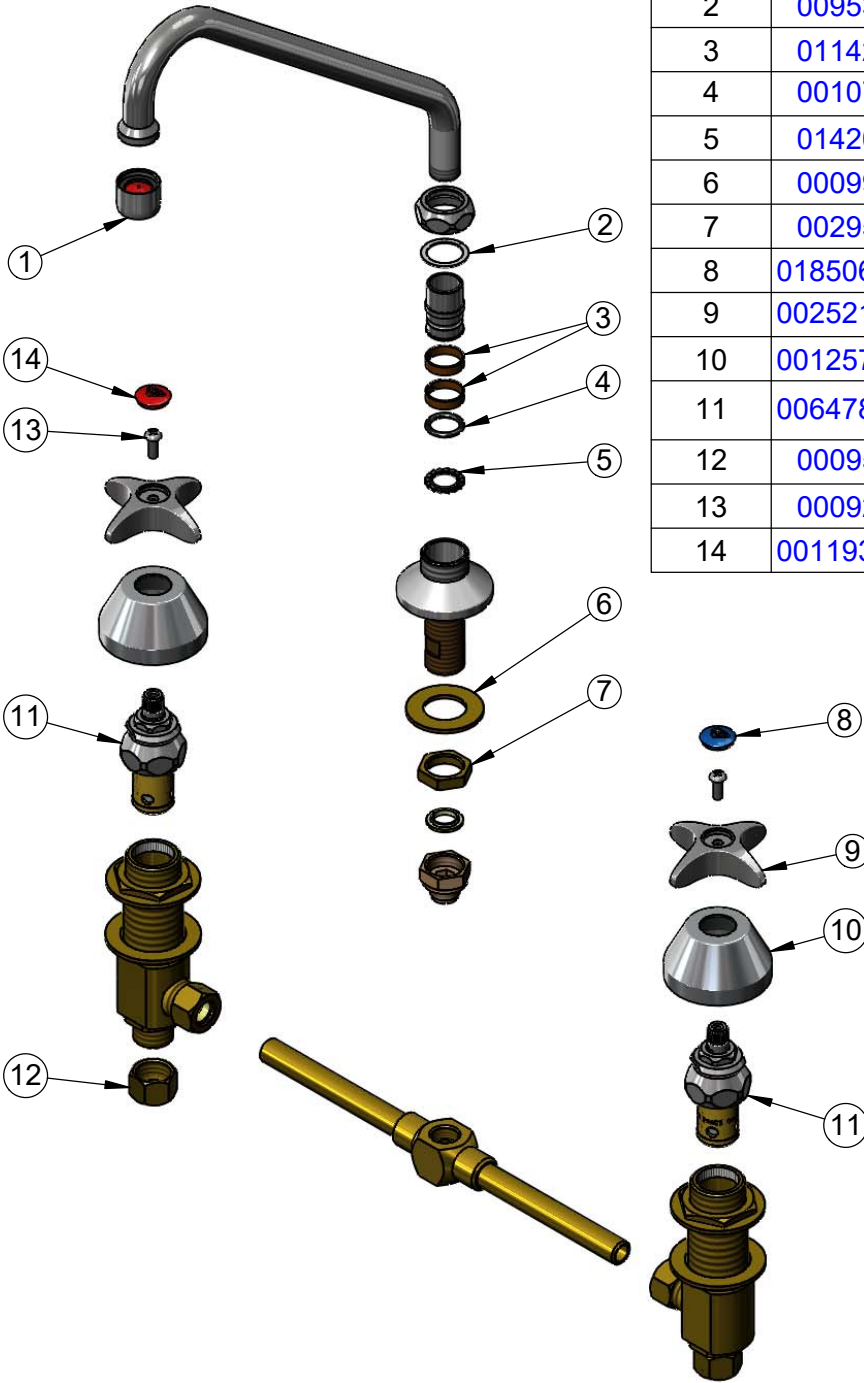
**T&S BRASS AND BRONZE WORKS, INC.**  
 2 Saddleback Cove / P.O. Box 1088  
 Travelers Rest, SC 29690

Model No.  
**B-2856-L**

Item No.

Travelers Rest, SC: 800-476-4103 • Simi Valley, CA: 800-423-0150 • Fax: 864-834-3518 • www.tsbrass.com

ITEM NO.	SALES NO.	DESCRIPTION
1	B-0199-01	2.2 GPM Aerator, 55/64-27 UN Female
2	009538-45	Swivel Washer
3	011429-45	Swivel Sleeves (2)
4	001074-45	O-Ring
5	014200-45	Star Washer, Anti-Rotation
6	000999-45	Brass Lock Washer
7	002954-45	Shank Lock Nut
8	018506-19NS	Blue Button Index, Press-in
9	002521-45NS	4-Arm Handle (New Style)
10	001257-40NS	Bell Escutcheon
11	006478-40NS	CWS Quarter-Turn Eterna Cartridge w/ Spring Check, RTC
12	000958-20	Coupling Nut
13	000925-45	Lab Handle Screw
14	001193-19NS	Red Button Index, Press-in



**Product Specifications:**  
 12" Concealed Widespread Mixing Faucet, 4-Arm Handles, Quarter-Turn Eterna Cartridges w/ Spring Checks, 9" Swing Nozzle w/ 2.2 GPM Aerator and 1/2" NPT Male Inlets

**Product Compliance:**  
 ASME A112.18.1 / CSA B125.1  
 NSF 61 - Section 9  
 NSF 372 (Low Lead Content)  
 ANSI A117.1 (ADA)