



**T&S BRASS AND BRONZE WORKS, INC.**  
 2 Saddleback Cove / P.O. Box 1088  
 Travelers Rest, SC 29690

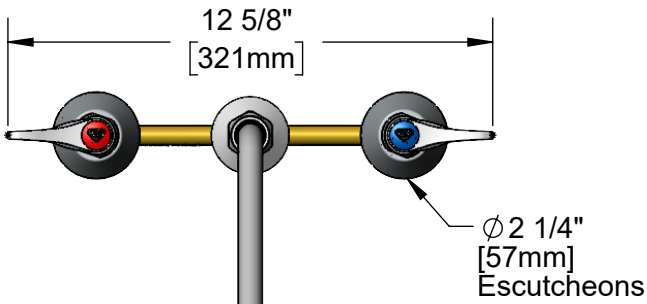
Model No.  
**B-2855**

Item No.

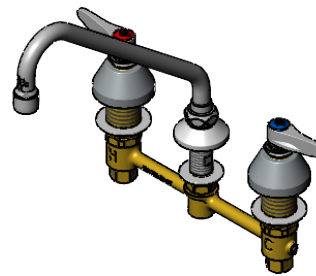
Travelers Rest, SC: 800-476-4103 • Simi Valley, CA: 800-423-0150 • Fax: 864-834-3518 • www.tsbrass.com

This Space for Architect/Engineer Approval

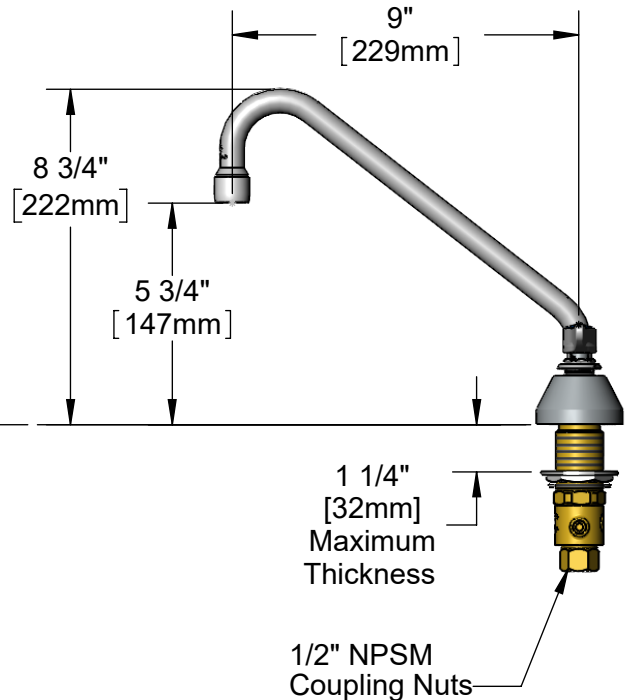
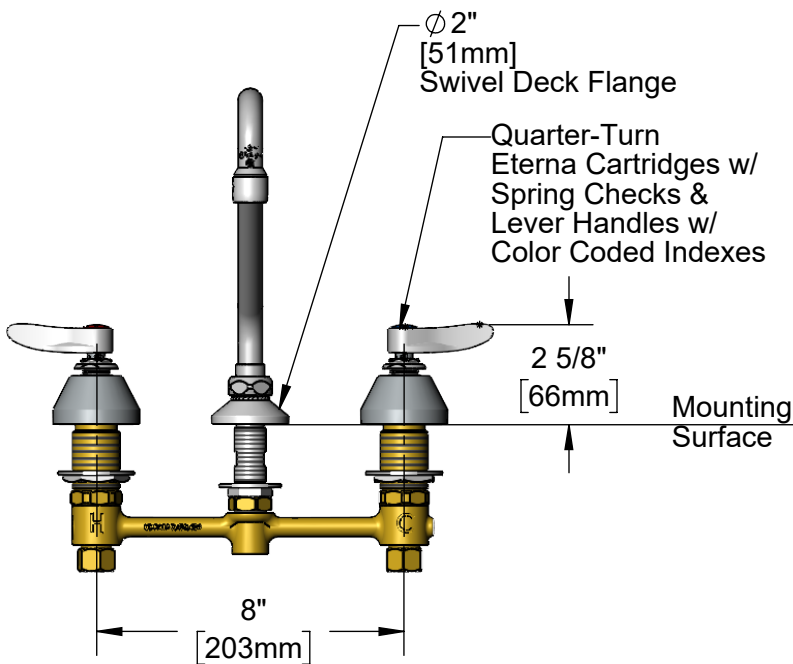
Job Name \_\_\_\_\_ Date \_\_\_\_\_  
 Model Specified \_\_\_\_\_ Quantity \_\_\_\_\_  
 Customer/Wholesaler \_\_\_\_\_  
 Contractor \_\_\_\_\_  
 Architect/Engineer \_\_\_\_\_



9" Swing Nozzle w/  
 2.2 GPM Aerator.  
 Rigid Conversion Requires  
 014200-45 Lock Washer  
 (Included)



**ADA Compliant**



**Rough-In Requirement:**  
 $\phi$  1" [25mm] for Center Shank  
 $\phi$  1 1/2" [38mm] for Hot/Cold Side

**Product Specifications:**  
 8" Concealed Widespread EasyInstall Mixing Faucet, Lever Handles, Quarter-Turn Eterna Cartridges w/ Spring Checks, 9" Swing Nozzle w/ 2.2 GPM Aerator and 1/2" NPSM Male Inlets

**Product Compliance:**  
 ASME A112.18.1 / CSA B125.1  
 NSF 61 - Section 9  
 NSF 372 (Low Lead Content)  
 ANSI A117.1 (ADA)



# T&S BRASS AND BRONZE WORKS, INC.

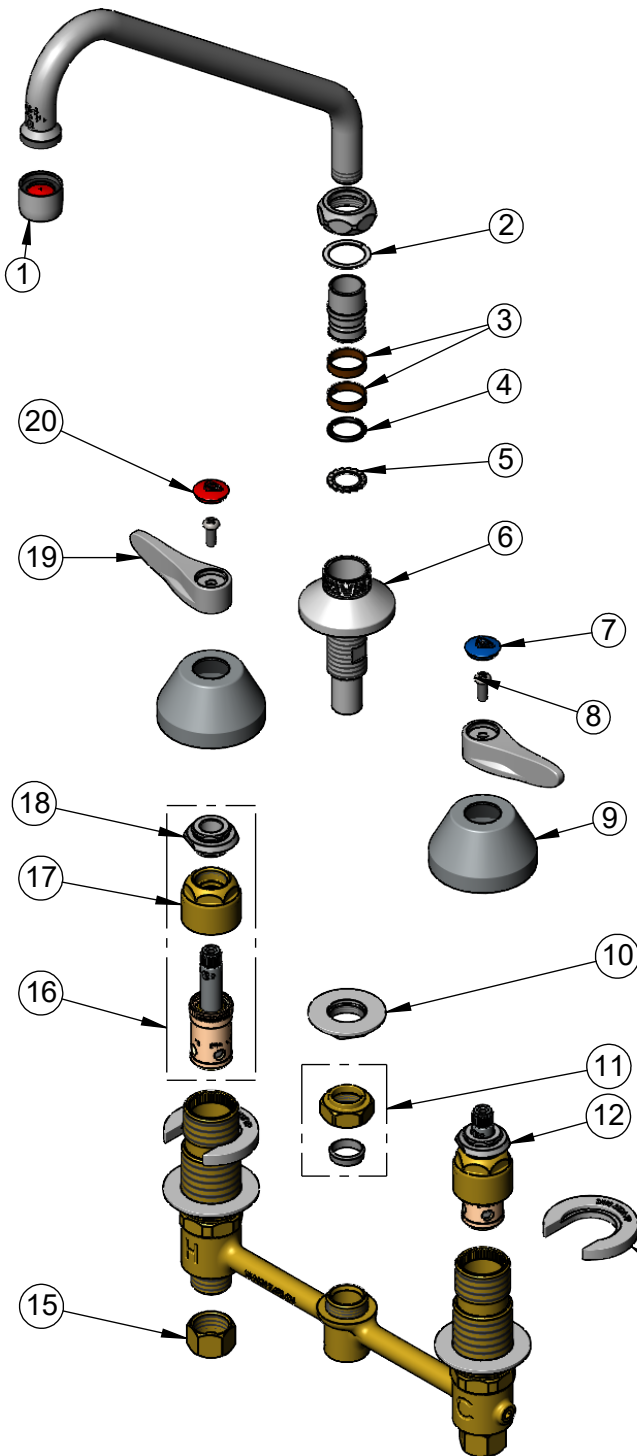
2 Saddleback Cove / P.O. Box 1088  
Travelers Rest, SC 29690

Model No.

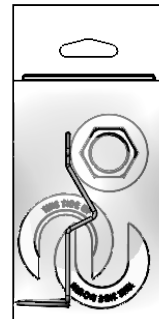
**B-2855**

Item No.

Travelers Rest, SC: 800-476-4103 • Simi Valley, CA: 800-423-0150 • Fax: 864-834-3518 • www.tsbrass.com



ITEM NO.	SALES NO.	DESCRIPTION
1	<a href="#">B-0199-01</a>	2.2 GPM Aerator, 55/64-27 UN Female
2	<a href="#">009538-45</a>	Swivel Washer
3	<a href="#">011429-45</a>	Swivel Sleeves (2)
4	<a href="#">001074-45</a>	O-Ring
5	<a href="#">014200-45</a>	Star Washer, Anti-Rotation
6	<a href="#">016754-40NS</a>	EasyInstall CWS Swivel Center Shank (New Style)
7	<a href="#">018506-19NS</a>	Blue Button Index, Press-in
8	<a href="#">000925-45</a>	Lab Handle Screw
9	<a href="#">001257-40NS</a>	Bell Escutcheon
10	<a href="#">016742-45</a>	Center Flange Nut
11	<a href="#">016745-45</a>	Compression Nut & Fitting
12	<a href="#">016752-40NS</a>	EasyInstall, CWS Quarter-Turn Eterna Cartridge w/ Spring Check, LTC
13	<a href="#">016777-45</a>	CWS Hanger
14	<a href="#">016749-45</a>	Sidebody C-Washer
15	<a href="#">000958-20</a>	Coupling Nut
16	<a href="#">016753-40NS</a>	EasyInstall, CWS Quarter-Turn Eterna Cartridge w/ Spring Check, RTC
17	<a href="#">016743-20</a>	Eterna Bonnet - EXTENDED
18	<a href="#">009002-40NS</a>	Packing Assembly (New Style)
19	<a href="#">001638-45NS</a>	Lever Handle (New Style)
20	<a href="#">001193-19NS</a>	Red Button Index, Press-in



**017245-40**  
Installation Repair Kit  
Includes #10, #13, & (2)#14

**Product Specifications:**

8" Concealed Widespread EasyInstall Mixing Faucet, Lever Handles, Quarter-Turn Eterna Cartridges w/ Spring Checks, 9" Swing Nozzle w/ 2.2 GPM Aerator and 1/2" NPSM Male Inlets

**Product Compliance:**

ASME A112.18.1 / CSA B125.1  
NSF 61 - Section 9  
NSF 372 (Low Lead Content)  
ANSI A117.1 (ADA)