



T&S BRASS AND BRONZE WORKS, INC.

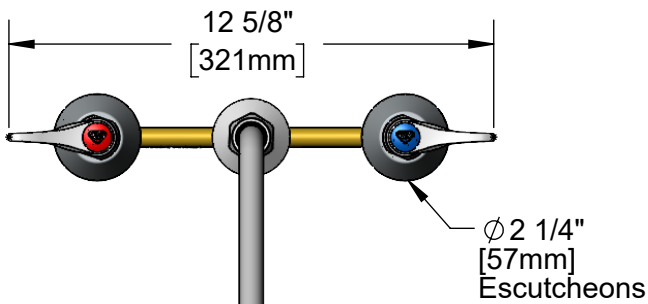
2 Saddleback Cove / P.O. Box 1088
Travelers Rest, SC 29690

Model No.

B-2855-WS

Item No.

Travelers Rest, SC: 800-476-4103 • Simi Valley, CA: 800-423-0150 • Fax: 864-834-3518 • www.tsbrass.com



This Space for Architect/Engineer Approval

Job Name _____ Date _____

Model Specified _____ Quantity _____

Customer/Wholesaler _____

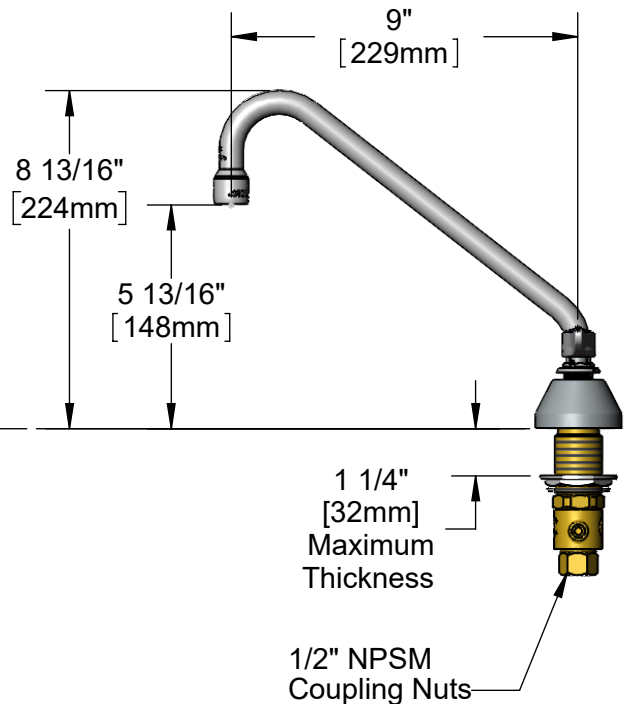
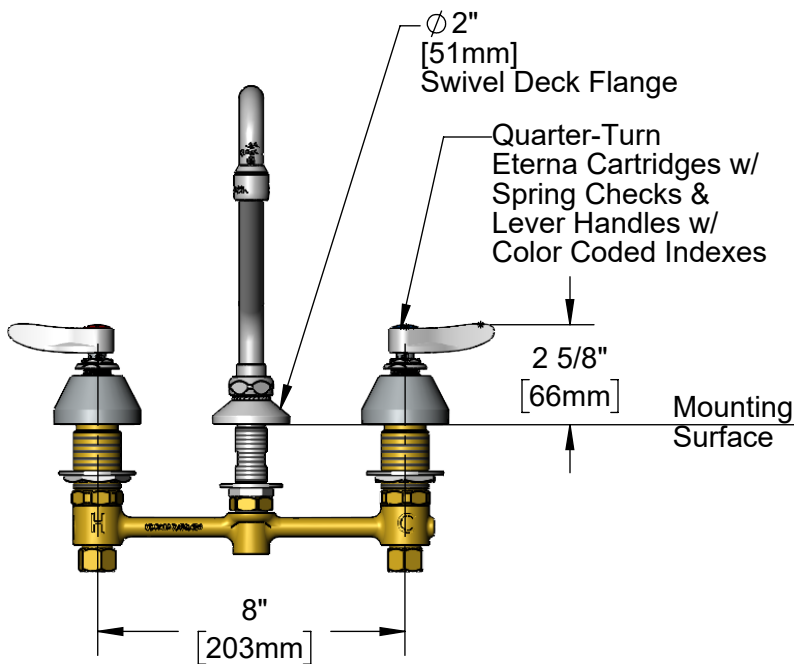
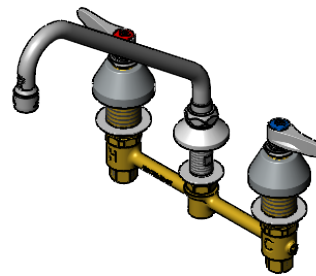
Contractor _____

Architect/Engineer _____



ADA Compliant

9" Swing Nozzle w/
B-0199-01-WS
1.5 GPM Aerator.
Rigid Conversion Requires
014200-45 Lock Washer
(Included)



Rough-In Requirement:

Ø 1" [25mm] for Center Shank

Ø 1 1/2" [38mm] for Hot/Cold Side

Product Specifications:

8" Concealed Widespread EasyInstall Mixing Faucet, Lever Handles, Quarter-Turn Eterna Cartridges w/ Spring Checks, 9" Swing Nozzle w/ 1.5 GPM Aerator and 1/2" NPT Male Inlets

Product Compliance:

ASME A112.18.1 / CSA B125.1
NSF 61 - Section 9
NSF 372 (Low Lead Content)
ANSI A117.1 (ADA)
EPA WaterSense

Drawn: KJG

Checked: JRM

Approved: JHB

Date: 04/15/24

Scale: 1:5

Sheet: 1 of 2



T&S BRASS AND BRONZE WORKS, INC.

2 Saddleback Cove / P.O. Box 1088
Travelers Rest, SC 29690

Model No.

B-2855-WS

Item No.

Travelers Rest, SC: 800-476-4103 • Simi Valley, CA: 800-423-0150 • Fax: 864-834-3518 • www.tsbrass.com

ITEM NO.	SALES NO.	DESCRIPTION
1	B-0199-01-WS	1.5 GPM Aerator, 55/64-27 Female
2	009538-45	Swivel Washer
3	011429-45	Swivel Sleeves (2)
4	001074-45	O-Ring
5	014200-45	Star Washer, Anti-Rotation
6	018506-19NS	Blue Button Index, Press-in
7	000925-45	Lab Handle Screw
8	001257-40NS	Bell Escutcheon
9	016754-40NS	EasyInstall CWS Swivel Center Shank (New Style)
10	016742-45	Center Flange Nut
11	016745-45	Compression Nut & Fitting
12	016752-40NS	EasyInstall, CWS Quarter-Turn Eterna Cartridge w/ Spring Check, LTC
13	016777-45	CWS Hanger
14	016749-45	Sidebody C-Washer
15	000958-20	Coupling Nut
16	016753-40NS	EasyInstall, CWS Quarter-Turn Eterna Cartridge w/ Spring Check, RTC
17	016743-20	Eterna Bonnet - EXTENDED
18	009002-40NS	Packing Assembly (New Style)
19	001638-45NS	Lever Handle (New Style)
20	001193-19NS	Red Button Index, Press-in

017245-40
Installation Repair Kit
Includes #10, #13, & (2)#14

Product Specifications:
8" Concealed Widespread EasyInstall Mixing Faucet, Lever Handles, Quarter-Turn Eterna Cartridges w/ Spring Checks, 9" Swing Nozzle w/ 1.5 GPM Aerator and 1/2" NPT Male Inlets

Product Compliance:
ASME A112.18.1 / CSA B125.1
NSF 61 - Section 9
NSF 372 (Low Lead Content)
ANSI A117.1 (ADA)
EPA WaterSense