



T&S BRASS AND BRONZE WORKS, INC.
 2 Saddleback Cove / P.O. Box 1088
 Travelers Rest, SC 29690

Model No.
B-2853-RSW-VR05

Item No.

Travelers Rest, SC: 800-476-4103 • Simi Valley, CA: 800-423-0150 • Fax: 864-834-3518 • www.tsbrass.com

This Space for Architect/Engineer Approval

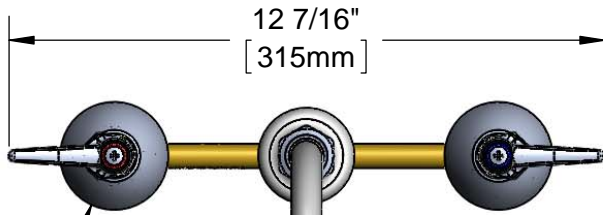
Job Name _____ Date _____

Model Specified _____ Quantity _____

Customer/Wholesaler _____

Contractor _____

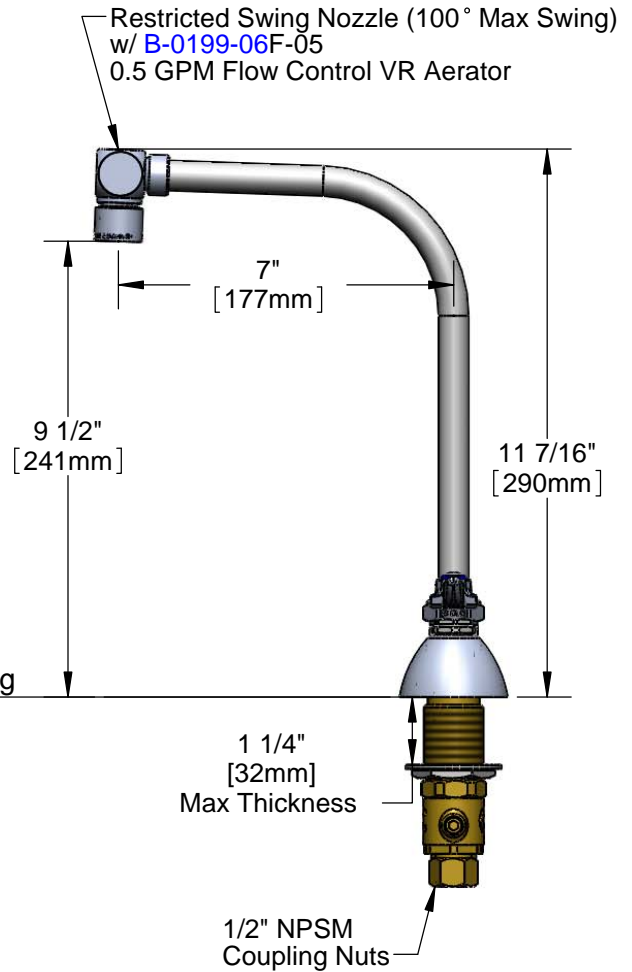
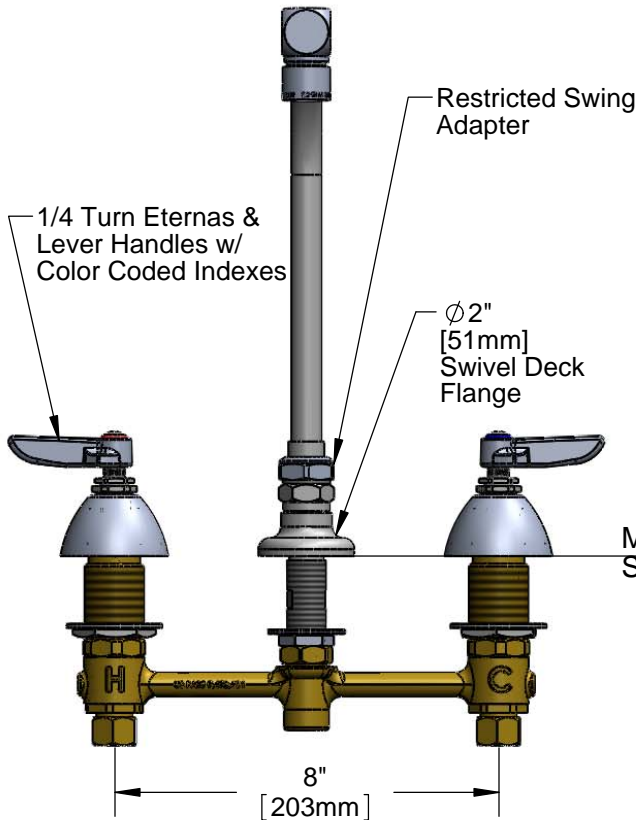
Architect/Engineer _____



Ø2 1/4"
 [57mm]
 Escutcheons



ADA Compliant

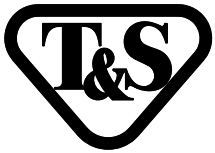


Rough-In Requirement:
 Ø1" [25mm] for Center Shank
 Ø1 1/2" [38mm] for Hot/Cold Side

Product Specifications:
 EasyInstall Faucet, Lever Handles, Restricted Swing Nozzle
 w/ 0.5 GPM Flow Control VR Aerator, Eterna, 8" Inlet Centers

Drawn JRM	Checked DMH	Approved JHB
---------------------	-----------------------	------------------------

Scale: 1:4	Date: 06/21/12
----------------------	--------------------------

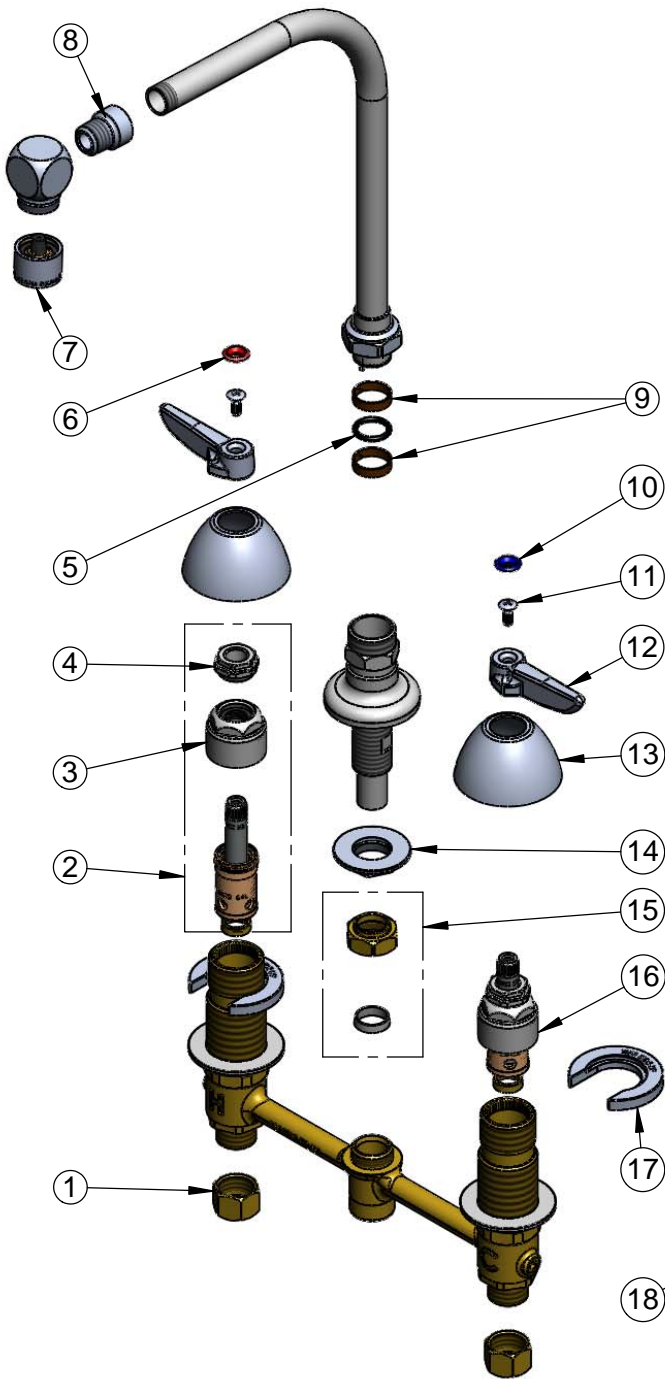


T&S BRASS AND BRONZE WORKS, INC.
 2 Saddleback Cove / P.O. Box 1088
 Travelers Rest, SC 29690

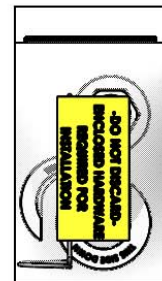
Model No.
B-2853-RSW-VR05

Item No.

Travelers Rest, SC: 800-476-4103 • Simi Valley, CA: 800-423-0150 • Fax: 864-834-3518 • www.tsbrass.com



ITEM NO.	SALES NO.	DESCRIPTION
1	000958-20	Coupling Nut
2	016926-40	EasyInstall CWS RTC 1/4 Turn Eterna (Teflon)
3	016743-25	CWS Eterna Bonnet
4	009002-25	Packing Nut Assembly
5	001074-45	O-Ring
6	001661-45	Red Index-HW
7	B-0199-06F-05	55/64-27 Female VR Aerator w/ VR Key
8	000564-25	Adapter, 3/8 NPT Male x 5/8-27 Female
9	011429-45	Swivel Sleeves (2)
10	001660-45	Blue Index-CW
11	000922-45	Lever Handle Screw
12	001638-45	Lever Handle
13	001257-40	Bell Escutcheon
14	016742-45	Center Flange Nut
15	016745-45	Compression Nut & Fitting
16	016925-40	EasyInstall CWS LTC 1/4 Turn Eterna (Teflon)
17	016749-45	Sidebody C-Washer
18	016777-45	CWS Hanger



017245-40
 Installation Repair Kit
 Includes #14, (2)#17, & #18



015425-45
 Vandal Resistant Aerator Key

Product Specifications:
 EasyInstall Faucet, Lever Handles, Restricted Swing Nozzle
 w/ 0.5 GPM Flow Control VR Aerator, Eterna, 8" Inlet Centers

Drawn JRM	Checked DMH	Approved JHB
Scale: NTS		Date: 06/21/12