

T&S BRASS AND BRONZE WORKS, INC.

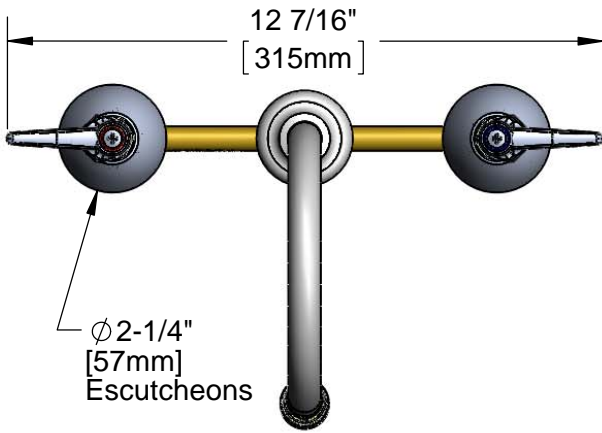
2 Saddleback Cove / P.O. Box 1088
Travelers Rest, SC 29690

Model No.

B-2850-VF05

Item No.

Travelers Rest, SC: 800-476-4103 • Simi Valley, CA: 800-423-0150 • Fax: 864-834-3518 • www.tsbrass.com



This Space for Architect/Engineer Approval

Job Name _____ Date _____

Model Specified _____ Quantity _____

Customer/Wholesaler _____

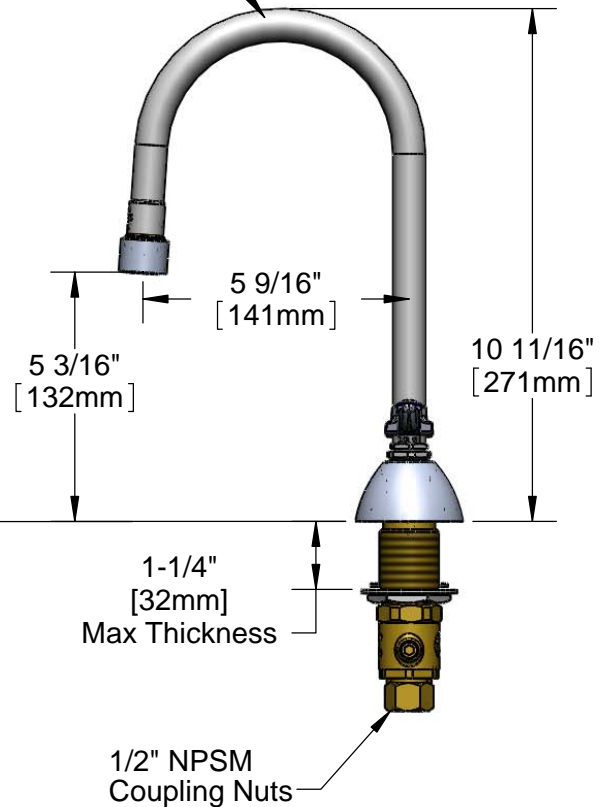
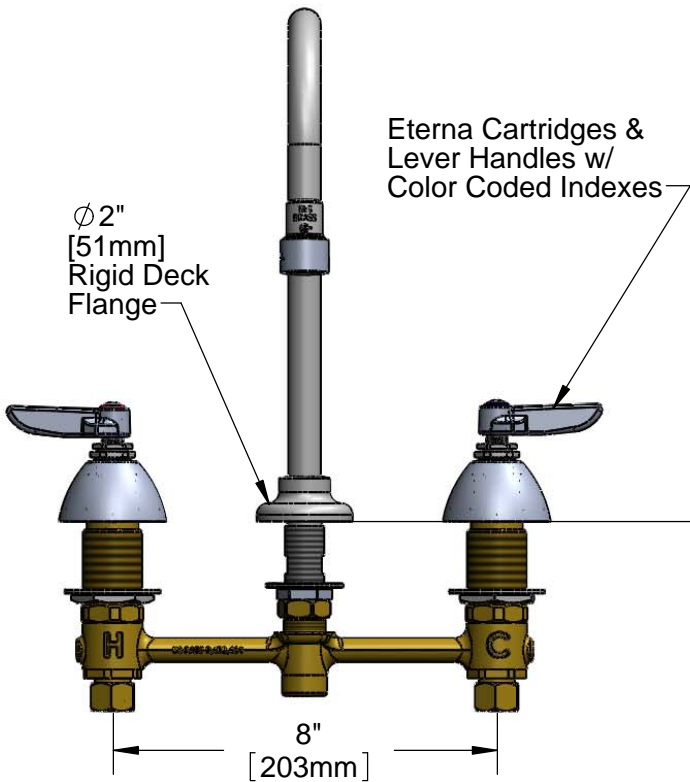
Contractor _____

Architect/Engineer _____



ADA Compliant

Rigid Gooseneck
w/ 0.5 GPM VR Non-Aerated
Spray Device



Rough-In Requirement:
Ø 1" [25mm] for Center Shank
Ø 1-1/2" [38mm] for Hot/Cold Side

Product Specifications:
EasyInstall Faucet w/ Lever Handles, Eterna Cartridges,
8" Inlet Centers, Rigid Gooseneck w/ 0.5 GPM VR
Non-Aerated Spray Device

| | | |
|----------------------|-----------------------|--------------------------|
| Drawn JRM | Checked DMH | Approved JHB |
| Scale: 1:4 | | Date: 06/21/12 |



T&S BRASS AND BRONZE WORKS, INC.

2 Saddleback Cove / P.O. Box 1088
Travelers Rest, SC 29690

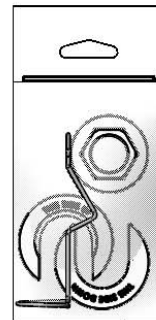
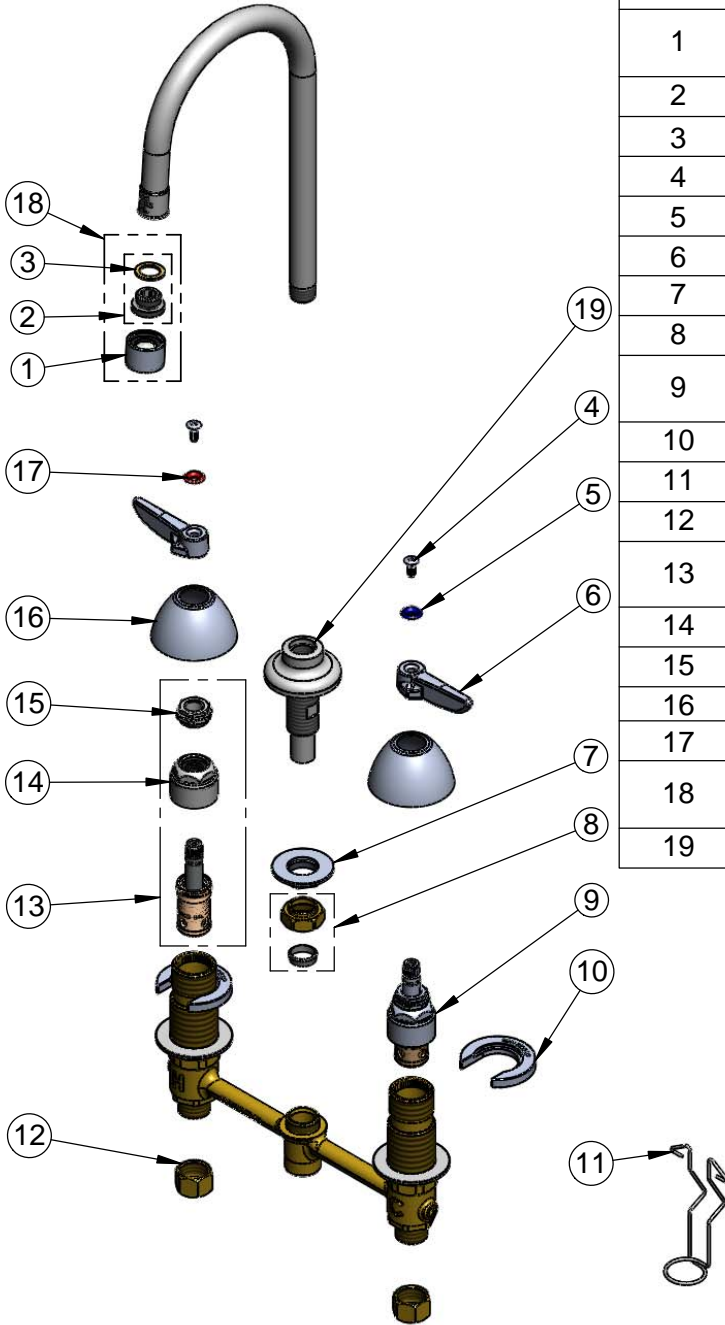
Model No.

B-2850-VF05

Item No.

Travelers Rest, SC: 800-476-4103 • Simi Valley, CA: 800-423-0150 • Fax: 864-834-3518 • www.tsbrass.com

| ITEM NO. | SALES NO. | DESCRIPTION |
|----------|---------------|--|
| 1 | B-0199-06-N05 | 0.5 GPM VR Spray Device, 55/64-27 Female |
| 2 | 044A | 3/8" to Aerator Adapter |
| 3 | 001043-45 | Washer |
| 4 | 000922-45 | Lever Handle Screw |
| 5 | 001660-45 | Blue Index-CW |
| 6 | 001638-45 | Lever Handle |
| 7 | 016742-45 | Center Flange Nut |
| 8 | 016745-45 | Compression Nut & Fitting |
| 9 | 016752-40 | EasyInstall CWS LTC Eterna (Teflon) |
| 10 | 016749-45 | Sidebody C-Washer |
| 11 | 016777-45 | CWS Hanger |
| 12 | 000958-20 | Coupling Nut |
| 13 | 016753-40 | EasyInstall CWS RTC Eterna (Teflon) |
| 14 | 016743-25 | CWS Bonnet Assembly |
| 15 | 009002-25 | Packing Nut Assembly |
| 16 | 001257-40 | Bell Escutcheon |
| 17 | 001661-45 | Red Index-HW |
| 18 | B-0199-07-N05 | 0.5 GPM VR Spray Device Asm., 3/8" NPSM |
| 19 | 016847-40 | EasyInstall CWS Rigid Center Shank |



017245-40
Installation Repair Kit
Includes #7, (2)#10, & #11



015425-45
Vandal Resistant Key
(Included w/ Spray Device)

Product Specifications:
EasyInstall Faucet w/ Lever Handles, Eterna Cartridges,
8" Inlet Centers, Rigid Gooseneck w/ 0.5 GPM VR
Non-Aerated Spray Device

| | | |
|----------------------|-----------------------|--------------------------|
| Drawn JRM | Checked DMH | Approved JHB |
| Scale: NTS | | Date: 06/21/12 |