



T&S BRASS AND BRONZE WORKS, INC.

2 Saddleback Cove / P.O. Box 1088
Travelers Rest, SC 29690

Model No.

B-2821

Item No.

Travelers Rest, SC: 800-476-4103 • Simi Valley, CA: 800-423-0150 • Fax: 864-834-3518 • www.tsbrass.com

This Space for Architect/Engineer Approval

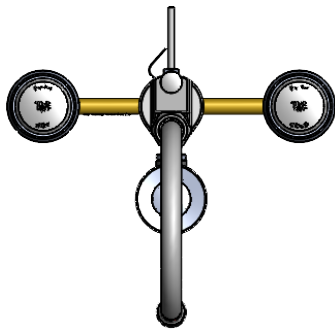
Job Name _____ Date _____

Model Specified _____ Quantity _____

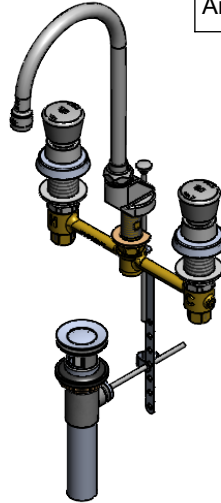
Customer/Wholesaler _____

Contractor _____

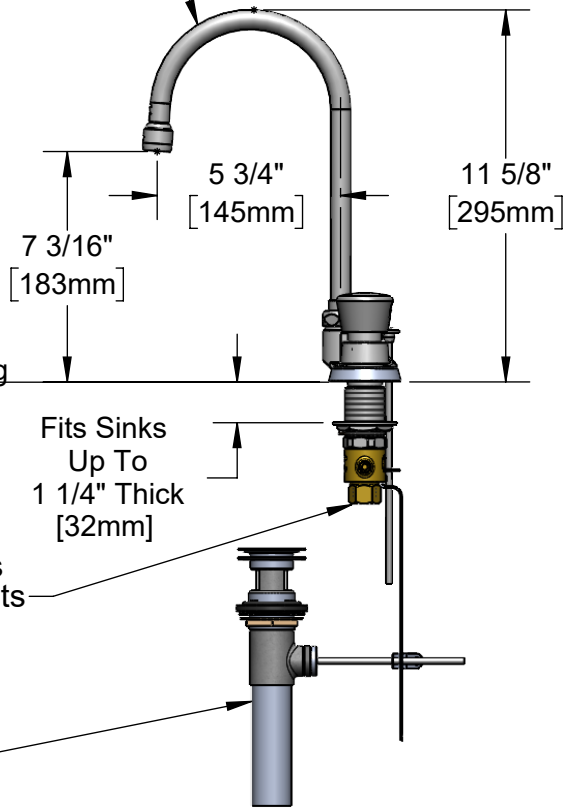
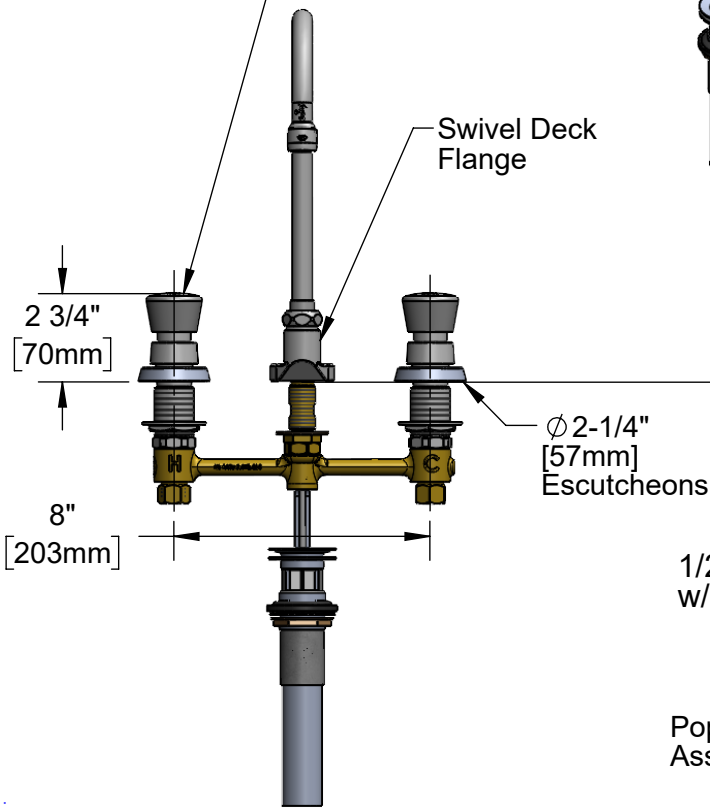
Architect/Engineer _____



Push Button
Metering Caps



133X-A22
Swivel Gooseneck w/
2.2 GPM Aerator.
Rigid Conversion Requires
014200-45 Lock Washer
(Included)



Rough-In Requirements:

Center Shank: Ø 1" [25mm] Mounting Hole

Hot/Cold Sides: Ø 1 1/2" [38mm] Mounting Holes

Pop-Up Drain: Fits Sinks with 1 7/16" [36mm] to 1 3/4" [44mm] Drain Hole

Product Specifications:

EasyInstall 8" Concealed Widespread Mixing Faucet, Metering Cartridges, Pop-Up Drain, Push Button Handles, 5 3/4" Rigid/Swivel Gooseneck w/ 2.2 GPM Aerator & 1/2" NPT Male Inlets w/ Coupling Nuts

Product Compliance:

ASME A112.18.1 / CSA B125.1
NSF 61 - Section 9
NSF 372 (Low Lead Content)



T&S BRASS AND BRONZE WORKS, INC.

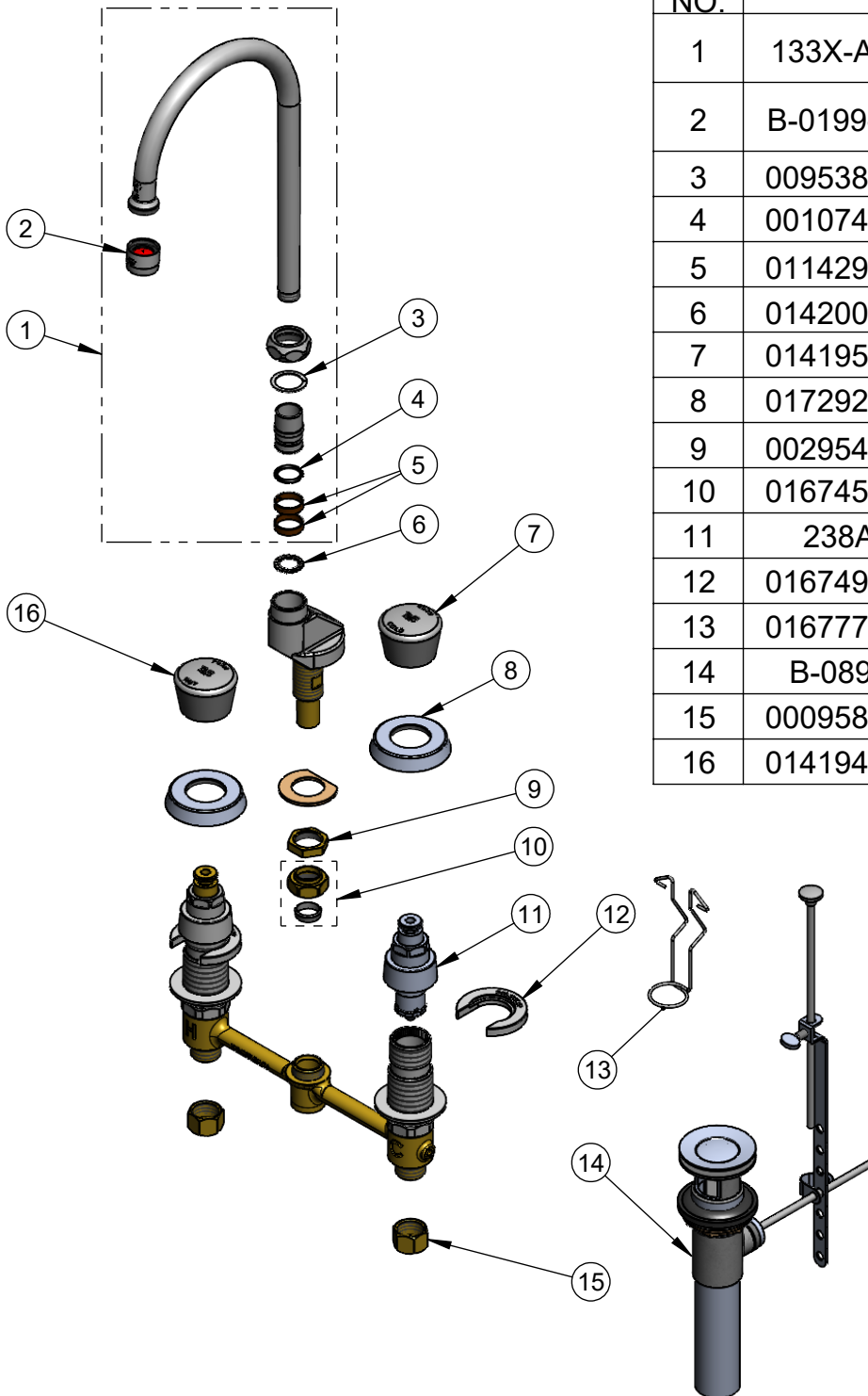
2 Saddleback Cove / P.O. Box 1088
Travelers Rest, SC 29690

Model No.

B-2821

Item No.

Travelers Rest, SC: 800-476-4103 • Simi Valley, CA: 800-423-0150 • Fax: 864-834-3518 • www.tsbrass.com



ITEM NO.	SALES NO.	DESCRIPTION
1	133X-A22	5 3/4" Swivel Gooseneck w/ 2.2 GPM Aerator
2	B-0199-01	2.2 GPM Aerator, 55/64-27 UN Female
3	009538-45	Swivel Washer
4	001074-45	O-Ring
5	011429-45	Swivel Sleeves (2)
6	014200-45	Star Washer, Anti-Rotation
7	014195-40	Cold Cap Assembly
8	017292-45	Metering CWS Escutcheon
9	002954-45	Shank Lock Nut
10	016745-45	Compression Nut & Fitting
11	238A	Push Button Metering Cartridge
12	016749-45	Sidebody C-Washer
13	016777-45	CWS Hanger
14	B-0898	Pop-Up Drain
15	000958-20	Coupling Nut
16	014194-40	Hot Cap Assembly

Product Specifications:

EasyInstall 8" Concealed Widespread Mixing Faucet, Metering Cartridges, Pop-Up Drain, Push Button Handles, 5 3/4" Rigid/Swivel Gooseneck w/ 2.2 GPM Aerator & 1/2" NPT Male Inlets w/ Coupling Nuts

Product Compliance:

ASME A112.18.1 / CSA B125.1
NSF 61 - Section 9
NSF 372 (Low Lead Content)