



T&S BRASS AND BRONZE WORKS, INC.

2 Saddleback Cove / P.O. Box 1088
Travelers Rest, SC 29690



REG. #A2601
ISO #9001

Model No.

B-2821-01

Item No.

Travelers Rest, SC: 800-476-4103 Simi Valley, CA: 800-423-0150 Fax: 864-834-3518 www.tsbrass.com

This Space for Architect/Engineer Approval

Job Name _____ Date _____

Model Specified _____ Quantity _____

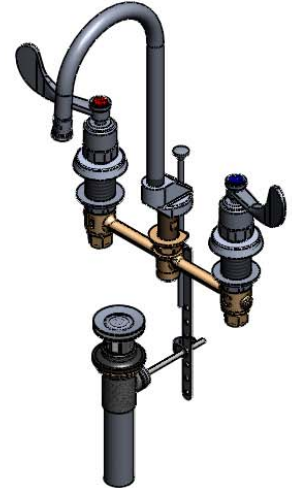
Customer/Wholesaler _____

Contractor _____

Architect/Engineer _____

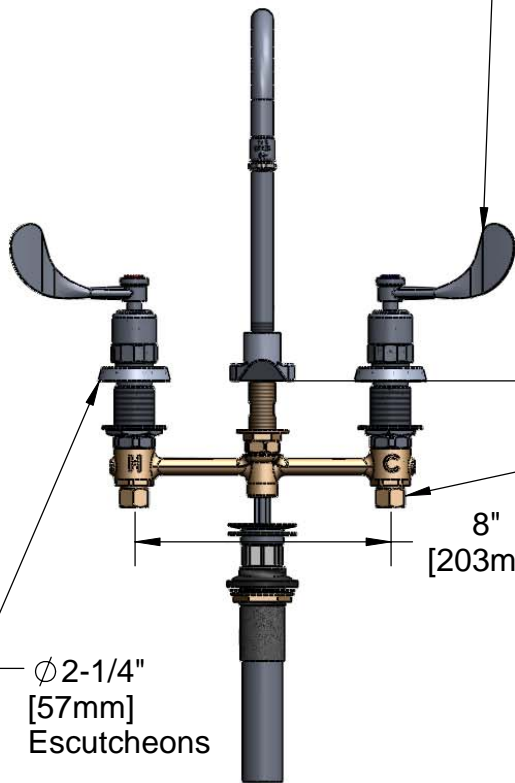


ADA Compliant



B-WH4
Wrist Action Handles
w/ Color Coded Indexes

120X Rigid Gooseneck
w/ **B-LT** Stream Regulator
Outlet



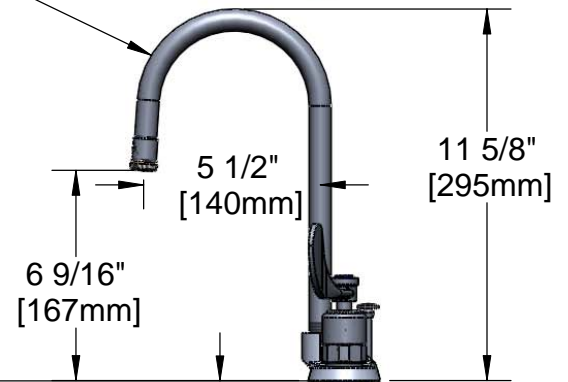
Mounting
Surface

1/2" NPSM
Coupling Nuts

8"
[203mm]

Fits Sinks
Up To
1-1/4" Thick
[32mm]

Pop-Up Drain Assembly



Note: Rough-In Required:

Ø 1"[25mm] for Center Shank

Ø 1-1/2"[38mm] for Hot/Cold Side [1-1/4"[32mm] Minimum]

Product Specifications:

EasyInstall Faucet w/ 4" Wrist Action Handles, Slow-Close Metering Cartridges, 8" Inlet Centers, Pop-Up Drain, 120X Rigid Gooseneck w/ B-LT Outlet

Drawn
JRM

Checked
GEF

Approved
JHB

Scale:

NTS

Date:

12/08/08



T&S BRASS AND BRONZE WORKS, INC.

2 Saddleback Cove / P.O. Box 1088
Travelers Rest, SC 29690



REG. #A2601
ISO #9001

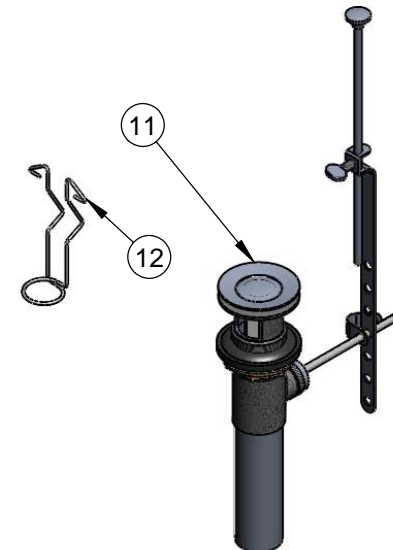
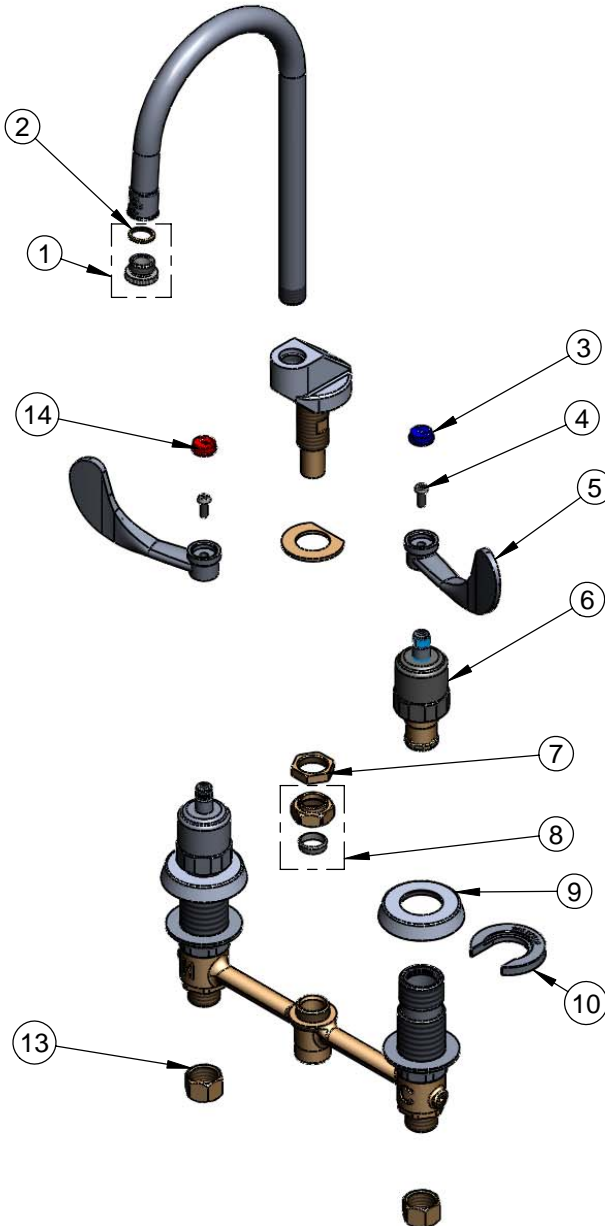
Model No.

B-2821-01

Item No.

Travelers Rest, SC: 800-476-4103 Simi Valley, CA: 800-423-0150 Fax: 864-834-3518 www.tsbrass.com

ITEM NO.	SALES NO.	DESCRIPTION
1	B-LT	Stream Regulator Outlet
2	001043-45	Washer
3	001686-45	Blue CW Index
4	000925-45	Lab Handle Screw
5	B-WH4	4" Wrist Action Handle
6	012449-40	Wrist Action Metering Cartridge Assembly
7	002954-45	Shank Lock Nut
8	016745-45	Compression Nut & Fitting
9	017292-45	Metering CWS Escutcheon
10	016749-45	Sidebody C-Washer
11	B-0898	Pop-Up Drain
12	016777-45	CWS Hanger
13	000958-20	Coupling Nut
14	001194-45	Red HW Index



Product Specifications:

EasyInstall Faucet w/ 4" Wrist Action Handles, Slow-Close Metering Cartridges, 8" Inlet Centers, Pop-Up Drain, 120X Rigid Gooseneck w/ B-LT Outlet

Drawn JRM	Checked GEF	Approved JHB
Scale: NTS		Date: 12/08/08