



**T&S BRASS AND BRONZE WORKS, INC.**  
 2 Saddleback Cove / P.O. Box 1088  
 Travelers Rest, SC 29690

Model No.  
**B-2740**

Item No.

Travelers Rest, SC: 800-476-4103 • Simi Valley, CA: 800-423-0150 • Fax: 864-834-3518 • www.tsbrass.com



**ADA Compliant**

This Space for Architect/Engineer Approval

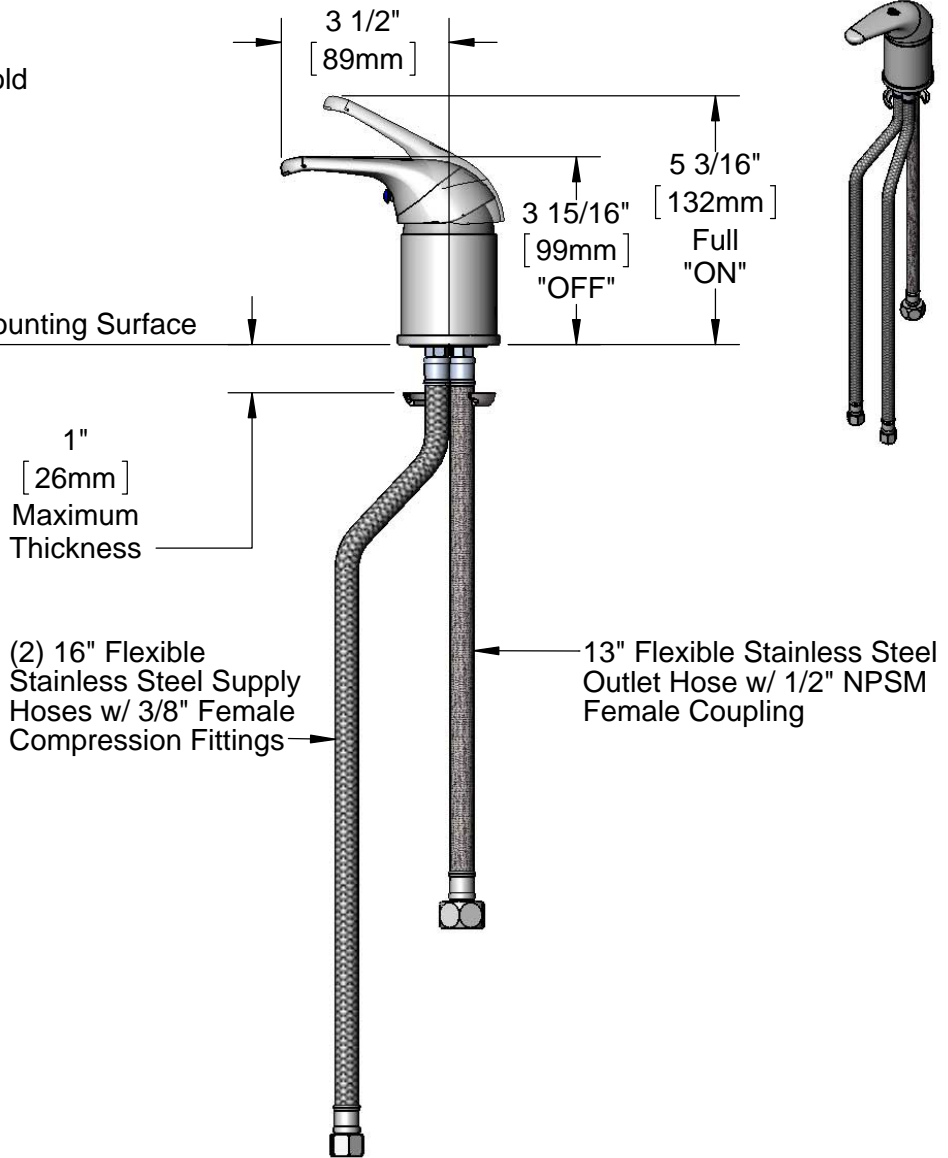
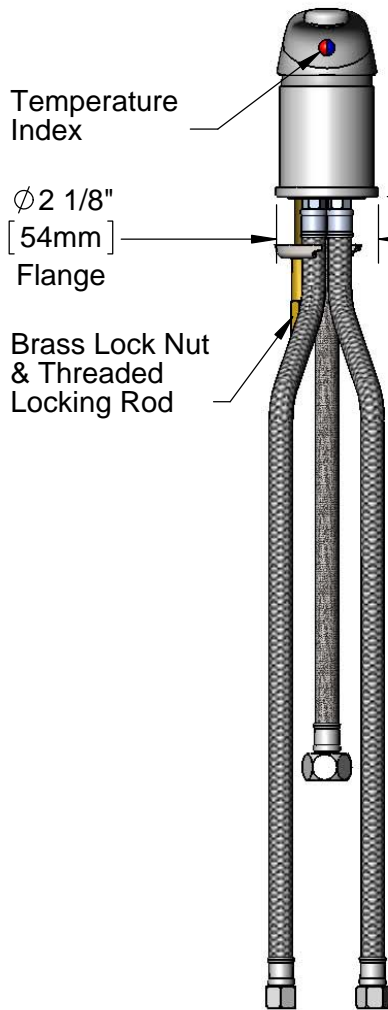
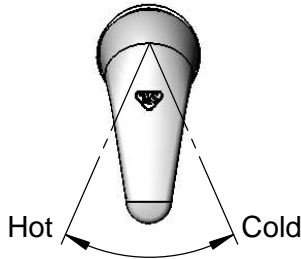
Job Name \_\_\_\_\_ Date \_\_\_\_\_

Model Specified \_\_\_\_\_ Quantity \_\_\_\_\_

Customer/Wholesaler \_\_\_\_\_

Contractor \_\_\_\_\_

Architect/Engineer \_\_\_\_\_



Rough-In Requirement:  
 $\phi 1 \frac{1}{2}$ " [38mm] Mounting Hole

Product Specifications:  
 Single Lever Remote On/Off Control Base Faucet, Ceramic Cartridge  
 & (2) 16" Flexible Stainless Steel Supply Hoses

Product Compliance:  
 ASME A112.18.1 / CSA B125.1  
 NSF 61 - Section 9  
 NSF 372 (Low Lead Content)  
 ANSI A117.1 (ADA)

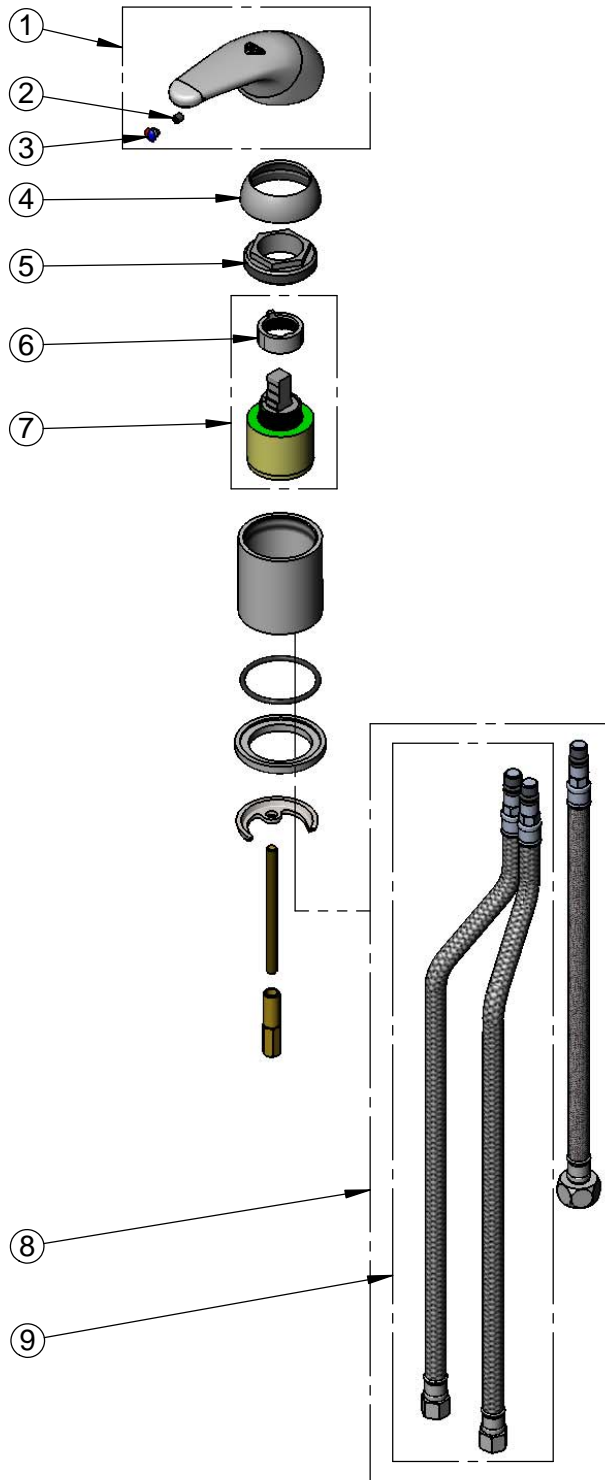


**T&S BRASS AND BRONZE WORKS, INC.**  
 2 Saddleback Cove / P.O. Box 1088  
 Travelers Rest, SC 29690

Model No.  
**B-2740**

Item No.

Travelers Rest, SC: 800-476-4103 • Simi Valley, CA: 800-423-0150 • Fax: 864-834-3518 • www.tsbrass.com



| ITEM NO. | SALES NO. | DESCRIPTION                                   |
|----------|-----------|---|
| 1        | 013113-45 | Single Lever Short Handle                     |
| 2        | 016675-45 | Set Screw                                     |
| 3        | 014173-45 | Index, Temperature                            |
| 4        | 016661-45 | Trim Ring                                     |
| 5        | 016663-45 | Locking Nut                                   |
| 6        | 015400-45 | Temperature Limit Stop                        |
| 7        | 013080-45 | Ceramic Cartridge w/ Temperature Limit Stop   |
| 8        | 013537-45 | Inlet & Outlet Hoses, B-2740                  |
| 9        | 016879-45 | 16" Flexible Stainless Steel Supply Hoses (2) |

Product Specifications:  
 Single Lever Remote On/Off Control Base Faucet, Ceramic Cartridge  
 & (2) 16" Flexible Stainless Steel Supply Hoses

Product Compliance:  
 ASME A112.18.1 / CSA B125.1  
 NSF 61 - Section 9  
 NSF 372 (Low Lead Content)  
 ANSI A117.1 (ADA)