



T&S BRASS AND BRONZE WORKS, INC.
 2 Saddleback Cove / P.O. Box 1088
 Travelers Rest, SC 29690

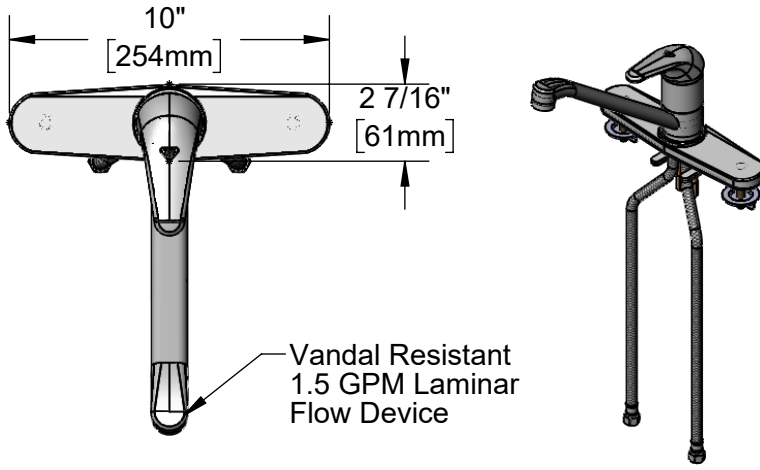
Model No.
B-2731-LF15

Item No.

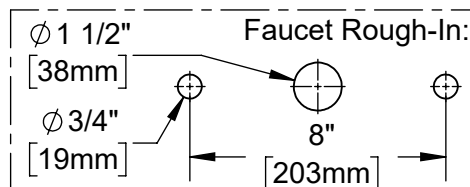
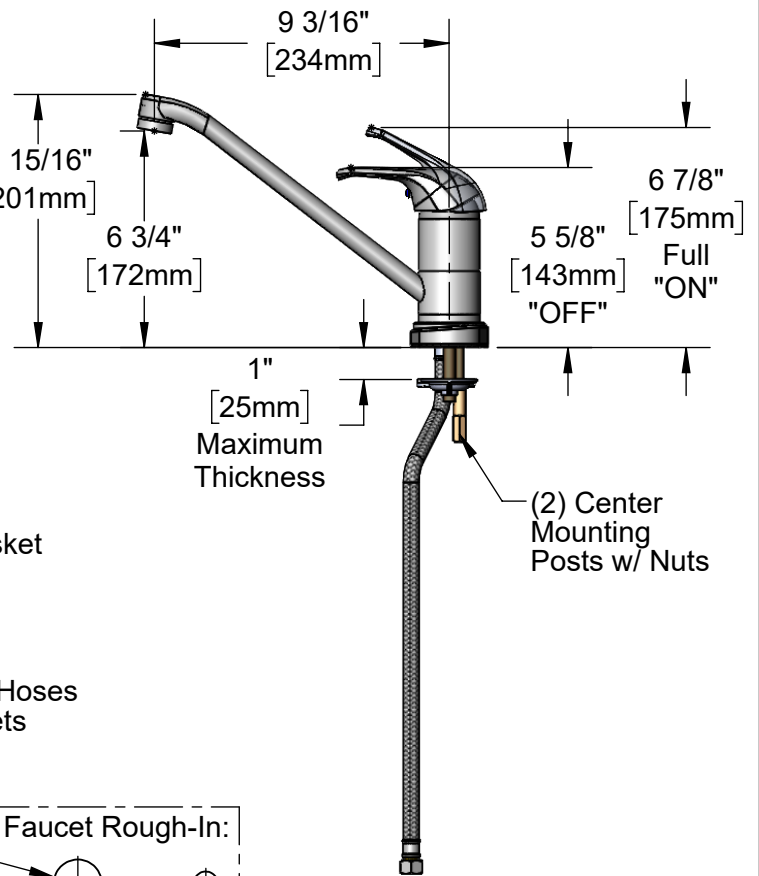
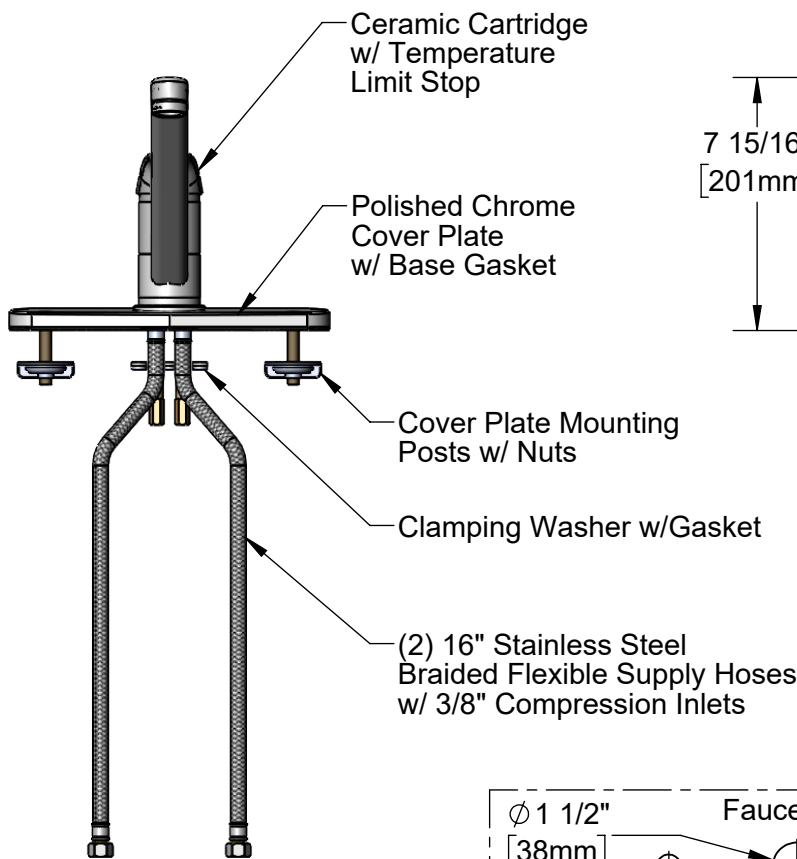
Travelers Rest, SC: 800-476-4103 • Simi Valley, CA: 800-423-0150 • Fax: 864-834-3518 • www.tsbrass.com

This Space for Architect/Engineer Approval

Job Name _____ Date _____
 Model Specified _____ Quantity _____
 Customer/Wholesaler _____
 Contractor _____
 Architect/Engineer _____



ADA Compliant



Product Specifications:
 Single Lever Deck Mount Faucet, 9" Swivel Spout, 1.5 GPM Vandal Resistant Laminar Flow Device, Flexible Supply Hoses, 10" Deckplate, Ceramic Cartridge & Temperature Limit Stop

Product Compliance:
 ASME A112.18.1 / CSA B125.1
 NSF 61 - Section 9
 NSF 372 (Low Lead Content)
 ANSI A117.1 (ADA)
 EPA WaterSense



T&S BRASS AND BRONZE WORKS, INC.

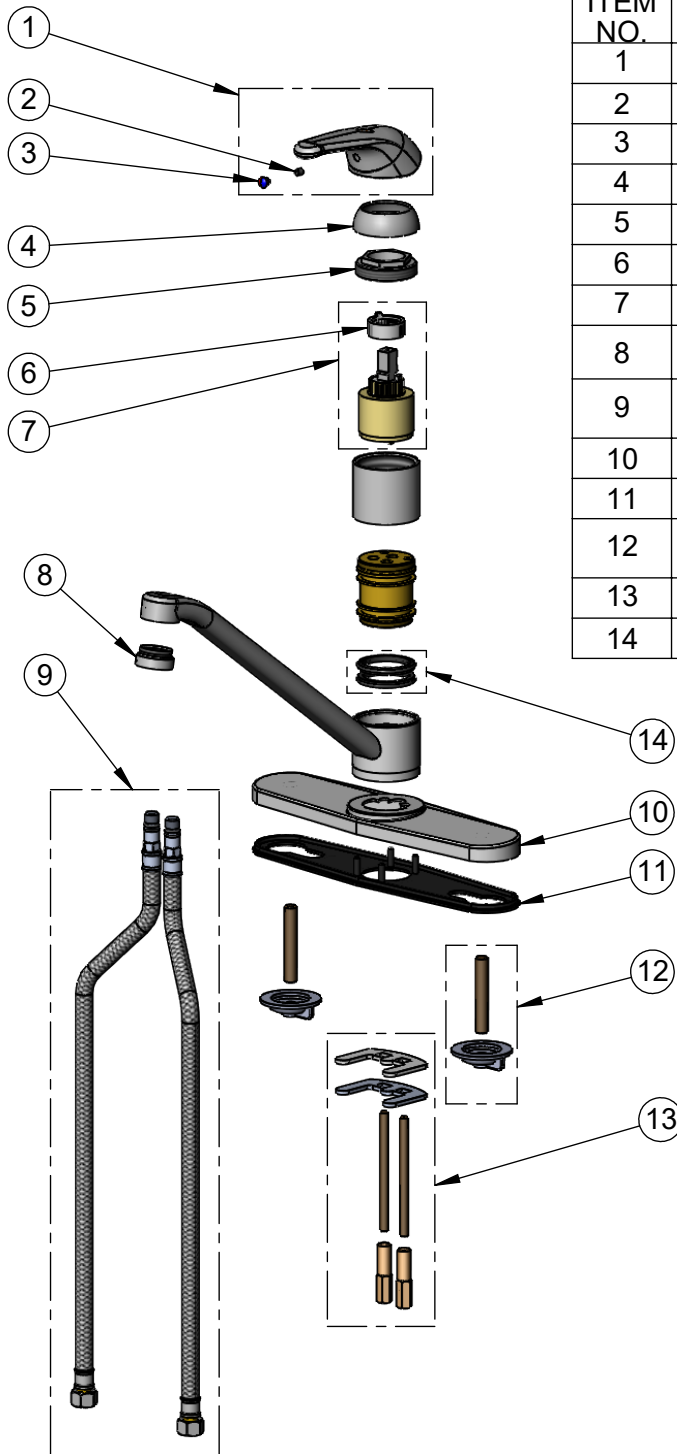
2 Saddleback Cove / P.O. Box 1088
Travelers Rest, SC 29690

Model No.

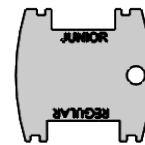
B-2731-LF15

Item No.

Travelers Rest, SC: 800-476-4103 • Simi Valley, CA: 800-423-0150 • Fax: 864-834-3518 • www.tsbrass.com



ITEM NO.	SALES NO.	DESCRIPTION
1	013113-45	Handle, Single Lever
2	016675-45	Set Screw
3	014173-45	Index, Temperature
4	016661-45	Trim Ring
5	016663-45	Locking Nut
6	015400-45	Temperature Limit Stop
7	013080-45	Cartridge
8	B-0199-09-LF15	VR 1.5 GPM Laminar Flow Device
9	016879-45	16" Supply Hoses w/ 3/8" Compression Inlets (2)
10	014161-45	Deck Plate
11	014160-45	Deck Plate Gasket
12	014162-45	Mounting Post & Nut Kit (Set of 2)
13	014163-45	Center Mounting Kit
14	017150-45K	Base Seal (2)



015425-45
Vandal Resistant
Aerator Key

Product Specifications:

Single Lever Deck Mount Faucet, 9" Swivel Spout, 1.5 GPM Vandal Resistant Laminar Flow Device, Flexible Supply Hoses, 10" Deckplate, Ceramic Cartridge & Temperature Limit Stop

Product Compliance:

ASME A112.18.1 / CSA B125.1
NSF 61 - Section 9
NSF 372 (Low Lead Content)
ANSI A117.1 (ADA)
EPA WaterSense