



T&S BRASS AND BRONZE WORKS, INC.
 2 Saddleback Cove / P.O. Box 1088
 Travelers Rest, SC 29690

Model No.

B-2710-WS-VR

Item No.

Travelers Rest, SC: 800-476-4103 • Simi Valley, CA: 800-423-0150 • Fax: 864-834-3518 • www.tsbrass.com



ADA Compliant



This Space for Architect/Engineer Approval

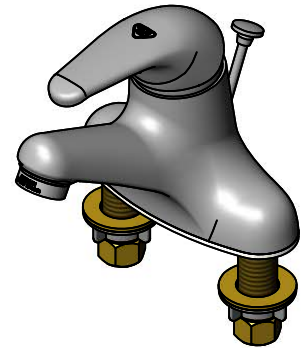
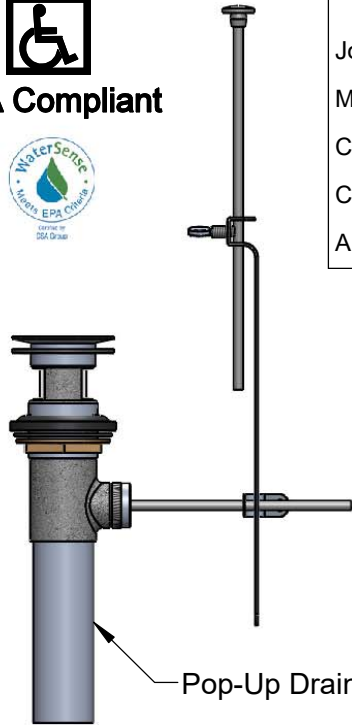
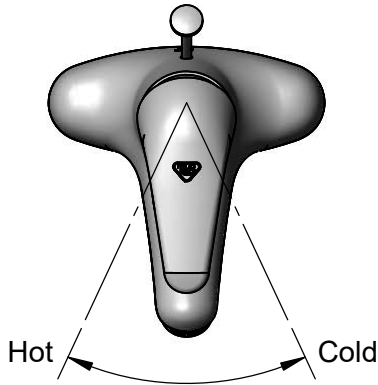
Job Name _____ Date _____

Model Specified _____ Quantity _____

Customer/Wholesaler _____

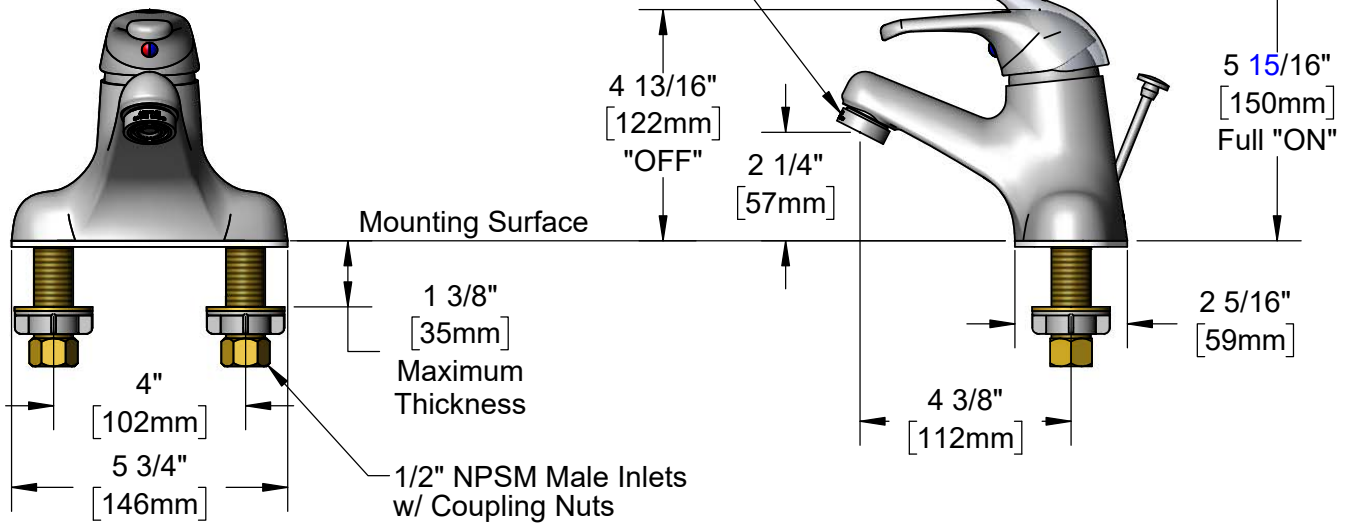
Contractor _____

Architect/Engineer _____



B-0199-09-WS

1.5 GPM Vandal Resistant Aerator



Rough-In Requirement:

Faucet: (3) 1" [25mm] Diameter Mounting Holes

Pop-Up Drain: Fits Sinks with ϕ 1 7/16" [36mm] to ϕ 1 3/4" [44mm] Drain Hole

Product Specifications:

4" Deck Mount Single Lever Faucet, Ceramic Cartridge, Temperature Limit Stop, 1.5 GPM Vandal Resistant Aerator, Pop-Up Drain & 1/2" NPSM Male Inlets

Product Compliance:

ASME A112.18.1 / CSA B125.1
 NSF 61 - Section 9
 NSF 372 (Low Lead Content)
 ANSI A117.1 (ADA)
 EPA WaterSense

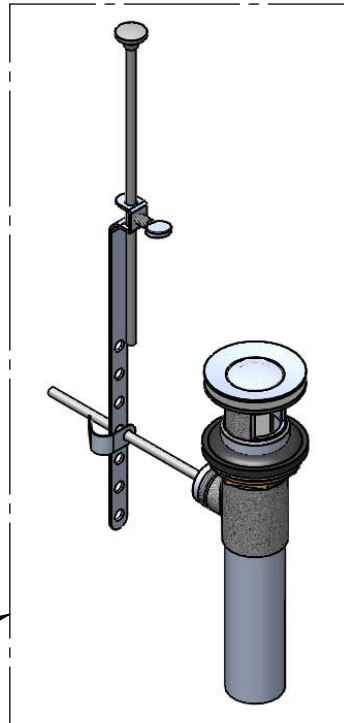
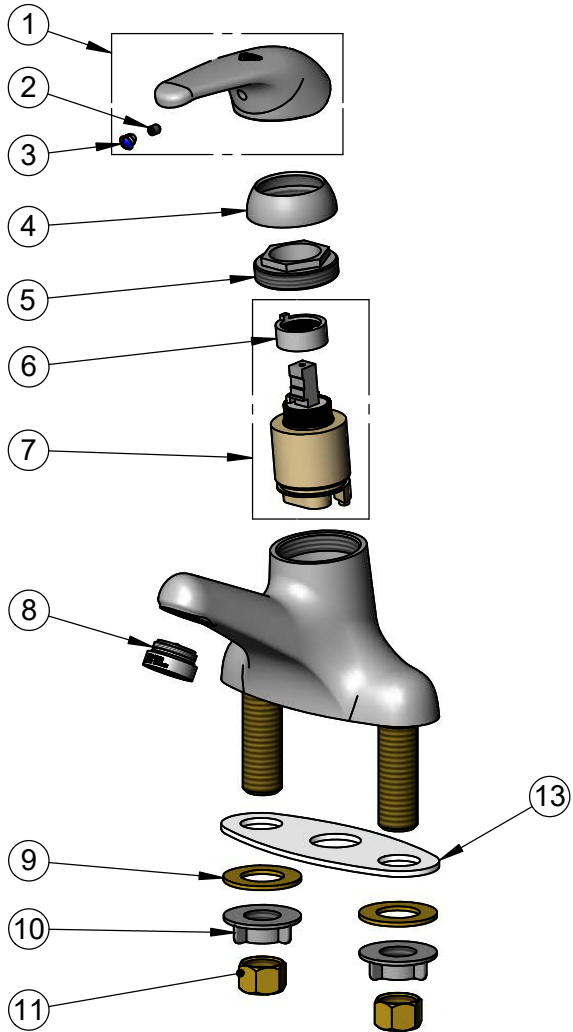


T&S BRASS AND BRONZE WORKS, INC.
 2 Saddleback Cove / P.O. Box 1088
 Travelers Rest, SC 29690

Model No.
B-2710-WS-VR
 Item No.

Travelers Rest, SC: 800-476-4103 • Simi Valley, CA: 800-423-0150 • Fax: 864-834-3518 • www.tsbrass.com

ITEM NO.	SALES NO.	DESCRIPTION
1	013113-45	Handle, Single Lever
2	016675-45	Set Screw
3	014173-45	Index, Temperature
4	016661-45	Trim Ring
5	016663-45	Locking Nut
6	015400-45	Temperature Limit Stop
7	013111-45	Ceramic Cartridge
8	B-0199-09-WS	VR 1.5 GPM Aerator, 15/16-27 UN Male w/ Key
9	000999-45	Brass Lock Washer
10	016673-45	Shank Nut
11	000958-20	Coupling Nut
12	B-0898	Pop-Up Drain
13	014167-45	Deck Gasket



015425-45
 Vandal Resistant Key

Product Specifications:
 4" Deck Mount Single Lever Faucet, Ceramic Cartridge, Temperature Limit Stop, 1.5 GPM Vandal Resistant Aerator, Pop-Up Drain & 1/2" NPSM Male Inlets

Product Compliance:
 ASME A112.18.1 / CSA B125.1
 NSF 61 - Section 9
 NSF 372 (Low Lead Content)
 ANSI A117.1 (ADA)
 EPA WaterSense