



T&S BRASS AND BRONZE WORKS, INC.

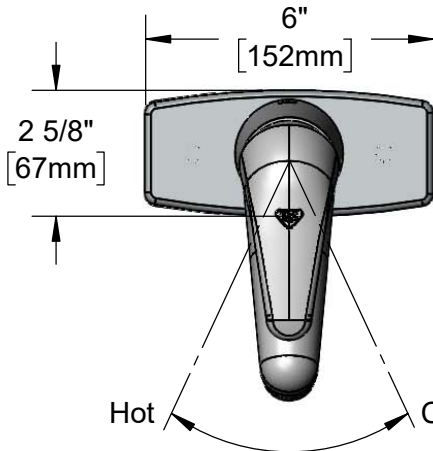
2 Saddleback Cove / P.O. Box 1088
Travelers Rest, SC 29690

Model No.

B-2703-VF22

Item No.

Travelers Rest, SC: 800-476-4103 • Simi Valley, CA: 800-423-0150 • Fax: 864-834-3518 • www.tsbrass.com



ADA Compliant

This Space for Architect/Engineer Approval

Job Name _____ Date _____

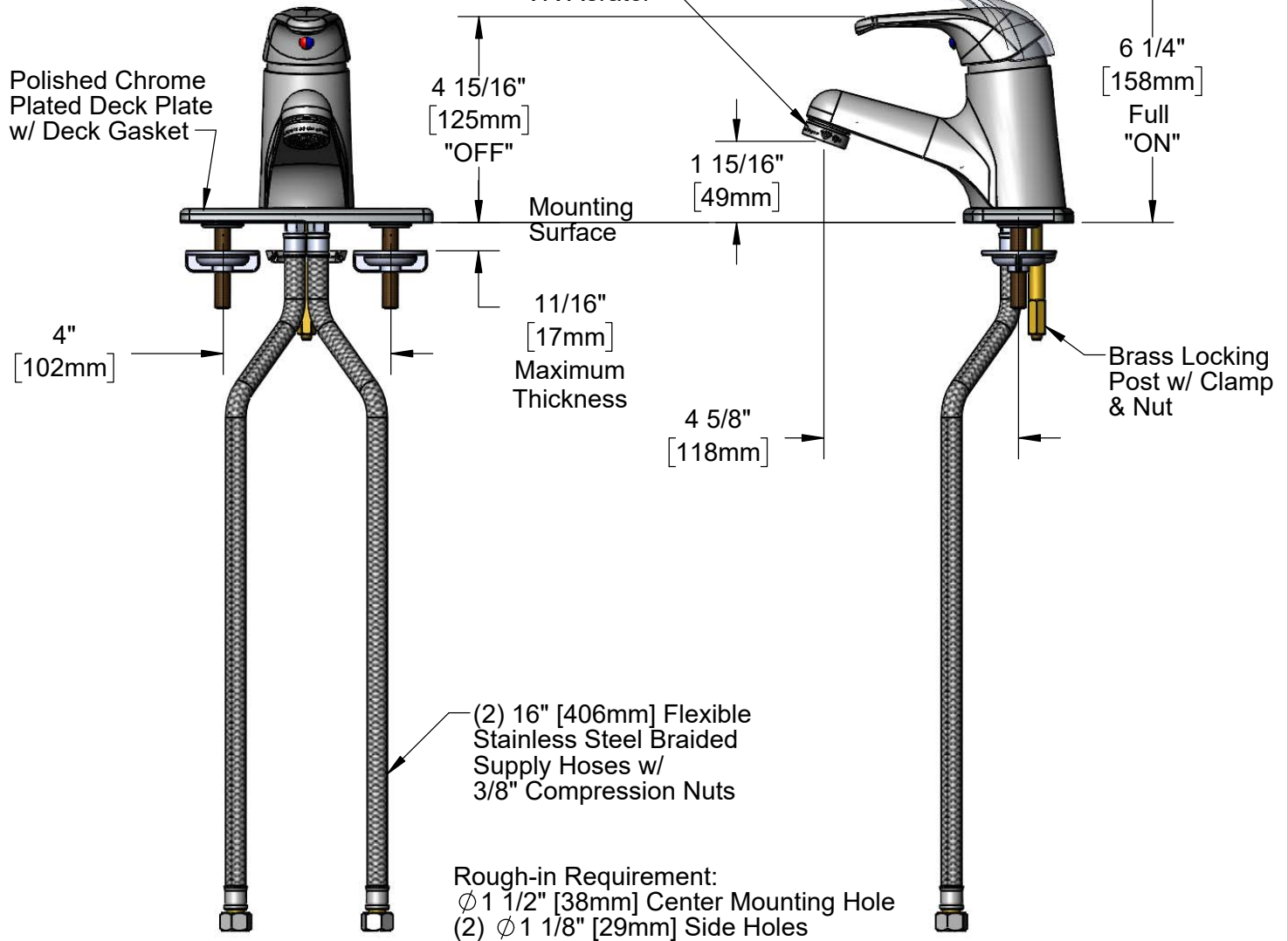
Model Specified _____ Quantity _____

Customer/Wholesaler _____

Contractor _____

Architect/Engineer _____

Polished Chrome
Plated Deck Plate
w/ Deck Gasket



(2) 16" [406mm] Flexible
Stainless Steel Braided
Supply Hoses w/
3/8" Compression Nuts

Rough-in Requirement:
Ø 1 1/2" [38mm] Center Mounting Hole
(2) Ø 1 1/8" [29mm] Side Holes

Product Specifications:

Single Hole Single Lever Deck Mount Faucet, Ceramic Cartridge, Temperature Limit Stop, 2.2 GPM VR Aerator, 4" Forged Deck Plate & (2) 16" Flexible Stainless Steel Braided Supply Hoses

Product Compliance:

ASME A112.18.1 / CSA B125.1
NSF 61 - Section 9
NSF 372 (Low Lead Content)
ANSI A117.1 (ADA)

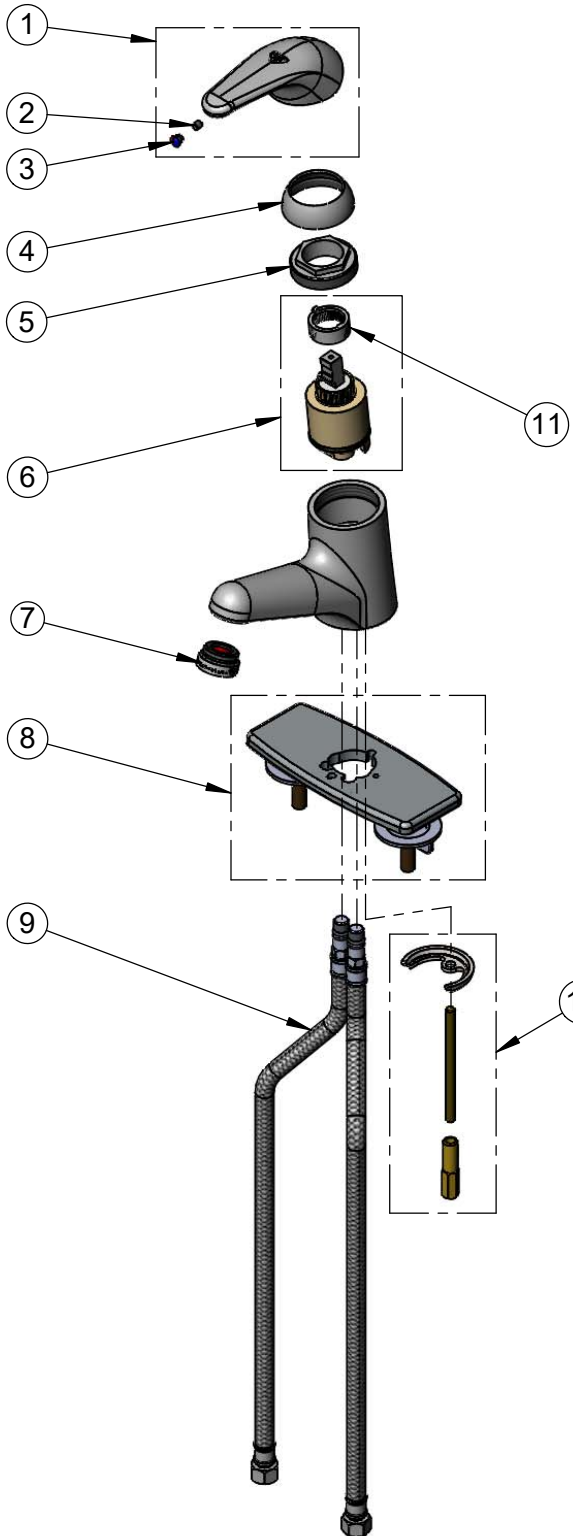


T&S BRASS AND BRONZE WORKS, INC.
 2 Saddleback Cove / P.O. Box 1088
 Travelers Rest, SC 29690

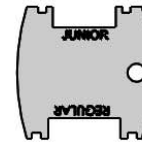
Model No.
B-2703-VF22

Item No.

Travelers Rest, SC: 800-476-4103 • Simi Valley, CA: 800-423-0150 • Fax: 864-834-3518 • www.tsbrass.com



| ITEM NO. | SALES NO. | DESCRIPTION |
|----------|-----------|--|
| 1 | 013113-45 | Single Lever Handle |
| 2 | 016675-45 | Set Screw |
| 3 | 014173-45 | Temperature Index |
| 4 | 016661-45 | Trim Ring |
| 5 | 016663-45 | Locking Nut |
| 6 | 013111-45 | Ceramic Cartridge w/ Temperature Limit Stop |
| 7 | B-0199-09 | VR 2.2 GPM Aerator, 15/16-27 Male w/ Key |
| 8 | 013433-40 | 4" Universal Deck Plate, Gasket & Mounting Hardware |
| 9 | 016879-45 | (2) 16" Flexible Stainless Steel Braided Supply Hoses w/ 3/8" Compression Nuts |
| 10 | 019116-45 | Mounting Hardware Kit |
| 11 | 015400-45 | Temperature Limit Stop |



015425-45
 Vandal Resistant Key

Product Specifications:

Single Hole Single Lever Deck Mount Faucet, Ceramic Cartridge, Temperature Limit Stop, 2.2 GPM VR Aerator, 4" Forged Deck Plate & (2) 16" Flexible Stainless Steel Braided Supply Hoses

Product Compliance:

ASME A112.18.1 / CSA B125.1
 NSF 61 - Section 9
 NSF 372 (Low Lead Content)
 ANSI A117.1 (ADA)